

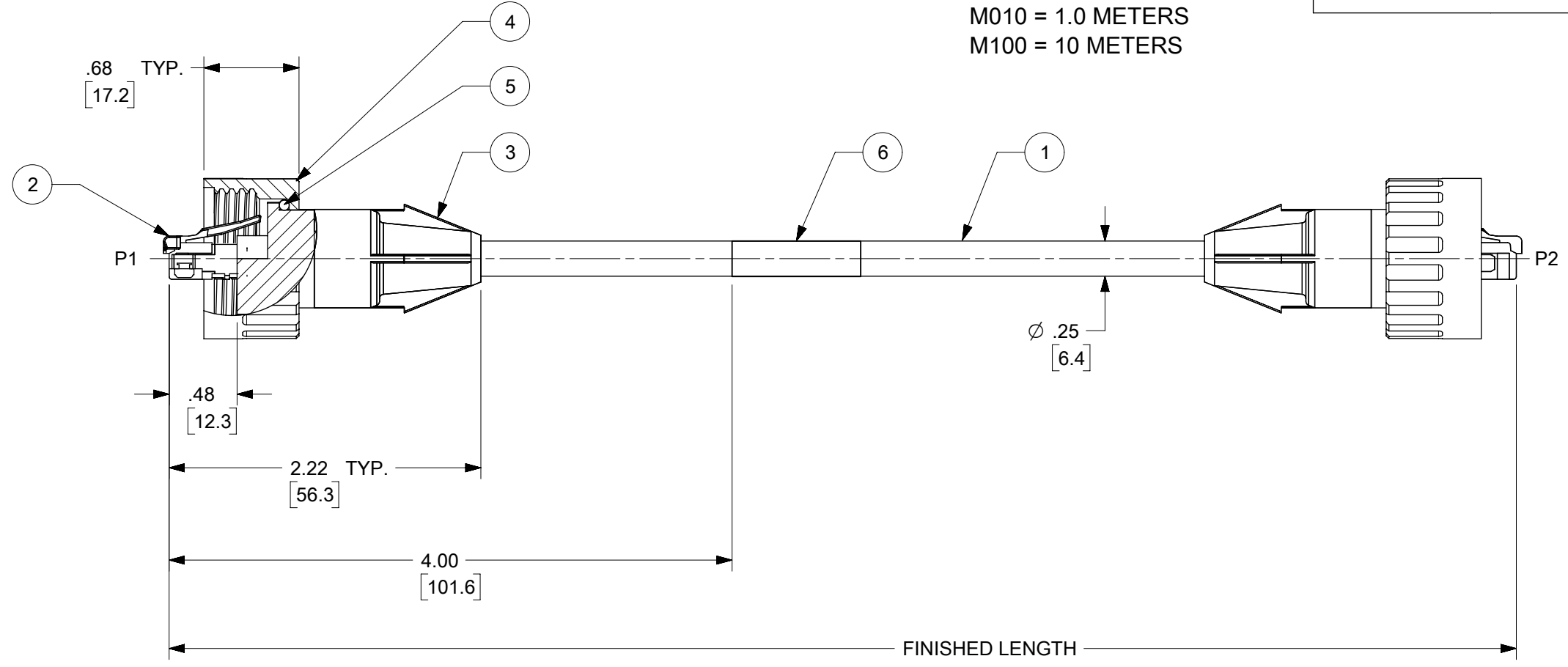
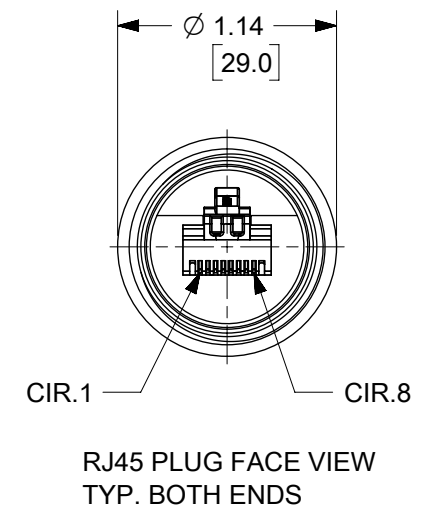
PART NO.	ENG. NO.	FINISHED LENGTH
1300500335	ENS2115M006	0.6M [2 FT]
1300500336	ENS2115M010	1M [3 FT 3 IN]
1300500341	ENS2115M050	5M [16 FT 5 IN]
1300500346	ENS2115M100	10M [32 FT 10 IN]

CABLE LENGTH TOLERANCES	
>.3M [1FT]:	+19mm-0 [+ .75in-0]
.3 - .9M [1 - 3FT]:	+44.5mm-0 [+1.75in-0]
.9 - 1.8M [3 - 6FT]:	+55.6mm-0 [+2.19in-0]
1.8 - 3.7M [6 - 12FT]:	+88.9mm-0 [+3.50in-0]
3.7 - 7.3M [12 - 24FT]:	+165.1mm-0 [+6.50in-0]
7.3-14.6M [24 - 48FT]:	+317.5mm-0 [+12.50in-0]
14.6 - 30.5M [48-100FT]:	+622.3mm-0 [+24.50in-0]
OVER 30M [100FT]	+2% OF FINISHED LENGTH

PART NUMBER MATRIX

ENS2115M006

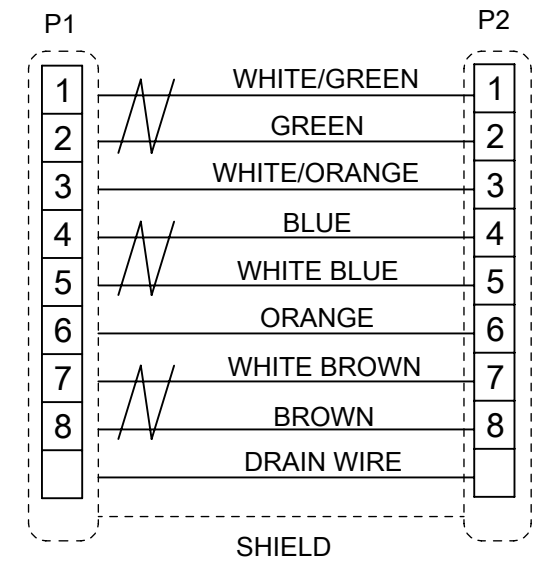
LENGTH
M001 = .1 METERS
M010 = 1.0 METERS
M100 = 10 METERS



- NOTES:
- MATERIAL: AS NOTED
 - FINISH: AS NOTED
 - ELECTRICAL:
VOLTAGE: 125V DC
CURRENT: 1.5A
 - TEMP RATING: -20°TO +75°C
 - PROTECTION: IP67 (WHEN MATED)
 - COUPLING THREAD: 1-14 UNS
 - ALL DIMS ARE FOR REFERENCE UNLESS TOLERANCED OR NOTED OTHERWISE

ITEM	DESCRIPTION	MATERIAL	FINISH
6	LABEL	VINYL	BLACK/YELLOW
5	O-RING	VITON	BROWN
4	COUPLING NUT	ABS	BLACK
3	OVERMOLD	PUR	BLACK
2	RJ45 PLUG	PC/Cu ALLOY	CLEAR/GOLD PLATED
1	CABLE, 24AWG, 4PR, CAT5E	PUR	BLACK

568-A WIRE DIAGRAM



FUNCTIONAL SYMBOLS	THIS DRAWING CONTAINS INFORMATION THAT IS PROPRIETARY TO MOLEX ELECTRONIC TECHNOLOGIES, LLC AND SHOULD NOT BE USED WITHOUT WRITTEN PERMISSION		CURRENT REV DESC: INITIAL RELEASE	
	DIMENSION UNITS	SCALE		
$\nabla = 0$	INCH	1:1		
DIVISIONAL SYMBOLS	GENERAL TOLERANCES (UNLESS SPECIFIED)			
		MM	INCH	
$\nabla = 0$	4 PLACES	±	±	
$\nabla = 0$	3 PLACES	±	±	
	2 PLACES	±	±	
	1 PLACE	±	±	
	0 PLACES	±	±	
	ANGULAR TOL	±	°	
DRAFT WHERE APPLICABLE MUST REMAIN WITHIN DIMENSIONS		THIRD ANGLE PROJECTION	DRAWING	SHEET NUMBER
			B-SIZE	130050
		MATERIAL NUMBER		CUSTOMER
		SEE P/N MATRIX		GENERAL MARKET
		DOCUMENT NUMBER		DOC TYPE
		1300500010		PSD
		DOC PART		REVISION
		000		A
		SHEET NUMBER		
				1 OF 1

6

5

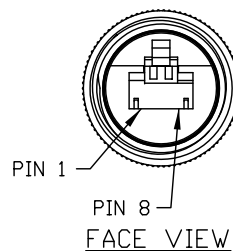
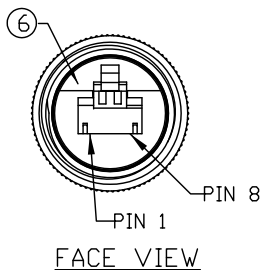
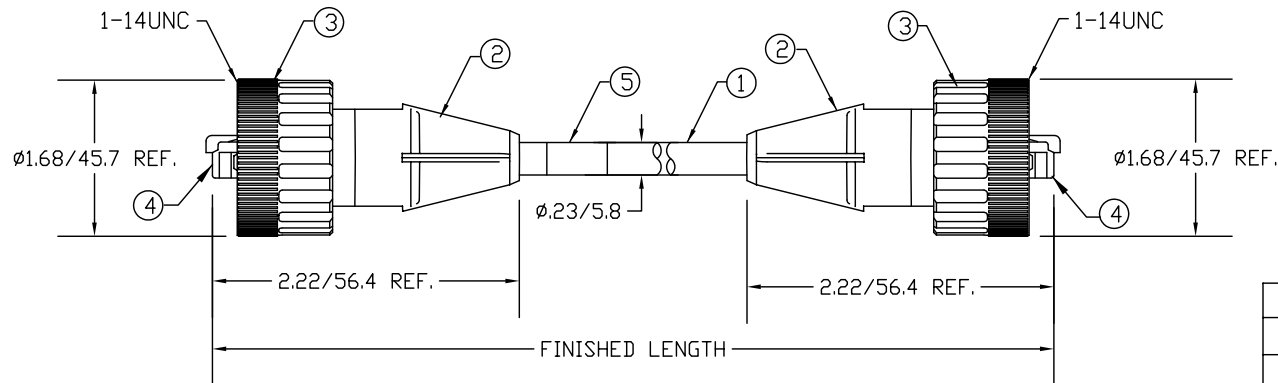
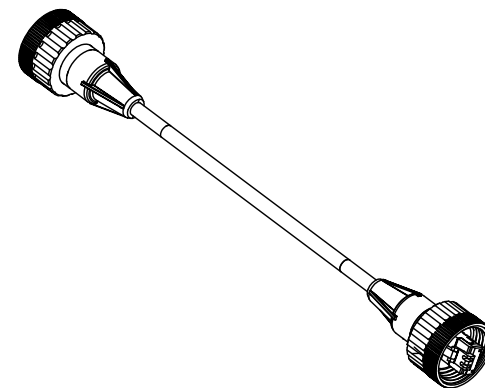
4

3

2

1

MATERIAL NUMBER	OLD PART NUMBER	FINISHED LENGTH
1300500336	ENS2115M010	3.28' +2.19' -0 [1.0M +55.6 -0]



1	WHITE/GREEN	1
2	GREEN	2
3	WHITE/ORANGE	3
4	BLUE	4
5	WHITE/BLUE	5
6	ORANGE	6
7	WHITE/BROWN	7
8	BROWN	8
SHD	DRAIN WIRE	SHD

WIRING DIAGRAM

VOLTAGE RATING	125 VDC
AMPERAGE RATING	1.5 AMPS
PROTECTION	IP67
OPERATING TEMPERATURE	-20°C TO 80°C

ITEM	QTY.	DESCRIPTION	MATERIAL	FINISH
6	2	D-RING	VITON	BLACK
5	1	LABEL	PLASTIC FILM	BLACK/YELLOW
4	2	RJ45 PLUG	POLYCARBONATE	CLEAR
3	2	COUPLING NUT	ABS	BLACK
2	2	OVERMOLD	PUR	BLACK
1	1	ETHERNET CABLE-CATSE	PUR JACKET	BLACK

EC NO: WNA2010-0442
 DRWN: TVICKERS 2010/01/18
 CHKD: B.WOODMA
 APPR: DTTITUS 2010/01/19

QUALITY SYMBOLS
 ▽=0
 ▽C=0

GENERAL TOLERANCES (UNLESS SPECIFIED)

	mm	INCH
4 PLACES	±---	±---
3 PLACES	±---	±.005
2 PLACES	±0.13	±.010
1 PLACE	±0.25	±.020

ANGULAR ±1/2°

DRAFT WHERE APPLICABLE MUST REMAIN WITHIN DIMENSIONS

DIMENSION STYLE IN/MM

SCALE 1:1

DESIGN UNITS INCH

THIRD ANGLE PROJECTION

DRAWN BY DATE

TITLE

CHECKED BY DATE

B.WOODMA 2010/01/18

APPROVED BY DATE

DTITUS 2010/01/19

MOLEX INCORPORATED

MATERIAL NO.

DOCUMENT NO. SD-130050-032

SHEET NO.

1 OF 1

SIZE A

THIS DRAWING CONTAINS INFORMATION THAT IS PROPRIETARY TO MOLEX INCORPORATED AND SHOULD NOT BE USED WITHOUT WRITTEN PERMISSION

6

5

4

3

2

1

E

E

D

D

C

C

B

B

A

A