

PART No MATRIX

8 8 4 0 P 6 X X X M X X X X X

OPTIONS :

88 = M12x1
DOUBLE ENDED

POLES:
4 = 4 Poles

HEAD STYLE:
OP6 = Female Straight PNP
LED / Male Straight

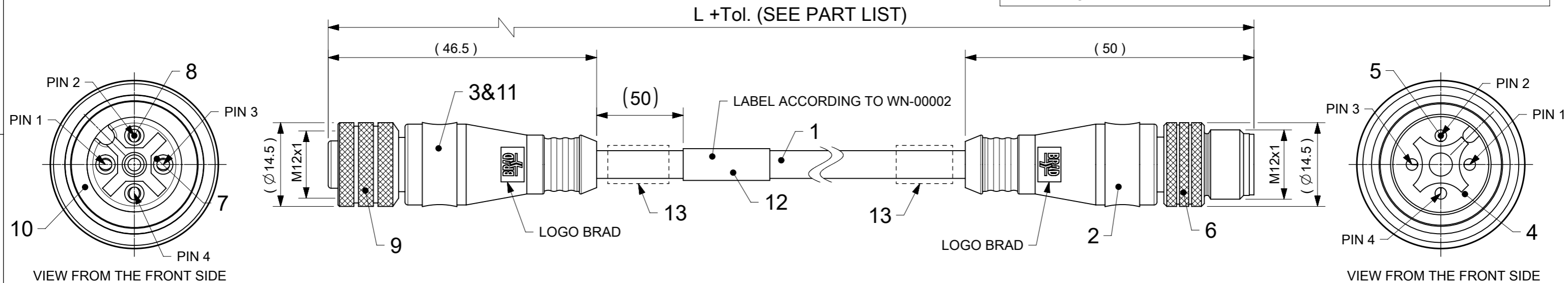
CABLE TYPE
SEE TABLE 1

UNITS:
M = Meter

LENGTH EXAMPLES:
005 = 0.5 m
010 = 1 m
020 = 2 m
050 = 5 m
100 = 10 m
150 = 15 m
200 = 20 m

H = 2 PCS. OF I/D CARRIER
FOR CABLE Ixx & P82
COUPLIN NUT:
BLANK = KNU
& 3=Knurled Brass Ni Plated
1 = Hexagonal Stainless steel
5 = Knurled Derlin
7 = Knurled Brass Ni Plated, Teflon Coated
Blank =7
for cables:
I20, I26, K03, K05, P82, S26
8=Type 316 stainless steel
9 = Hexagonal Brass Ni Plated SW13

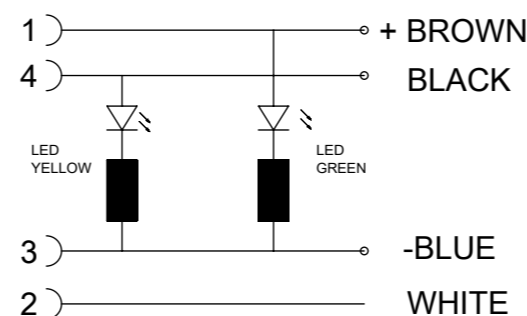
Overmold color:
Blank (Standard)= TPU:
FEMALE -CLEAR
MALE - BLACK
YELLOW FOR CABLES
A09, S19, S20, S26, K03, K05
A= GY
G= BK
Y= YE



BOM

ITEM	QTY	DESCRIPTION	MATERIAL	FINISH/COLOR
13	SEE MATRIX	I/D CARRIER (SEE MATRIX)	PVC	TRANSPARENT
12	1	LABEL WRAP	VINYL	YELLOW
11	1	PNP LED PCB	-	-
10	1	GASKET	FPM	RED
9	1	M12 FEMALE COUPLING NUT	SEE MATRIX	SEE MATRIX
8	4	CONTACT 10 FE	BRONZE	GOLD OVER Ni-PLATED
7	1	INSERT M12 FE 4P	TPU	BLACK
6	1	M12 MALE COUPLING NUT	SEE PN MATRIX	SEE PN MATRIX
5	4	CONTACT 10 MA	BRONZE	GOLD OVER Ni-PLATED
4	1	INSERT M12 MA 4P	ELASTOLLAN	BLACK
3	-	MOULDING MATERIAL	TPU	TRANSPARENT
2	-	MOULDING MATERIAL	TPU	SEE PN MATRIX
1	-	CABLE	SEE CABLE LIST	

PNP WIRING DIAGRAM



FUNCTIONAL SYMBOLS	DIMENSION UNITS	SCALE	CURRENT REV DESC:
$\nabla/\bar{A} = 0$	mm	1.5:1	<p>EC NO: 638963 DRWN: MDHARMANTI 2020/06/02 CHK'D: RSILLER 2020/06/04 APPR: RSILLER 2020/06/04</p> <p>INITIAL REVISION: DRWN: MDHARMANTI 2020/06/02 APPR: RSILLER 2020/06/04</p>
$\nabla/\bar{E} = 0$	GENERAL TOLERANCES (UNLESS SPECIFIED)		
$\nabla/\bar{V} = 0$	ANGULAR TOL $\pm 1.0^\circ$		
	4 PLACES	\pm	
DIVISIONAL SYMBOLS	3 PLACES	\pm	<p>DOCUMENT NUMBER: 1200678091 DOC TYPE: PSD DOC PART: 000 REVISION: A</p>
	2 PLACES	± 0.05	
	1 PLACE	± 0.3	
	0 PLACES	± 0.5	<p>DRAFT WHERE APPLICABLE MUST REMAIN WITHIN DIMENSIONS</p> <p>THIRD ANGLE PROJECTION</p> <p>DRAWING: A3-SIZE SERIES: 120067 MATERIAL NUMBER: SEE SHEET 2 CUSTOMER: GENERAL MARKET SHEET NUMBER: 1 OF 2</p>

TABLE 1

CABLE TYPE	NO. OF WIRES	CROSS SECTION	CABLE JACKET	UL	CSA	STATIC: TEMP. / BENDING RADIUS	DYNAMIC: TEMP. / BENDING RADIUS	DRAG CHAIN	SHIELD
E03	3 / 4 / 5	0.34mm ²	PVC BLACK	UL 2464/1729	C22.2 I/II A/B 80°C/300V	-30°C to +80°C, 10xO.D.	-10°C to +80°C, 15xO.D.	-	-
H09	3 / 4 / 5	0.34mm ²	PUR BLACK LS0H	UL 21198/10493	C22.2 I/II A/B 80°C/300V	-40°C to +80°C, 5xO.D.	-25°C to +80°C, 10xO.D.	2 000 000 cycles at 20°C, Temp. range +5°C to +60°C	-
P03	3 / 4 / 5	0.34mm ²	PUR / PVC BLACK	-	-	-30°C to +80°C, 7xO.D.	-5°C to +80°C, 15xO.D.	-	-
P82	3 / 4 / 5	0.34mm ²	PUR IRR ORANGE	-	-	-50°C to +105°C, >5xO.D.	-40°C to +105°C, >7.5xO.D.	-	-

NOTE:

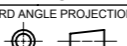
- IF IN MATRIX IS "H" - ADD ID-CARRIERS ON THE BOTH SIDES HARNESS.

PART LIST

Lp.	MOLEX PN	ENGINEERING No	L+Tol. [mm]
1	1200675241	8840P6E03M010	1000
2	1200678090	8840P6E03M030	3000
3	1200678091	8840P6P82M030	3000
4	1200678174	8840P6P82M0107	1000
5	1200678183	8840P6P03M006	600
6	1200678195	8840P6P03M020	2000
7	1200678220	8840P6P03M100	10000
8	1200678255	8840P6P03M010	1000
9	1200678256	8840P6P03M030	3000
10	1200678257	8840P6P03M050	5000
11	1200678333	8840P6H09M010	1000
12	1200678447	8840P6E03M020	2000
13	1200678448	8840P6E03M050	5000
14	1200678449	8840P6E03M100	10000

ELECTRICAL DATA :
 VOLTAGE RATING : 250V
 AMPERAGE RATING : 4A
 INSULATION RESISTANCE : 10⁸Ω MIN.
 MATING CYCLES : MIN. 100
 ENVIRONMENTAL :
 IP PROTECTION CLASS : IP67
 OPERATING TEMPERATURE : SEE TABLE 1

OVER	UP TO AND INCLUDING	TOLERANCE
0	305	+19
305	915	+45
915	1830	+56
1830	3660	+89
3660	7320	+165
7320	14640	+317
14640	30500	+610
30500	>	+2% OF LENGTH

FUNCTIONAL SYMBOLS	THIS DRAWING CONTAINS INFORMATION THAT IS PROPRIETARY TO MOLEX ELECTRONIC TECHNOLOGIES, LLC AND SHOULD NOT BE USED WITHOUT WRITTEN PERMISSION	
$\nabla/A = 0$ $\nabla/E = 0$ $\nabla/Z = 0$	DIMENSION UNITS: mm SCALE: 1:1 GENERAL TOLERANCES (UNLESS SPECIFIED) ANGULAR TOL ± 1.0° 4 PLACES ± 3 PLACES ± 2 PLACES ± 0.05 1 PLACE ± 0.3 0 PLACES ± 0.5	CURRENT REV DESC: EC NO: 638963 DRWN: MDHARMANTI 2020/06/02 CHK'D: RSILLER 2020/06/04 APPR: RSILLER 2020/06/04 INITIAL REVISION: DRWN: MDHARMANTI 2020/06/02 APPR: RSILLER 2020/06/04
DIVISIONAL SYMBOLS	THIRD ANGLE PROJECTION 	
DRAFT WHERE APPLICABLE MUST REMAIN WITHIN DIMENSIONS		DRAWING: A3-SIZE SERIES: 120067 MATERIAL NUMBER: SEE SHEET 2 CUSTOMER: GENERAL MARKET SHEET NUMBER: 2 OF 2



CSE M12 LED PNP 4P AC FE STR PUR
 MA STR XM

PRODUCT CUSTOMER DRAWING

DOCUMENT NUMBER	DOC TYPE	DOC PART	REVISION
1200678091	PSD	000	A