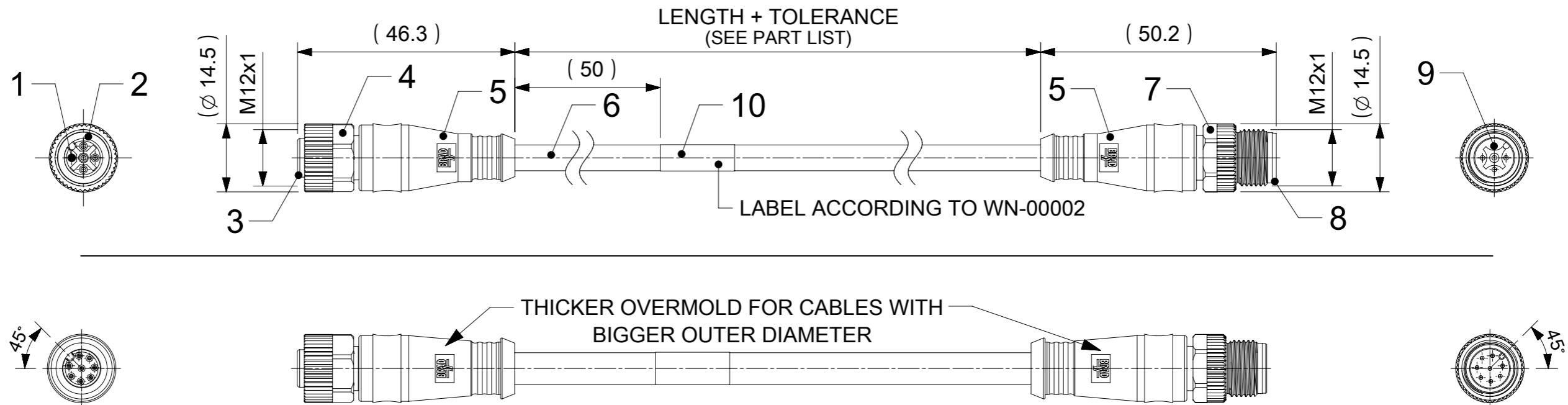
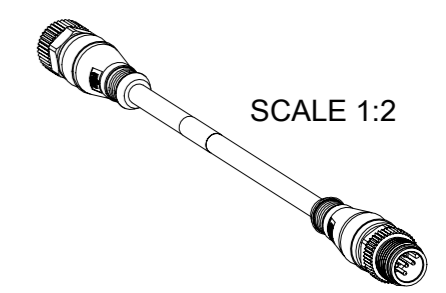


FEMALE PLUG M12 STRAIGHT TO MALE PLUG M12 STRAIGHT



NOTES:

- CONTACT CURRENT RATING: 3-5 POLES 4A
8 POLES 2A
- VOLTAGE RATING: 3-4 POLES 250V
5 POLES 60V DC
8 POLES 30V
- PROTECTION CLASS: IP 67
- TEMPERATURE: -25°C / +85°C



CONTACT POSITION FRONT VIEW:

| CABLE | 3 POLES | | 4 POLES | | 5 POLES | | 5 POLES | | 8 POLES | |
|-------------|----------|-------|--------------------|-------|--------------------|-------|---------|--------------|----------|--------|
| | B30, B55 | | B30, B33, B36, B55 | | B30, B33, B36, B55 | | B42 | | B41, B49 | |
| FEMALE | | | | | | | | | | |
| MALE | | | | | | | | | | |
| CONNECTIONS | PIN | WIRE | PIN | WIRE | PIN | WIRE | PIN | WIRE | PIN | WIRE |
| | 1 | BROWN | 1 | BROWN | 1 | BROWN | 1 | BROWN | 1 | WHITE |
| | 2 | --- | 2 | WHITE | 2 | WHITE | 2 | WHITE | 2 | BROWN |
| | 3 | BLUE | 3 | BLUE | 3 | BLUE | 3 | BLUE | 3 | GREEN |
| | 4 | BLACK | 4 | BLACK | 4 | BLACK | 4 | BLACK | 4 | YELLOW |
| | 5 | --- | 5 | --- | 5 | GREY | 5 | GREEN/YELLOW | 5 | GREY |
| | | | | | | | 5 | | 6 | PINK |
| | | | | | | | | | 7 | BLUE |
| | | | | | | | | 8 | RED | |

CODING REQUIRED TO IEC 61076-2-101

FOR OPTIONS SEE - NUMERICAL CODE - ON SHEET 2

| ITEM | QTY. | DESCRIPTION | MATERIAL | FINISH |
|------|-----------|---------------------|-------------|----------------------------|
| 10 | 1 | LABEL OR PRINTING | VINYL / --- | --- |
| 9 | 3 / 4 / 5 | CONTACT M12 MALE | COPPER | SELECTIVE GOLD OVER NICKEL |
| | 8 | | BRASS | SELECTIVE GOLD OVER NICKEL |
| 8 | 1 | INSERT MALE BLACK | TPU | --- |
| 7 | 1 | COUPLING NUT MALE | SEE SHEET 2 | SEE SHEET 2 |
| 6 | - | CABLE | SEE SHEET 2 | --- |
| 5 | - | OVERMOULDING | TPU | SEE SHEET 2 |
| 4 | 1 | COUPLING NUT FEMALE | SEE SHEET 2 | SEE SHEET 2 |
| 3 | 1 | INSERT FEMALE BLACK | PUR | --- |
| 2 | 1 | ORING RED | FPM | --- |
| | | | | |
| 1 | 3 / 4 / 5 | CONTACT M12 FEMALE | BRONZE | SELECTIVE GOLD OVER NICKEL |
| | 8 | | BRASS | SELECTIVE GOLD OVER NICKEL |

THIS DRAWING CONTAINS INFORMATION THAT IS PROPRIETARY TO MOLEX ELECTRONIC TECHNOLOGIES, LLC AND SHOULD NOT BE USED WITHOUT WRITTEN PERMISSION

| | | | | |
|--|------------------------|--|------------|-----------------------------|
| DIMENSION UNITS | SCALE | CURRENT REV DESC: NEW P/N'S ADDED | | |
| mm | 1:1 | | | |
| GENERAL TOLERANCES (UNLESS SPECIFIED) | | | | |
| ANGULAR TOL | ± 1.0° | CSE M12 XP AC FE STR WSOR MA STR XM DE | | |
| 4 PLACES | ± | EC NO: 687807 | 2021/12/01 | PRODUCT CUSTOMER DRAWING |
| 3 PLACES | ± | DRWN: RSCHIEBER | 2021/12/07 | |
| 2 PLACES | ± 0.05 | CHK'D: RSILLER | 2021/12/07 | DOCUMENT NUMBER: 1200668993 |
| 1 PLACE | ± 0.3 | APPR: RSILLER | 2021/12/07 | |
| 0 PLACES | ± 0.5 | INITIAL REVISION: | 2016/07/22 | DOC PART: 000 |
| | | DRWN: JMARSZALEK | 2016/08/29 | REVISION: A16 |
| | | APPR: RSILLER | | |
| DRAFT WHERE APPLICABLE MUST REMAIN WITHIN DIMENSIONS | THIRD ANGLE PROJECTION | DRAWING | SERIES | MATERIAL NUMBER |
| | | A3-SIZE | 120066 | SEE SHEET 3 & 4 |
| | | | | CUSTOMER |
| | | | | GENERAL MARKET |
| | | | | SHEET NUMBER |
| | | | | 1 OF 4 |

ENGINEERING NO. - NUMERICAL CODE (Available parts see PART LIST table. Other parts available upon request).

OPTIONS

8 8 X 0 3 0 X X X X X X X X

88=M12x1 Double ended

Poles:
3=3 Poles
4=4 Poles
5=5 Poles
8=8 Poles

Heads style:
030=Plug Female Straight to Plug Male Straight

Cable type: See Table

Units:
M=Meter
C=Centimeter
T=10x Meter

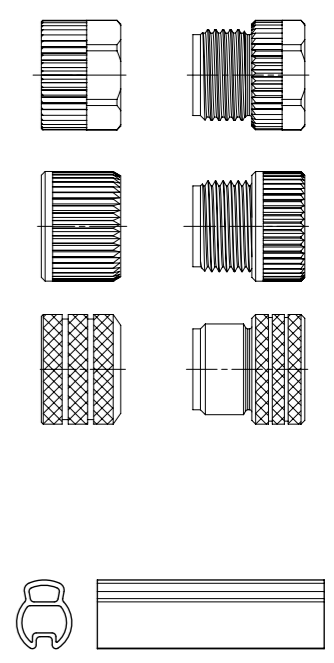
Length
Examples:
005=0.5 units
010=1 units
020=1 units
050=5 units
100=10 units
150=15 units
200=20 units

Overmold color:
Blank (Standard)=Black
A=Grey / G=Black / Y=Yellow / R=Red

Coupling Nut:
Blank (Standard)=Knurled/Hex Brass, Ni Plated
5=Knurled Derlin
7=Knurled Brass Ni Plated, Teflon Coated

H= 2 pcs. of I/D Carrier PVC Transparent
(Cable B36 always with 2 pcs. I/D Carrier)

FEMALE MALE



CABLE INFORMATION (for more information see Cable Data Sheet)

| CABLE TYPE | NO. OF WIRES | CROSS SECTION | CABLE JACKET | UL | CSA | STATIC: TEMP. / BENDING RADIUS | DYNAMIC: TEMP. / BENDING RADIUS | DRAG CHAIN: TEMP. / BENDING RADIUS | DRAG CHAIN | CABLE PRODUCT SPECIFICATION | CABLE SPEC. DRAWING |
|------------|--------------|---------------------|--------------|--------------|-------------------------|--------------------------------|---------------------------------|------------------------------------|-------------------------------------|-----------------------------|---------------------|
| B30 | 3 / 4 / 5 | 0.34mm ² | TPU Black | UL 21215/758 | C22.2 I/II A/B 80°/600V | -40°C to +90°C 5xO.D. | -25°C to +80°C 7.5xO.D. | -5°C to +60°C 7.5xO.D. | up to 5 000 000 cycles at temp 20°C | 1552200001 | SD-120209-001 |
| B33 | 4 / 5 | 0.34mm ² | TPU Gray | | | | | | | | SD-120209-001 |
| B36 | 4 / 5 | 0.34mm ² | TPU Orange | | | | | | | | SD-120209-001 |
| B41 | 8 | 0.25mm ² | TPU Black | | | | | | | | SD-120209-006 |
| B42 | 5 | 0.34mm ² | TPU Black | | | | | | | | SD-120209-001 |
| B49 | 8 | 0.25mm ² | TPU Orange | | | | | | | | SD-120209-006 |
| B55 | 3 / 4 / 5 | 0.34mm ² | TPU Yellow | n/a | | | | | | | |

CABLE LENGTH TOLERANCES

| LENGTH | TOLERANCE |
|----------|------------|
| 0m-1m | +40 mm |
| >1m-5m | +60 mm |
| >5m-10m | +80 mm |
| >10m-20m | +140 mm |
| >20m-30m | +160 mm |
| >30m | +1% length |

THIS DRAWING CONTAINS INFORMATION THAT IS PROPRIETARY TO MOLEX ELECTRONIC TECHNOLOGIES, LLC AND SHOULD NOT BE USED WITHOUT WRITTEN PERMISSION

DIMENSION UNITS: mm SCALE: 1:1

GENERAL TOLERANCES (UNLESS SPECIFIED): ANGULAR TOL ± 1.0°

4 PLACES ± 0.15
3 PLACES ± 0.10
2 PLACES ± 0.05
1 PLACE ± 0.3
0 PLACES ± 0.5

DRAFT WHERE APPLICABLE MUST REMAIN WITHIN DIMENSIONS

THIRD ANGLE PROJECTION

DRAWING: A3-SIZE

SERIES: 120066

MATERIAL NUMBER: SEE SHEET 3 & 4

CUSTOMER: GENERAL MARKET

SHEET NUMBER: 2 OF 4

EC NO: 687807
DRWN: RSCHIEBER 2021/12/01
CHK'D: RSILLER 2021/12/07
APPR: RSILLER 2021/12/07

INITIAL REVISION:
DRWN: JMARSZALEK 2016/07/22
APPR: RSILLER 2016/08/29

CURRENT REV DESC: NEW P/N'S ADDED

molex

CSE M12 XP AC FE STR WSOR MA STR XM DE

PRODUCT CUSTOMER DRAWING

DOCUMENT NUMBER: 1200668993
DOC TYPE: PSD
DOC PART: 000
REVISION: A16


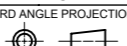
PART LIST

| Lp. | MOLEX PN | ENGINEERING No | L [mm] |
|-----|------------|-----------------|--------|
| 1 | 1200656067 | 885030B30M005H | 500 |
| 2 | 1200659548 | 885030B42M150 | 15000 |
| 3 | 1200659549 | 885030B42M200 | 20000 |
| 4 | 1200659666 | 885030B30M005 | 500 |
| 5 | 1200659667 | 885030B30M025 | 2500 |
| 6 | 1200665456 | 884030B30M010R | 1000 |
| 7 | 1200665457 | 884030B30M020R | 2000 |
| 8 | 1200665458 | 884030B30M030R | 3000 |
| 9 | 1200665459 | 884030B30M040R | 4000 |
| 10 | 1200665460 | 884030B30M050R | 5000 |
| 11 | 1200665461 | 888030B41M010R | 1000 |
| 12 | 1200668817 | 884030B30M006 | 600 |
| 13 | 1200668818 | 884030B30M010 | 1000 |
| 14 | 1200668819 | 884030B30M020 | 2000 |
| 15 | 1200668820 | 884030B30M030 | 3000 |
| 16 | 1200668821 | 884030B30M050 | 5000 |
| 17 | 1200668822 | 884030B30M100 | 10000 |
| 18 | 1200668823 | 885030B42M006 | 600 |
| 19 | 1200668824 | 885030B42M010 | 1000 |
| 20 | 1200668825 | 885030B42M020 | 2000 |
| 21 | 1200668826 | 885030B42M030 | 3000 |
| 22 | 1200668827 | 885030B42M050 | 5000 |
| 23 | 1200668828 | 885030B42M100 | 10000 |
| 24 | 1200668859 | 884030B36M0507Y | 5000 |
| 25 | 1200668860 | 884030B36M1007Y | 10000 |
| 26 | 1200668863 | 884030B30M070 | 7000 |
| 27 | 1200668889 | 883030B30M006 | 600 |
| 28 | 1200668890 | 883030B30M010 | 1000 |
| 29 | 1200668891 | 883030B30M020 | 2000 |
| 30 | 1200668892 | 883030B30M030 | 3000 |

| Lp. | MOLEX PN | ENGINEERING No | L [mm] |
|-----|------------|-----------------|--------|
| 31 | 1200668893 | 883030B30M050 | 5000 |
| 32 | 1200668894 | 883030B30M100 | 10000 |
| 33 | 1200668895 | 888030B41M006 | 600 |
| 34 | 1200668896 | 888030B41M010 | 1000 |
| 35 | 1200668897 | 888030B41M020 | 2000 |
| 36 | 1200668898 | 888030B41M030 | 3000 |
| 37 | 1200668899 | 888030B41M050 | 5000 |
| 38 | 1200668900 | 888030B41M100 | 10000 |
| 39 | 1200668913 | 884030B30M150 | 15000 |
| 40 | 1200668914 | 884030B30M200 | 20000 |
| 41 | 1200668915 | 884030B30M250 | 25000 |
| 42 | 1200668916 | 884030B30M300 | 30000 |
| 43 | 1200668991 | 885030B30M006 | 600 |
| 44 | 1200668992 | 885030B30M010 | 1000 |
| 45 | 1200668993 | 885030B30M020 | 2000 |
| 46 | 1200668994 | 885030B30M030 | 3000 |
| 47 | 1200668995 | 885030B30M050 | 5000 |
| 48 | 1200668996 | 885030B30M100 | 10000 |
| 49 | 1200669019 | 884030B36M0057Y | 500 |
| 50 | 1200669020 | 884030B36M0107Y | 1000 |
| 51 | 1200669021 | 884030B36M0157Y | 1500 |
| 52 | 1200669022 | 884030B36M0207Y | 2000 |
| 53 | 1200669023 | 884030B36M0307Y | 3000 |
| 54 | 1200669024 | 884030B36M0407Y | 4000 |
| 55 | 1200669025 | 884030B36M0607Y | 6000 |
| 56 | 1200669026 | 884030B36M0807Y | 8000 |
| 57 | 1200669027 | 884030B36M1207Y | 12000 |
| 58 | 1200669028 | 884030B36M1507Y | 15000 |
| 59 | 1200669029 | 884030B36M2007Y | 20000 |
| 60 | 1200669030 | 884030B36M2507Y | 25000 |

| Lp. | MOLEX PN | ENGINEERING No | L [mm] |
|-----|------------|-----------------|--------|
| 61 | 1200669031 | 884030B36M3007Y | 30000 |
| 62 | 1200669032 | 885030B36M0057Y | 500 |
| 63 | 1200669033 | 885030B36M0107Y | 1000 |
| 64 | 1200669034 | 885030B36M0207Y | 2000 |
| 65 | 1200669035 | 885030B36M0307Y | 3000 |
| 66 | 1200669036 | 885030B36M0407Y | 4000 |
| 67 | 1200669037 | 885030B36M0507Y | 5000 |
| 68 | 1200669038 | 885030B36M0607Y | 6000 |
| 69 | 1200669039 | 885030B36M0807Y | 8000 |
| 70 | 1200669040 | 885030B36M1007Y | 10000 |
| 71 | 1200669041 | 885030B36M1207Y | 12000 |
| 72 | 1200669042 | 885030B36M1507Y | 15000 |
| 73 | 1200669043 | 885030B36M1807Y | 18000 |
| 74 | 1200669044 | 885030B36M2007Y | 20000 |
| 75 | 1200669045 | 885030B36M2507Y | 25000 |
| 76 | 1200669046 | 885030B36M3007Y | 30000 |
| 77 | 1200669112 | 888030B49M038Y | 3800 |
| 78 | 1200669140 | 885030B36M8507Y | 85000 |
| 79 | 1200669144 | 884030B30M025 | 2500 |
| 80 | 1200669145 | 885030B30M015 | 1500 |
| 81 | 1200669157 | 884030B30M002 | 200 |
| 82 | 1200669158 | 884030B30M030R | 3000 |
| 83 | 1200669177 | 888030B41M090 | 9000 |
| 84 | 1200669181 | 884030B30M040 | 4000 |
| 85 | 1200669182 | 884030B30M060 | 6000 |
| 86 | 1200669223 | 884030B33M010 | 1000 |
| 87 | 1200669224 | 884030B33M020 | 2000 |
| 88 | 1200669225 | 884030B33M030 | 3000 |
| 89 | 1200669226 | 884030B33M050 | 5000 |
| 90 | 1200669242 | 885030B30M0107 | 1000 |

| Lp. | MOLEX PN | ENGINEERING No | L [mm] |
|-----|------------|----------------|--------|
| 91 | 1200669247 | 885030B33M020 | 2000 |
| 92 | 1200669248 | 885030B33M100 | 10000 |
| 93 | 1200669249 | 885030B33M200 | 20000 |
| 94 | 1200669250 | 884030B33M005 | 500 |
| 95 | 1200669251 | 884030B33M100 | 10000 |
| 96 | 1200669252 | 884030B33M200 | 20000 |
| 97 | 1200669253 | 885030B33M030 | 3000 |
| 98 | 1200669254 | 885030B33M050 | 5000 |
| 99 | 1200669255 | 885030B33M300 | 30000 |
| 100 | 1200669256 | 884030B33M300 | 30000 |
| 101 | 1200669257 | 885030B33M005 | 500 |
| 102 | 1200669258 | 885030B33M010 | 1000 |
| 103 | 1200669263 | 884030B55M020 | 2000 |
| 104 | 1200669264 | 884030B55M030 | 3000 |
| 105 | 1200669265 | 884030B55M040 | 4000 |
| 106 | 1200669266 | 884030B55M050 | 5000 |
| 107 | 1200669267 | 884030B55M060 | 6000 |
| 108 | 1200669268 | 884030B55M100 | 10000 |
| 109 | 1200669269 | 884030B55M120 | 12000 |
| 110 | 1200669270 | 884030B55M150 | 15000 |
| 111 | 1200669271 | 884030B55M200 | 20000 |
| 112 | 1200669280 | 884030B33M040 | 4000 |
| 113 | 1200669418 | 884030B55M070 | 7000 |
| 114 | 1200669480 | 884030B30M005 | 500 |
| 115 | 1200669481 | 884030B30M080 | 8000 |
| 116 | 1200669482 | 885030B30M040 | 4000 |
| 117 | 1200669483 | 885030B30M300 | 30000 |
| 118 | 1200669484 | 885030B30M060 | 6000 |
| 119 | 1200669485 | 885030B30M080 | 8000 |
| 120 | 1200669486 | 885030B30M150 | 15000 |

| | | | | | | | | | |
|---|---------|--|--|----------------|--|----------|--|-----------------|--|
| THIS DRAWING CONTAINS INFORMATION THAT IS PROPRIETARY TO MOLEX ELECTRONIC TECHNOLOGIES, LLC AND SHOULD NOT BE USED WITHOUT WRITTEN PERMISSION | | | | | | | | | |
| DIMENSION UNITS | SCALE | CURRENT REV DESC: NEW P/N'S ADDED | | | | | | | |
| mm | 1:1 |  CSE M12 XP AC FE STR WSOR MA STR XM DE | | | | | | | |
| GENERAL TOLERANCES (UNLESS SPECIFIED) | | | | | | | | | |
| ANGULAR TOL | ± 1.0 ° | EC NO: 687807 DRWN: RSCHIEBER 2021/12/01 CHK'D: RSILLER 2021/12/07 APPR: RSILLER 2021/12/07 INITIAL REVISION: DRWN: JMARSZALEK 2016/07/22 APPR: RSILLER 2016/08/29 | | | | | | | |
| 4 PLACES | ± | | | | | | | | |
| 2 PLACES | ± 0.05 | | | | | | | | |
| 1 PLACE | ± 0.3 | | | | | | | | |
| 0 PLACES | ± 0.5 | DOCUMENT NUMBER | | DOC TYPE | | DOC PART | | REVISION | |
| DRAFT WHERE APPLICABLE MUST REMAIN WITHIN DIMENSIONS | | THIRD ANGLE PROJECTION | | DRAWING | | SERIES | | MATERIAL NUMBER | |
| | |  | | A3-SIZE | | 120066 | | SEE SHEET 3 & 4 | |
| | | | | GENERAL MARKET | | PSD 000 | | A16 | |

