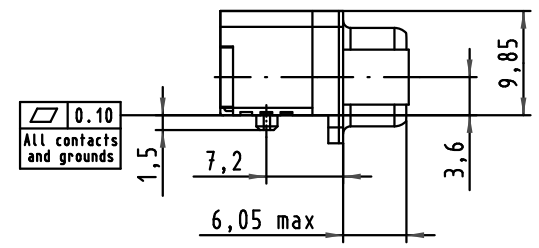


PCB Layout, component side (thickness 1,6mm min.)



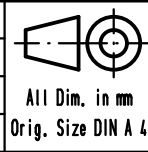
Mating face according to CECC 75301-802

M3 unremovable screwlock thread

Max. Temperature: 260°C during 10 seconds

09554663819.741	1	M3	Black Insulator	Reel Packaging (160 connectors) see page 2/2
09554666819.741	2			
09554667819.741	3			
Part number	PL	Thread	Index designation	

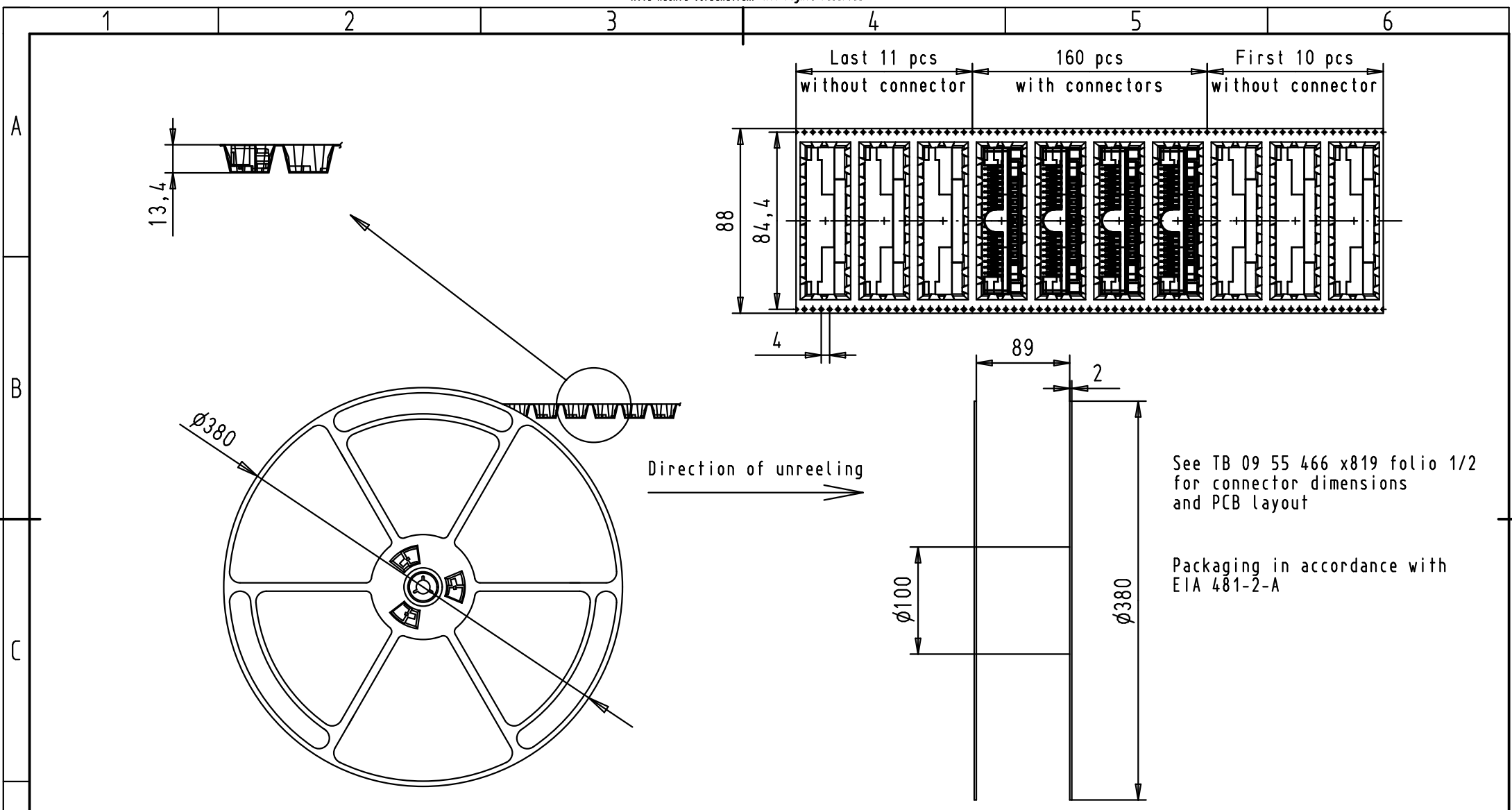
				Dot.	Name
				Detail.	29Sep2010 ED
				Insp.	
				Stand.	
36152	29Sep2010	ED	HARTING EURL F-95972 Paris		
Mod.	Dot.	Name			



D-SUB Low Profile 37p Male
Right angled SMT
with die casted grounds
and M3 unremovable screwlocks


TB 09 55 466 x819

Maßstab/
Scale
1,4:1
Blatt/
Page
1/2



See TB 09 55 466 x819 folio 1/2 for connector dimensions and PCB layout

Packaging in accordance with EIA 481-2-A

					Dot.	Name	 All Dim. in mm Orig. Size DIN A 4	D-SUB Low Profile 37p Male Right angled SMT with die casted grounds and M3 unremovable screwlocks	Maßstab/ Scale	
					Detail.	29Sep2010				ED
					Insp.					
					Stand.					
09554663819.741	1	M3	Black Insulator	Reel Packaging (160 connectors)	36152	29Sep2010	ED	TB 09 55 466 x819	Blatt/ Page 2 / 2	
09554666819.741	2									
09554667819.741	3									
Part number	PL	Thread	Index designation		Mod.	Dot.	Name	Sub.		
					HARTING EURL F-95972 Paris			