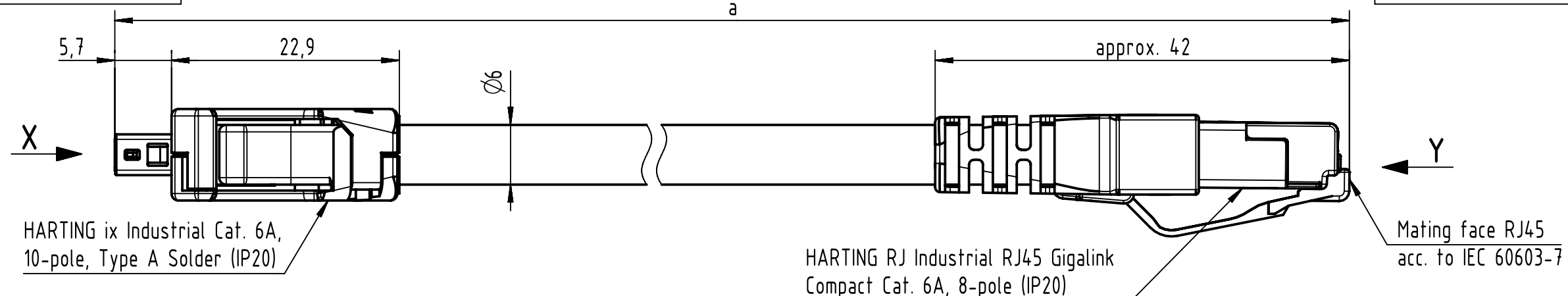


Connector Location A

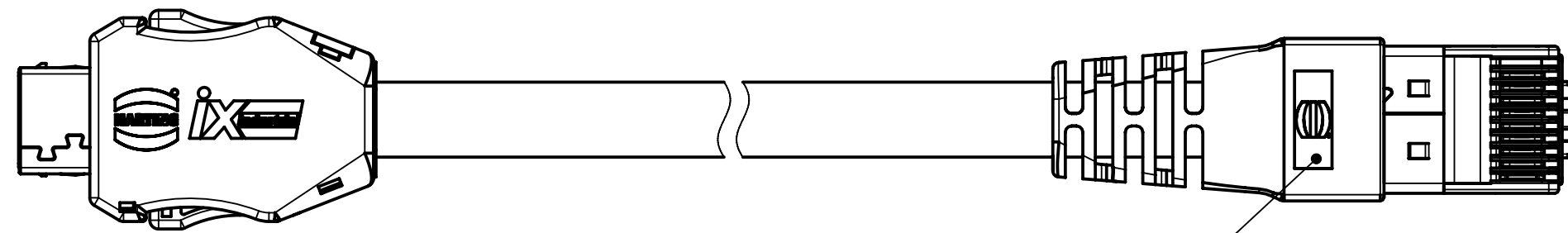
Connector Location B



HARTING ix Industrial Cat. 6A,
10-pole, Type A Solder (IP20)

HARTING RJ Industrial RJ45 Gigalink
Compact Cat. 6A, 8-pole (IP20)

Mating face RJ45
acc. to IEC 60603-7

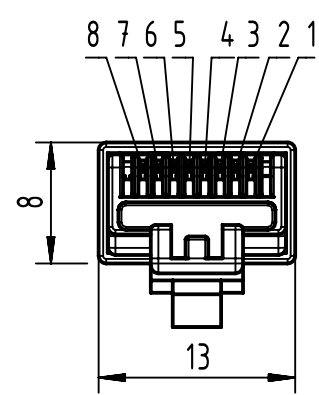
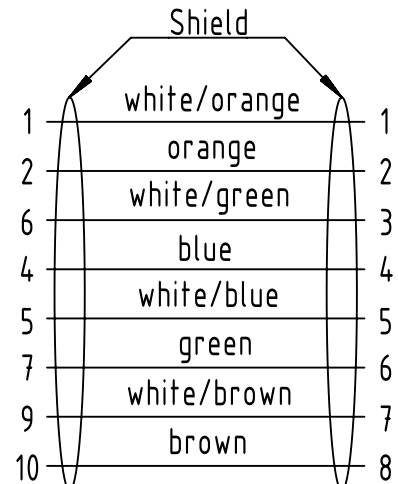
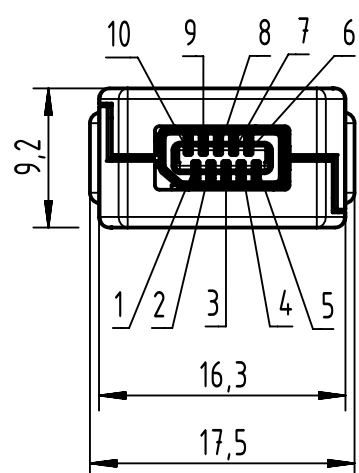


Black compact boot with HARTING logo

X
male

Loading Plan
acc. to TIA/EIA 568B

Y
male



6.0 to 100	±1%
0.6 to 5.9	+0.04
0.2 to 0.5	+0.02
a [m]	Tolerance

length in "1m" step	100	XXX=000
	99	XXX=990
	12	XXX=120
	11	XXX=110
length in "0.1m" step	10	XXX=100
	9.9	XXX=099
	9.8	XXX=098
	0.5	XXX=005
	0.4	XXX=004
	0.3	XXX=003
	0.2	XXX=002
Step	a [m]	XXX

Contacts 3 and 8 are not connected

- Temperature range: -40°C ... +80°C

4x2xAWG 28/7, PVC, Cat. 6A, yellow
Type of cable

09482612749XXX
Part no.

	All rights reserved	Created by 402990 Costa	Inspected by COSTEA Costea	Standardisation MUNTEANV Muntean	Date 2020-10-12	State Final Release
	Department HCS - RO	Title ix Industrial - RJ45 PVC cable assembly		Doc-Key / ECM-Nr. 100695572/UGD/000/E 500000181090		
HARTING Customised Solutions D-32339 Espelkamp		Type TB	Number 09482612749XXX		Rev. E	Page 1/1