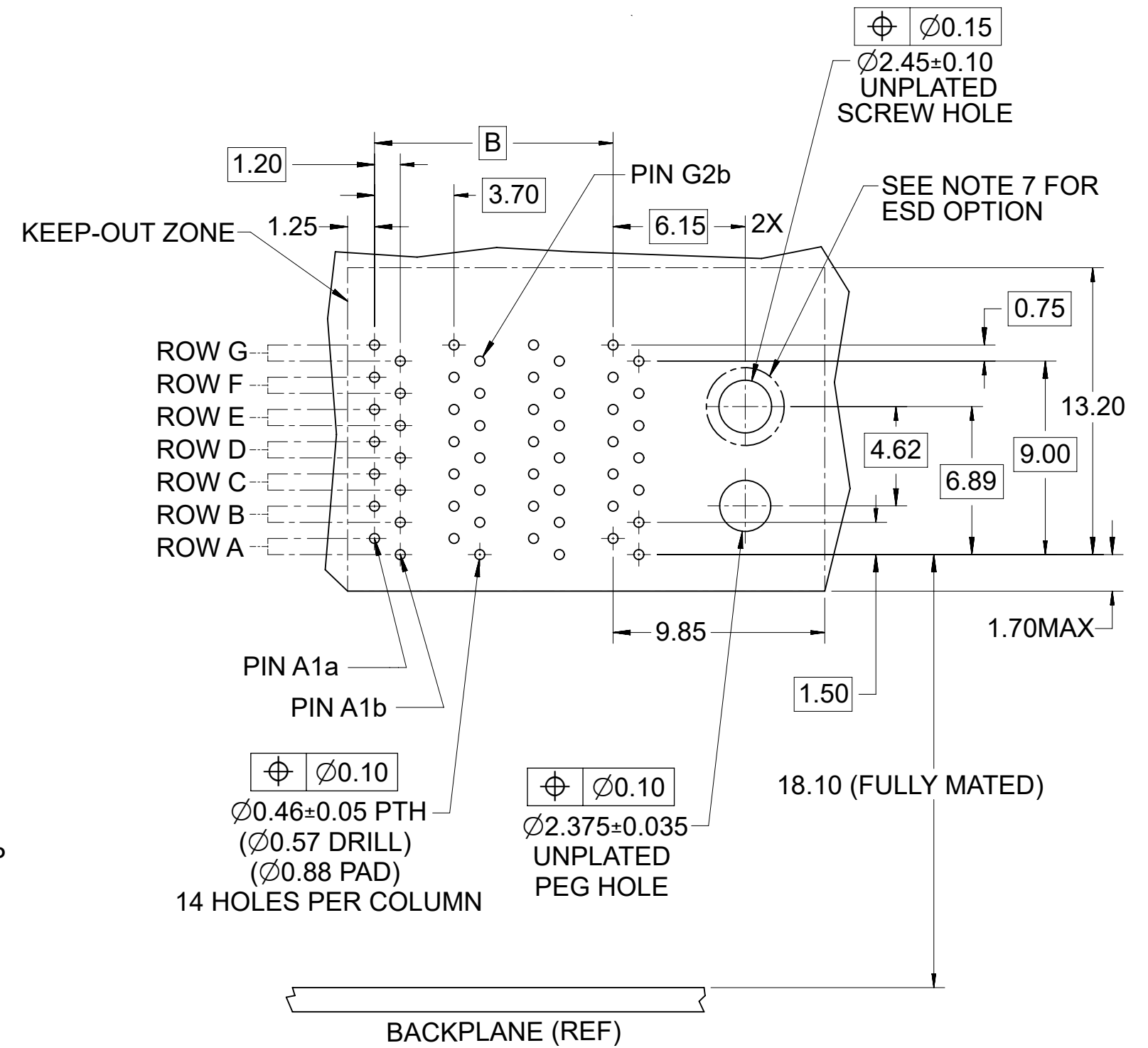
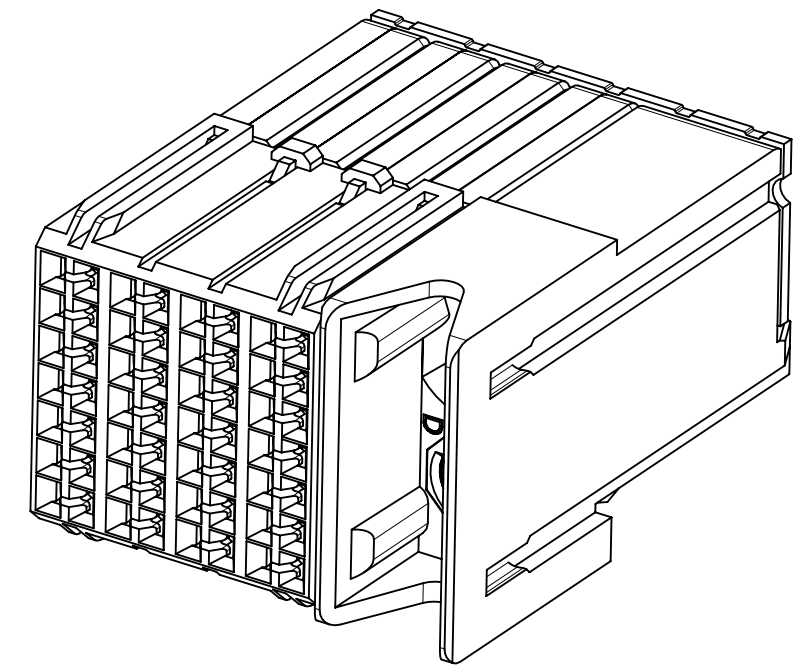
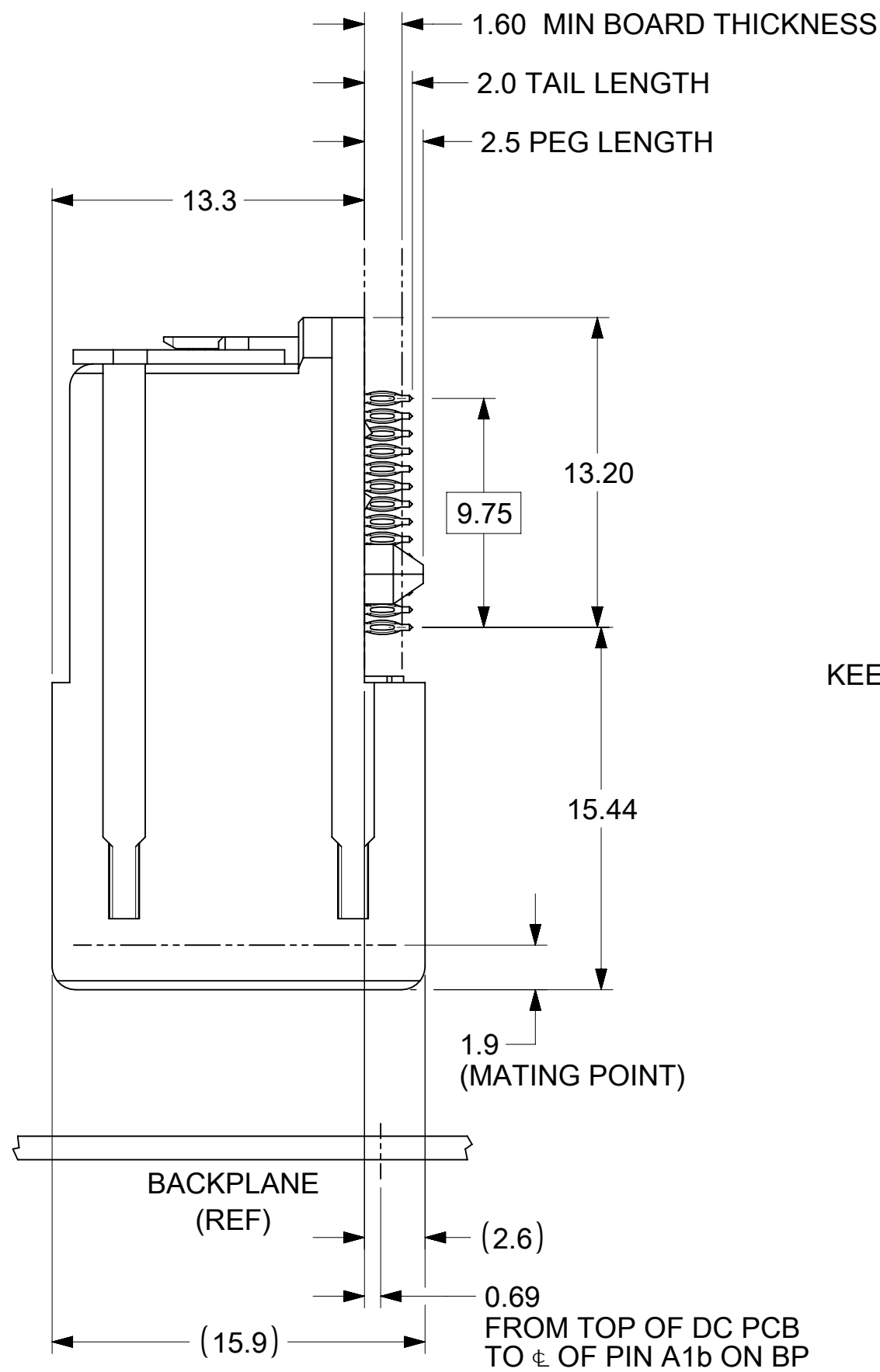


KEY SHOWN IN POSITION "E"



DAUGHTERCARD HOLE PATTERN (CONNECTOR SIDE)

NOTES:

1. MATERIALS: HOUSING - LIQUID CRYSTAL POLYMER (LCP)GLASS-FILLED, UL 94V-0
TERMINALS - HIGH PERFORMANCE COPPER ALLOY
2. FINISH: SELECTIVE GOLD (Au) IN CONTACT AREA,
SELECTIVE MATTE TIN (Sn) IN TAIL AREA;
NICKEL (Ni) UNDERPLATE OVERALL.
3. REFER TO MOLEX PRODUCT SPECIFICATION PS-75710-999 FOR PERFORMANCE SPECS.
4. PRODUCT IS PACKAGED PER PK-70873-607.
5. THIS PART CONFORMS TO CLASS B REQUIREMENTS OF COSMETIC SPEC PS-45499-002.
6. GUIDED PARTS TO BE SHIPPED WITH 2-32 TYPE AB
SELF-TAPPING SCREW P/N 73726-0005.
7. FOR GROUNDED GUIDE MODULES USE DIA 2.45+/-0.10 (PTH), DIA 2.58 (DRILL),
AND DIA 4.50 (PAD).
8. MAPS (MOLEX ADVANCED PLATING SYSTEM).

THIS DRAWING CONTAINS INFORMATION THAT IS PROPRIETARY TO MOLEX ELECTRONIC TECHNOLOGIES, LLC AND SHOULD NOT BE USED WITHOUT WRITTEN PERMISSION

| DIMENSION UNITS | SCALE | CURRENT REV DESC: REMASTERED TO NX | | | | | |
|--|--------|------------------------------------|------------|---|--|--|--|
| mm | NTS | | | | | | |
| GENERAL TOLERANCES (UNLESS SPECIFIED) | | | | I-TRAC DAUGHTERCARD 7 ROW GUIDE RIGHT SIGNAL MODULE | | | |
| ANGULAR TOL ± 0.5° | | | | | | | |
| 4 PLACES | ± | EC NO: 671119 | 2021/06/17 | PRODUCT CUSTOMER DRAWING | | | |
| 3 PLACES | ± | DRWN: YOGEEB | 2022/01/31 | | | | |
| 2 PLACES | ± 0.13 | CHK'D: VINODM3 | 2022/02/18 | DOCUMENT NUMBER: SD-76020-004 DOC TYPE: PSD DOC PART: 001 REVISION: C1 | | | |
| 1 PLACE | ± 0.25 | APPR: CWANG25 | | | | | |
| 0 PLACES | ± | INITIAL REVISION: | | MATERIAL NUMBER: SEE TABLE CUSTOMER: GENERAL MARKET SHEET NUMBER: 1 OF 2 | | | |
| DRAFT WHERE APPLICABLE MUST REMAIN WITHIN DIMENSIONS | | | | | | | |
| THIRD ANGLE PROJECTION | | DRAWING | SERIES | | | | |
| | | C-SIZE | 76020 | | | | |

| MATERIAL NUMBER | # OF COLUMNS | DIM. "A" MAX. | DIM. "B" |
|-----------------|--------------|---------------|----------|
| 76020-***4 | 4 | 22.20 | 11.10 |
| 76020-***6 | 6 | 29.60 | 18.50 |
| 76020-***0 | 10 | 44.40 | 33.30 |

76020-***

MODULE STYLE AND TAIL PLATING TYPE
 4 = GUIDE RIGHT, MATTE TIN (FORMERLY TIN/LEAD)
 5 = GUIDE RIGHT, MATTE TIN

POLARIZATION KEY ORIENTATION
 0 = NO KEY
 1 = A
 2 = B
 3 = C
 4 = D
 5 = E
 6 = F
 7 = G
 8 = H

OF COLUMNS/PLATING
 04 = 4 COL 30 GOLD
 06 = 6 COL 30 GOLD
 10 = 10 COL 30 GOLD
 44 = 4 COL 10 GOLD (MAPS)
 46 = 6 COL 10 GOLD (MAPS)
 40 = 10 COL 10 GOLD (MAPS)
 54 = 4 COL W/ESD CLIP 30 GOLD
 56 = 6 COL W/ESD CLIP 30 GOLD
 50 = 10 COL W/ESD CLIP 30 GOLD
 74 = 4 COL W/ESD CLIP 10 GOLD (MAPS)
 76 = 6 COL W/ESD CLIP 10 GOLD (MAPS)
 70 = 10 COL W/ESD CLIP 10 GOLD (MAPS)

| | | | | | | | | | | | |
|---|--|------------------------|--|---|--|---------------------|--|--|--|--------------|--|
| THIS DRAWING CONTAINS INFORMATION THAT IS PROPRIETARY TO MOLEX ELECTRONIC TECHNOLOGIES, LLC AND SHOULD NOT BE USED WITHOUT WRITTEN PERMISSION | | | | | | | | | | | |
| DIMENSION UNITS | | SCALE | | CURRENT REV DESC: REMASTERED TO NX | | | | molex | | | |
| mm | | NTS | | | | | | | | | |
| GENERAL TOLERANCES (UNLESS SPECIFIED) | | | | EC NO: 671119 DRWN: YOGEEB 2021/06/17 CHK'D: VINODM3 2022/01/31 APPR: CWANG25 2022/02/18 INITIAL REVISION: DRWN: BPISZCZOR 2007/03/19 APPR: JLAURX 2007/03/19 | | | | I-TRAC DAUGHTERCARD 7 ROW GUIDE RIGHT SIGNAL MODULE | | | |
| ANGULAR TOL | | ± 0.5° | | | | | | PRODUCT CUSTOMER DRAWING | | | |
| 4 PLACES | | ± | | | | | | DOCUMENT NUMBER | | SD-76020-004 | |
| 3 PLACES | | ± | | | | | | DOC TYPE | | PSD | |
| 2 PLACES | | ± 0.13 | | | | | | DOC PART | | 001 | |
| 1 PLACE | | ± 0.25 | | REVISION | | C1 | | | | | |
| 0 PLACES | | ± | | MATERIAL NUMBER | | SEE TABLE | | | | | |
| DRAFT WHERE APPLICABLE MUST REMAIN WITHIN DIMENSIONS | | THIRD ANGLE PROJECTION | | DRAWING | | SERIES | | CUSTOMER | | | |
| | | | | C-SIZE | | 76020 | | GENERAL MARKET | | | |
| DOCUMENT STATUS | | P1 | | RELEASE DATE | | 2022/02/18 05:04:24 | | SHEET NUMBER | | | |
| 12 | | 11 | | 10 | | 9 | | 8 | | | |
| 7 | | 6 | | 5 | | 4 | | 3 | | | |
| 2 | | 1 | | | | | | | | | |