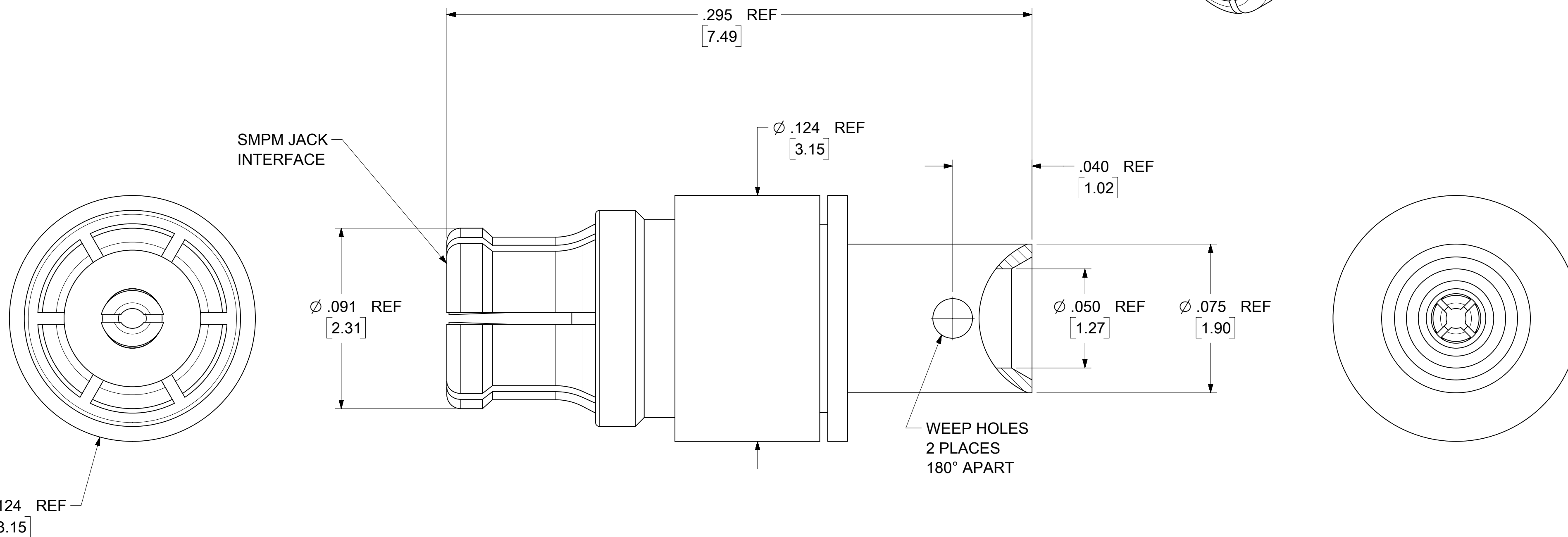
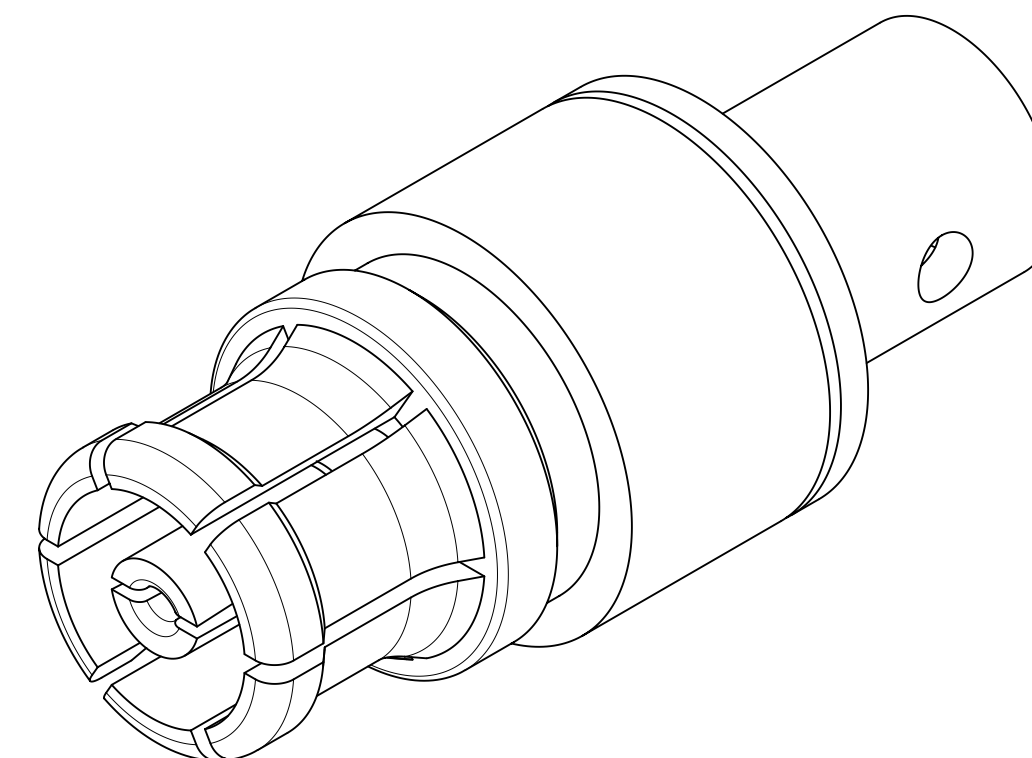


MATERIALS AND FINISHES

BODY, CONTACT, REAR BODY: BERYLLIUM COPPER
 PLATED: GOLD (50µ-in MIN) OVER NICKEL (50µ-in MIN)

INSULATOR: PTFE

VSWR: 1.10 MAX < 26.5 GHz
 1.20 MAX 26.5 - 40.0 GHz



73300-0150	TRAY
PART NO	PACKAGING

AS-89675-5100	APPLICATION SPECIFICATION
PS-89675-3730	PRODUCT SPECIFICATION
MIL-STD-348, FIG. 328.1	INTERFACE
SPECIFICATION	DESCRIPTION

RELEASE STATUS	P1	RELEASE DATE	01.08.2017	21:33:43
----------------	----	--------------	------------	----------

THIS DRAWING CONTAINS INFORMATION THAT IS PROPRIETARY TO MOLEX ELECTRONIC TECHNOLOGIES, LLC AND SHOULD NOT BE USED WITHOUT WRITTEN PERMISSION

QUALITY SYMBOLS	MIGRATED AND REVISED	GENERAL TOLERANCES (UNLESS SPECIFIED)		DIMENSION UNITS	SCALE
		MM	INCH	INCH	NTS
▽ = 0	2017/05/31 2017/08/01	4 PLACES	±	±	DRWN BY: AROBERTSON DATE: 2013/06/27
▽ = 0		3 PLACES	±	± 0.005	CHK'D BY: SSS DATE: 2013/06/27
▽ = 0		2 PLACES	± 0.13	± 0.01	APPR BY: JWIENER DATE: 2013/07/09
▽ = 0		1 PLACES	± 0.25	±	DRAWING SIZE: C THIRD ANGLE PROJECTION
▽ = 0		0 PLACES	±	±	ANGULAR TOL = 2.0
▽ = 0	EC NO: 118888	DRAFT WHERE APPLICABLE MUST REMAIN WITHIN DIMENSIONS			
▽ = 0	DRWN: BSHAH				
▽ = 0	CHKD: AROBERTSON				
▽ = 0	REV / APPR: AROBERTSON				

SMPM JACK STRAIGHT FOR 047 CABLES SMPM-JC, EWR-10832-B		
PRODUCT CUSTOMER DRAWING		
SERIES	MATERIAL NUMBER	CUSTOMER
73300	SEE TABLE	
DOCUMENT NUMBER	DOC TYPE	DOC PART SHEET NUMBER
SD-73300-015	PSD	001 1 OF 1