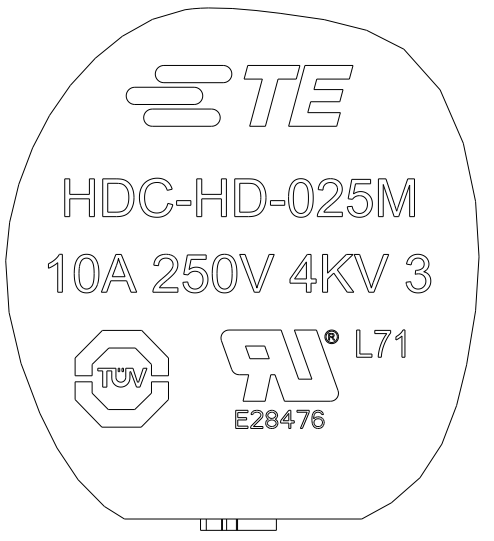
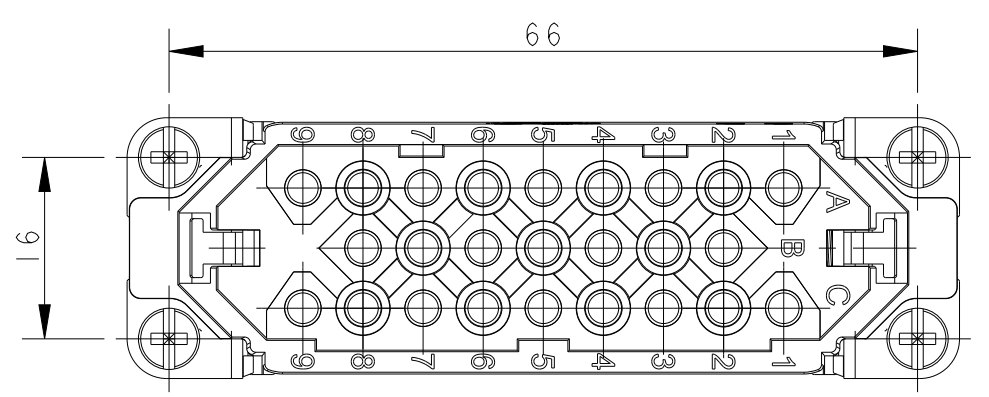
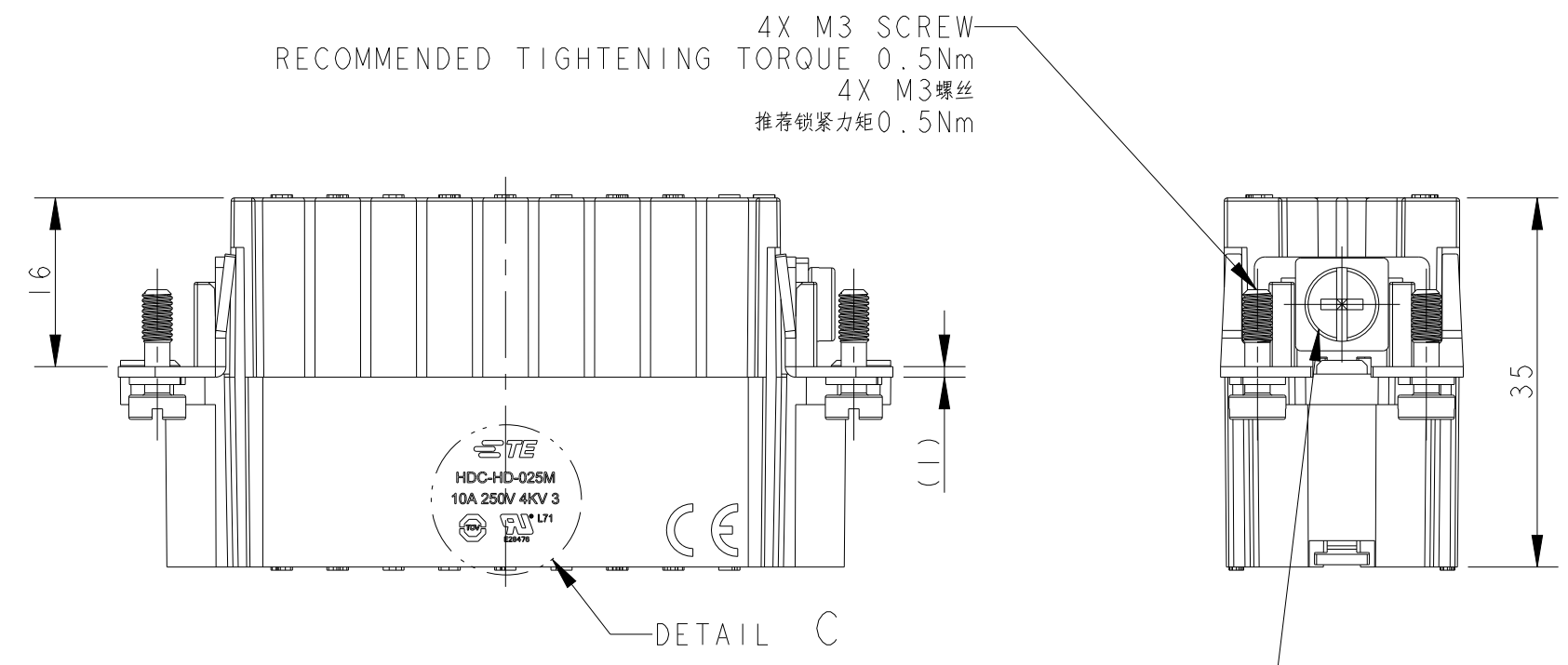
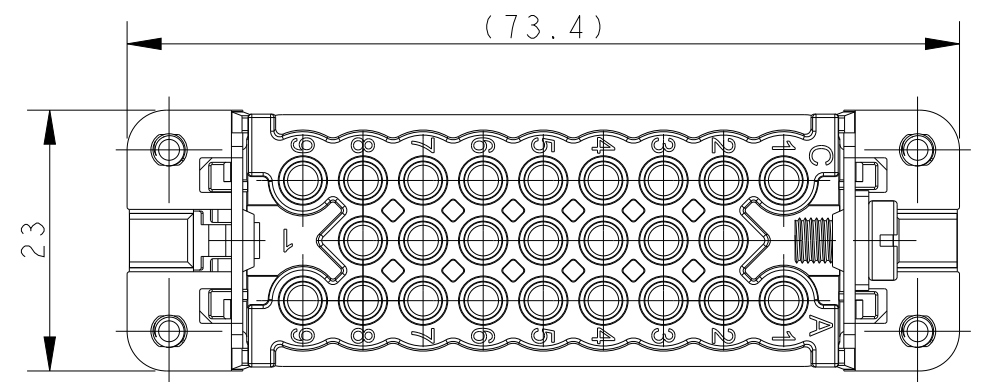


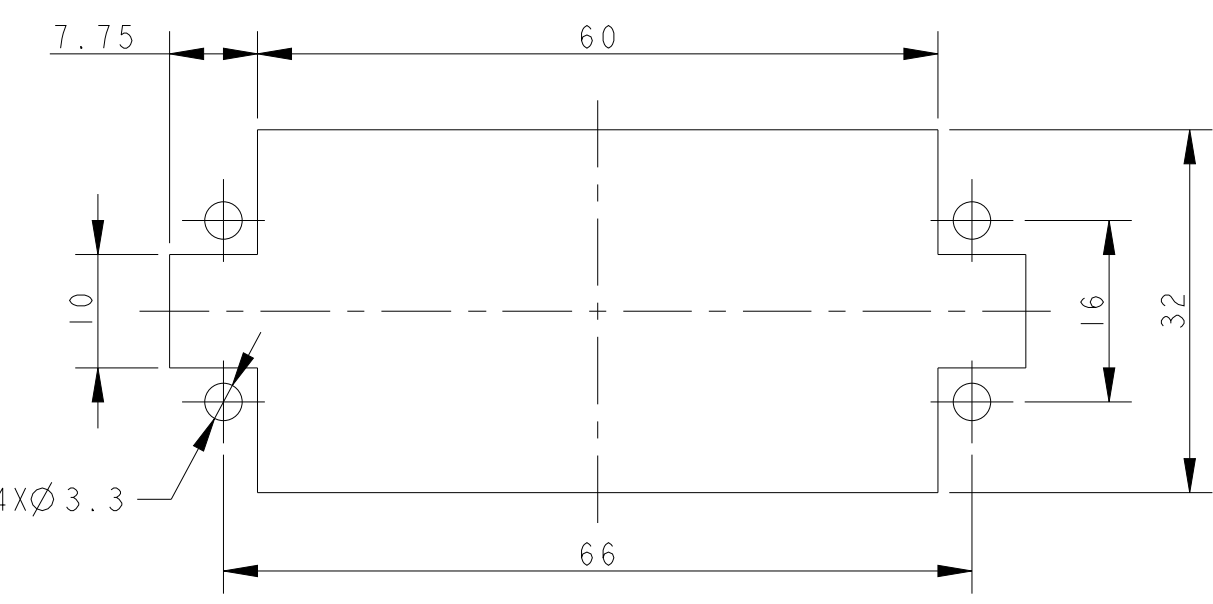
THIS DRAWING IS UNPUBLISHED. RELEASED FOR PUBLICATION 20
 © COPYRIGHT 20 BY - ALL RIGHTS RESERVED.

REVISIONS					
P	LTR	DESCRIPTION	DATE	DWN	APVD
A		INITIAL RELEASE	16DEC2014	HMR	CW
B		ECR-15-013292	24SEP2015	DL	CW
BI		ECR-16-011552	11AUG2016	QY	CW
C		ECR-21-105750	30JUN2021	BS	CW

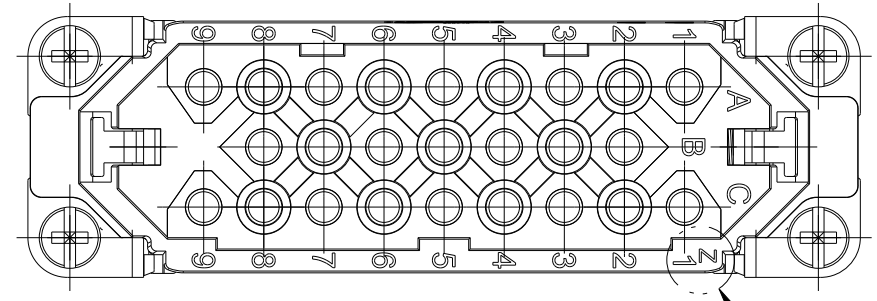
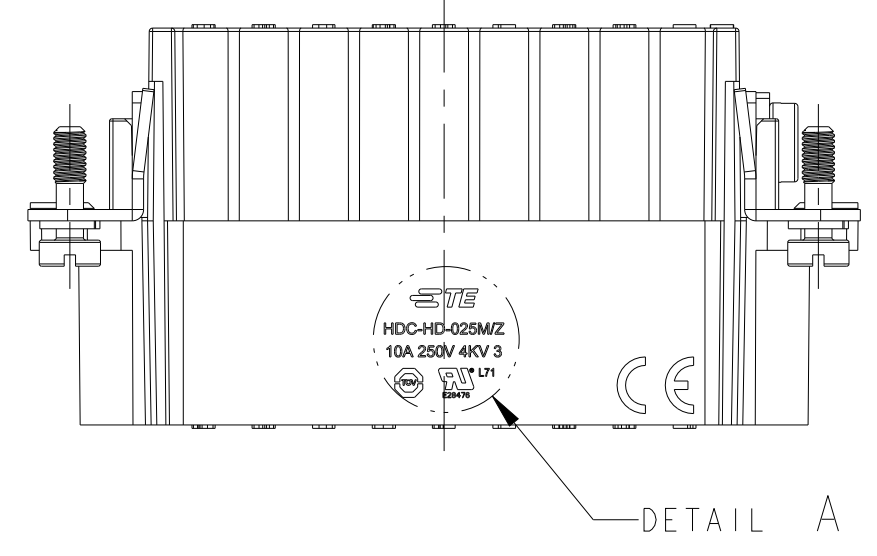
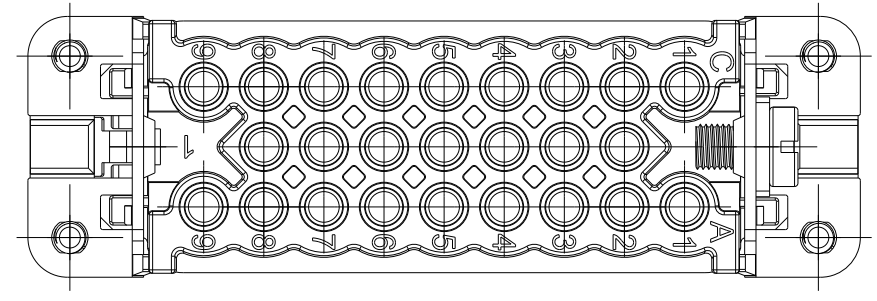
TYPT-1 / 类型-1



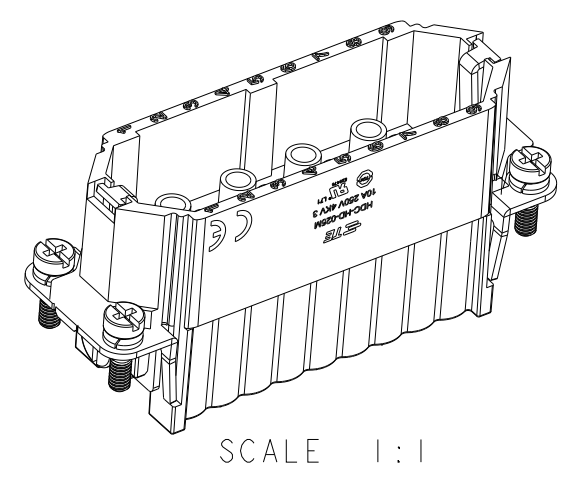
DETAIL C
SCALE 5:1



TYPT-2 / 类型-2

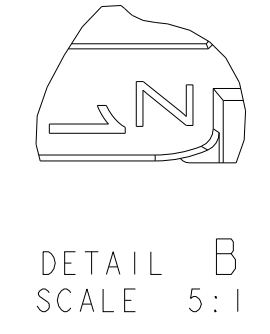


NOTE: TYPE-2 ALL THE DIMENSIONS ARE THE SAME WITH TYPE-1 EXCEPT THE LASER PRINT MARKINGS
 提示: 类型-2的所有尺寸与类型-1一致, 除了激光打标不一样, 详见视图



NOTES:
 1. TECHNICAL CHARACTERISTICS:
 INSULATION MATERIAL: PC
 RATED VOLTAGE: 250 V
 RATED CURRENT: 10 A
 INSULATION RESISTANCE: >=400MΩ
 RATED IMPULSE VOLTAGE: 4 KV
 POLLUTION DEGREE: 3
 FLAMMABILITY: UL94V-0
 MATING CYCLES: 500 CYCLES
 WIRE RANGE: 0.14-2.5 mm² (26-14 AWG)
 CONTACT TYPE: CRIMP CONTACT
 2. CONTACT NEED TO BE ORDERED SEPARATELY.
 (ORDER No. REFER TO DRAWING: T20200X10XX000)

注释:
 1. 技术参数:
 绝缘材料: PC
 额定电压: 250V
 额定电流: 10A
 绝缘电阻: >=400MΩ
 额定脉冲电压: 4 KV
 污染等级: 3
 阻燃等级: UL94V-0
 插拔次数: 500次
 接线范围: 0.14-2.5 mm² (26-14 AWG)
 接线类型: 冷压接
 2. 端子需要单独订购。
 (订货号参考图面: T20200X10XX000)



T2020252101-Z00	HD-025-M/Z	HD-025 MALE INSERT(Z) HD-025公插(Z)	TYPE-2 类型-2
T2020252101-000	HD-025-M	HD-025 MALE INSERT HD-025公插	TYPE-1 类型-1
PART NUMBER 料号	PART DESCRIPTION 描述		TYPE 类型

DIMENSIONS:		TOLERANCES UNLESS OTHERWISE SPECIFIED:		APVD		NAME	
mm		0 PLC ±	±	16DEC2014	RAGHAVENDRA H M		
		1 PLC ±	±	16DEC2014	CHRIS WANG		
		2 PLC ±	±	16DEC2014	XU XIANG		
		3 PLC ±	±		PRODUCT SPEC		
		4 PLC ±	±		108-137042		
		ANGLES ±	±		APPLICATION SPEC		
		FINISH -	-		114-137042		
MATERIAL	TBD				WEIGHT	-	
CUSTOMER DRAWING				SCALE	3:2	SHEET	OF 1
						REV	C

