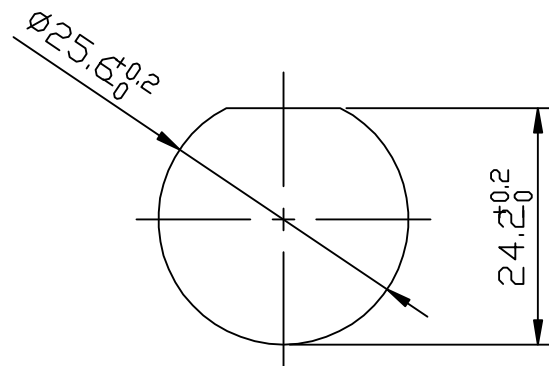
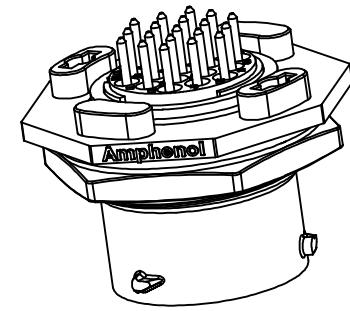
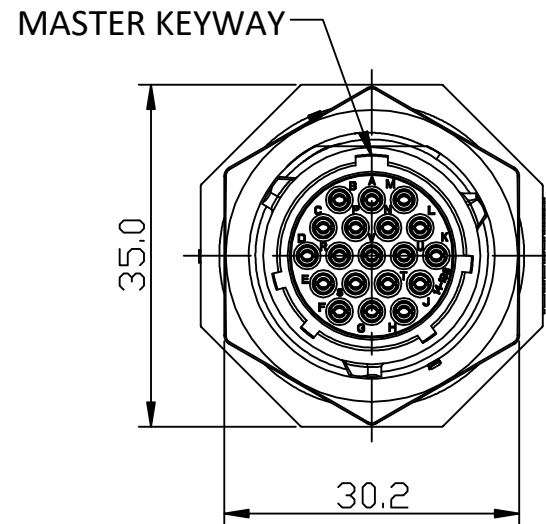
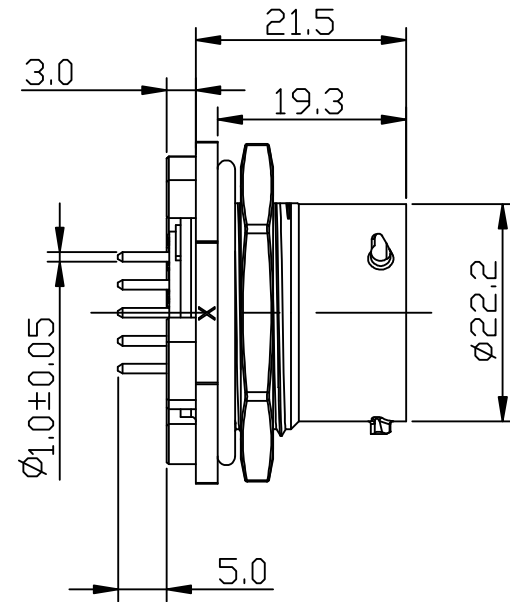
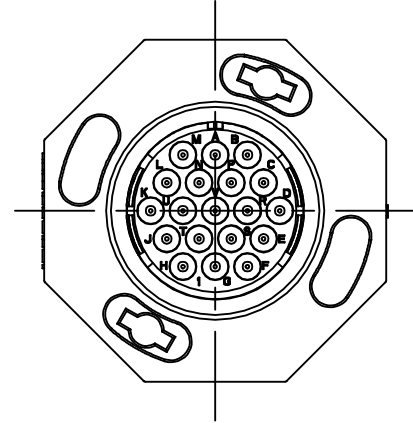
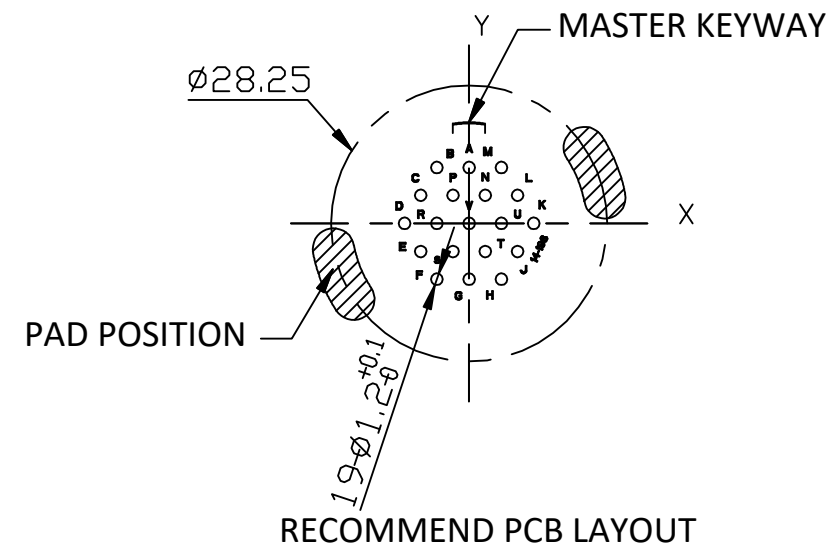


| REVISIONS | | | | | |
|-----------|-----|----------------|-------------|--------|-------|
| REV | ECD | DESCRIPTION | DATE | BY | APPR |
| A1 | - | FIRST RELEASED | Jul-31-2019 | Ronald | Tommy |



RECOMMEND MOUNTING HOLE



RECOMMEND PCB LAYOUT

| Position number | X | Y |
|-----------------|--------|--------|
| A | 0.000 | 5.715 |
| B | -3.302 | 5.715 |
| C | -4.953 | 2.870 |
| D | -6.604 | 0.000 |
| E | -4.953 | -2.870 |
| F | -3.302 | -5.715 |
| G | 0.000 | -5.715 |
| H | 3.302 | -5.715 |
| J | 4.953 | -2.870 |
| K | 6.604 | 0.000 |
| L | 4.953 | 2.870 |
| M | 3.302 | 5.715 |
| N | 1.651 | 2.870 |
| P | 1.651 | 2.870 |
| R | -3.302 | 0.000 |
| S | -1.651 | -2.870 |
| T | 1.651 | -2.870 |
| U | 3.302 | 0.000 |
| V | 0.000 | 0.000 |

NOTES: (UNLESS OTHERWISE SPECIFIED)

1. MATERIAL:

- SHELL: THERMOPLASTIC, UL94 V-0.
- INSERT: THERMOPLASTIC, UL94 V-0.
- O-RING: SILICONE RUBBER.
- SEAL GASKET: SILICONE RUBBER.
- JAM NUT: ALUMINIUM ALLOY, BLACK ANODIZING.
- CONTACT: COPPER ALLOY, GOLD PLATED.

2. SPECIFICATIONS:

- 2.1 RATED CURRENT: 7.5A (MAX).
- 2.2, RATED VOLTAGE: 250V (AC/DC).
- 2.3, OPERATING TEMPERATURE: -40C - 125C.
- 2.4 DIELECTRIC WITHSTANDING VOLTAGE: LESS THAN 2 MILLIAMPS CURRENT LEAKAGE@1500 VOLTS AC.
- 2.5 INSULATION RESISTANCE: 5000 MEGOHMS MIN.
- 2.6 IP--CLASS: IP67 AND IP69K IN THE MATED CONDITION.
- 2.7 MATING CYCLES DURABILITY: 500 CYCLES MIN.
- 2.8 RoHS COMPLIANT.

3. SUITABLE CONTACTS: 20# CONTACT

4. ALL DIMENSIONS ARE FOR REFERENCE USE ONLY.

| KEY | PART NUMBER |
|-----|---------------|
| N | RTS714ND19S03 |
| W | RTS714WD19S03 |
| X | RTS714XD19S03 |
| Y | RTS714YD19S03 |
| Z | RTS714ZD19S03 |

| QUANTITY | PART NUMBER | DESCRIPTION | ITEM |
|--|-------------|--|---|
| MATERIALS LIST | | | |
| UNLESS OTHERWISE SPECIFIED 1) All dimensions are in metric(mm). 2) Tolerances are as follows: 1 PL DEC ±0.30 Fractions ±1/64 2 PL DEC ±0.16 Angles ±1° 3 PL DEC ±0.08 3) Note reference = \triangle X | | SIGNATURES DRAWN: Ronald Jul-31-2019 CHECKED: Martin Jul-31-2019 ENGINEER: APPROVAL: Tommy Jul-31-2019 CUSTOMER: | Amphenol Sine Systems - www.amphenol-sine.com 44724 Morley Drive Clinton Township, MI 48036 |
| MATERIAL SPECIFICATIONS: | | THIS DRAWING IS SUPPLIED FOR INFORMATION ONLY. DESIGN FEATURES, SPECIFICATIONS AND PERFORMANCE DATA SHOWN HEREIN ARE THE PROPERTY OF THE AMPHENOL CORPORATION. NO RIGHTS OF REPRODUCTION ARE IMPLIED. ALL DIMENSIONS ARE SUBJECT TO NORMAL MANUFACTURING VARIATIONS. | |
| PROCESS SPECIFICATIONS: | | SIZE: B TYPE: C- SCALE: NONE | DWG NO: RTS714*D19S03 REVISION: A1 |
| NEXT ASS'Y: | | SHEET 1 OF 1 | |

TITLE: ECOMATE RECEPTACLE, JAM NUT, SIZE 19 POS, SOCKET CONTACT
 DWG NO: RTS714*D19S03
 REV: A1
 SH: 1
 DF: 1