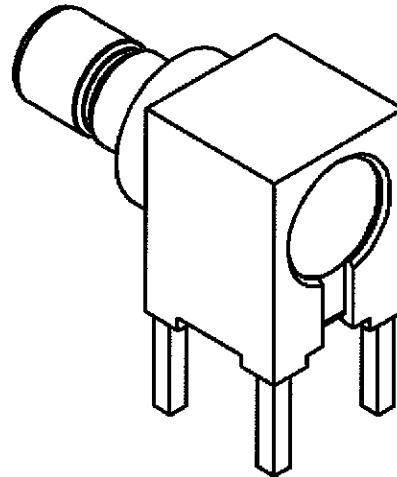
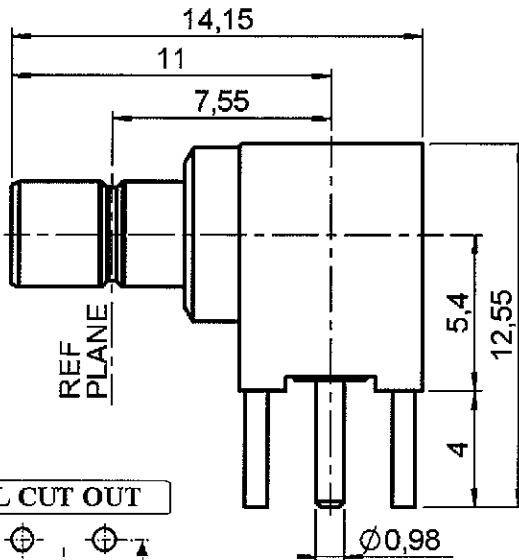
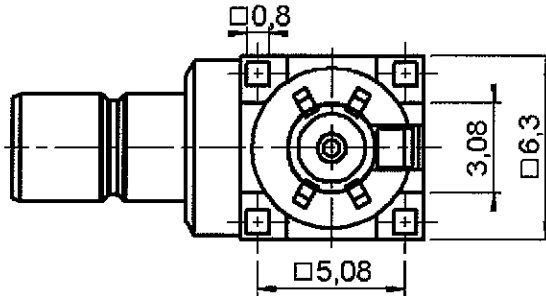


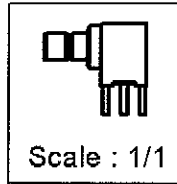
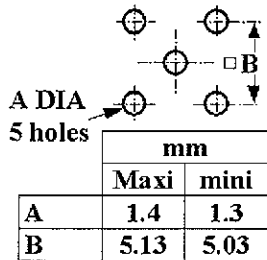
**R/A JACK RECEPTACLE FOR PCB
SOLDER LEGS**

R114.665.020

Series : SMB



PANEL CUT OUT



All dimensions are in mm.

pn

an



| COMPONENTS | MATERIALS | PLATING (µm) |
|----------------|-----------|------------------------|
| BODY | BRASS | NICKEL 2 |
| CENTER CONTACT | BRASS | GOLD 0.5 OVER NICKEL 2 |
| OUTER CONTACT | - | - |
| INSULATOR | PTFE | - |
| GASKET | - | - |
| OTHERS PARTS | BRASS | NICKEL 2 |
| - | - | - |
| - | - | - |

Issue : 0707 K

In the effort to improve our products, we reserve the right to make changes judged to be necessary.



R/A JACK RECEPTACLE FOR PCB
SOLDER LEGS

R114.665.020

Series : **SMB**

PACKAGING

| Standard | Unit | Other |
|------------|-------------------|-------------------|
| 100 | 'W' option | Contact us |

SPECIFICATION

ELECTRICAL CHARACTERISTICS

| | | |
|---------------------------------|------------------------------|--------------------------|
| Impedance | 50 | Ω |
| Frequency | 0-4 | GHz |
| VSWR | 1.20* + 0.0000 | x F(GHz) Maxi |
| Insertion loss | 0.25* | \sqrt{F} (GHz) dB Maxi |
| RF leakage | - (57) | - F(GHz)) dB Maxi |
| Voltage rating | 500 | Veff Maxi |
| Dielectric withstanding voltage | 1000 | Veff mini |
| Insulation resistance | 1000 | M Ω mini |

ENVIRONMENTAL

| | | |
|-----------------------|-----------------|--------------|
| Operating temperature | -65/+165 | $^{\circ}$ C |
| Hermetic seal | NA | Atm.cm3/s |
| Panel leakage | NA | |

OTHER CHARACTERISTICS

Assembly instruction **NA**

Others :

* Coaxial Transmission Line Only

MECHANICAL CHARACTERISTICS

| | | |
|----------------------------|---------------|-------------|
| Center contact retention | | |
| Axial force – Mating end | 10 | N mini |
| Axial force – Opposite end | 10 | N mini |
| Torque | NA | N.cm mini |
| Recommended torque | | |
| Mating | NA | N.cm |
| Panel nut | NA | N.cm |
| Mating life | 500 | Cycles mini |
| Weight | 0.0000 | g |

Issue : 0707 K

In the effort to improve our products, we reserve the right to make changes judged to be necessary.

