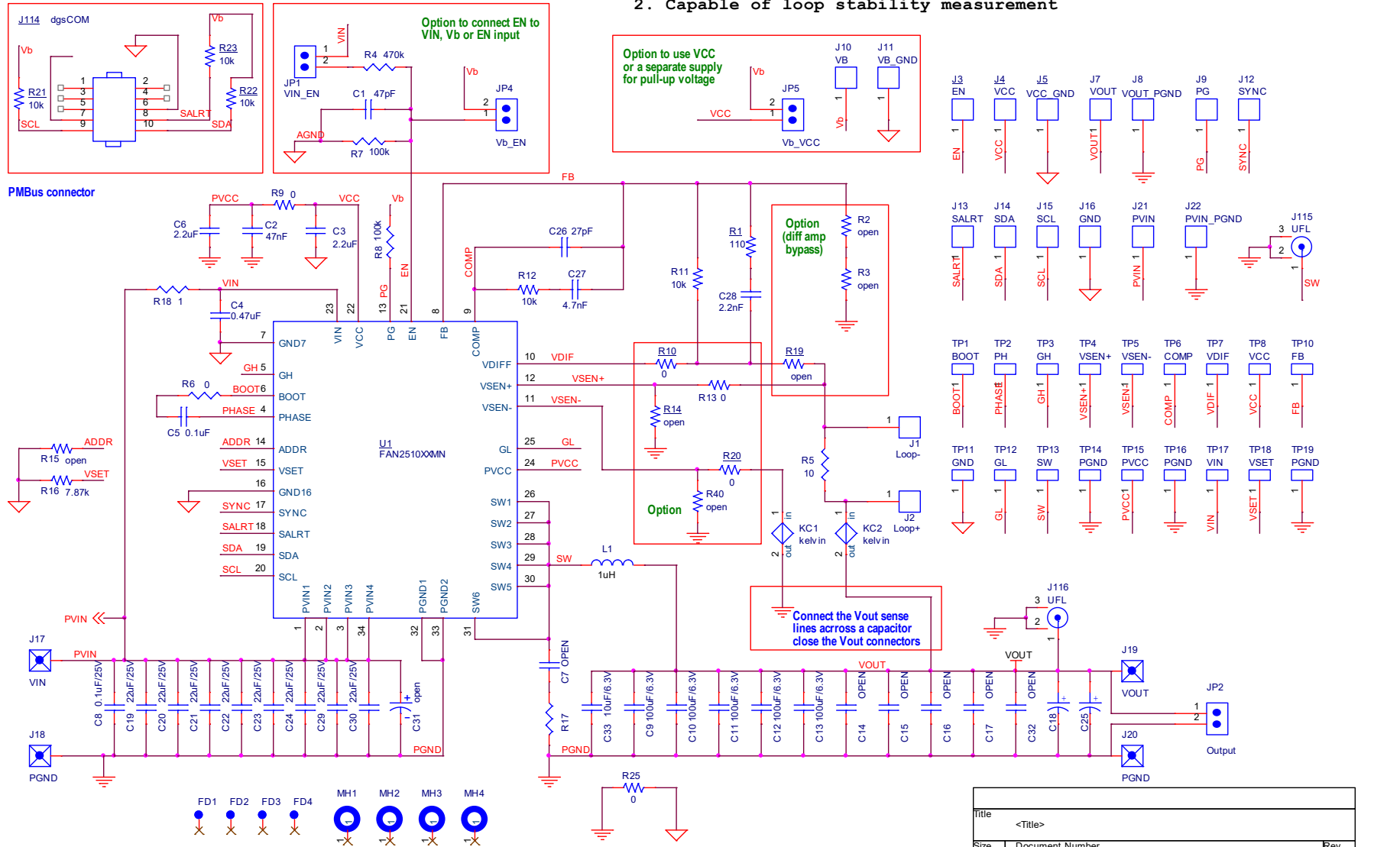


Schematic for the FAN251015EVB Evaluation Board

FAN2510XXMN Evaluation Board Schematic

This board has the following features

1. Capable of inductor current measurement (can insert a wire loop)
2. Capable of loop stability measurement



Title		<Title>
Size	Document Number	Rev
	Custom=Doc>	<Rev Code>
Date:	Monday, May 10, 2021	Sheet 1 of 1