



MADE  
IN THE USA

### Product Description:

- Kit Includes:
  - RS001-0223 Respiratory Hygiene Station
    - Holds two boxes of face masks, one - two boxes of facial tissues or one box of gloves, and one hand sanitizer bottle or hand sanitizing wipe canister
    - BOWMAN® Signature Series - Maple Fauxwood ABS Plastic
  - MP-070 Sign Holder - Vertical
    - Holds 8.5" x 11" signage
    - Clear PETG Plastic
- Assembly hardware included

### Primary Area for Product Usage:

- All ports of entry
- Anywhere respiratory hygiene products are needed

### Dispenses:

- Left: Bottles no larger than 4.06"W x 4.06"D or 4.00" diameter (10.5 cm x 10.5 cm)
- Middle: Box(es) no larger than 7.75"W x 4.00"H x 4.75"D (19.7 cm x 10.2 cm x 12.1 cm)
- Right: Box(es) no larger than 5.50"W x 10.00"H x 4.75"D (14.0 cm x 25.4 cm x 12.1 cm)

### Product Specifications (overall assembled dimensions):

- 17.90"W x 22.30"H x 4.45"D (45.5 cm x 56.6 cm x 11.3 cm)
- 3.3 lbs (1.5 kg) - approximated

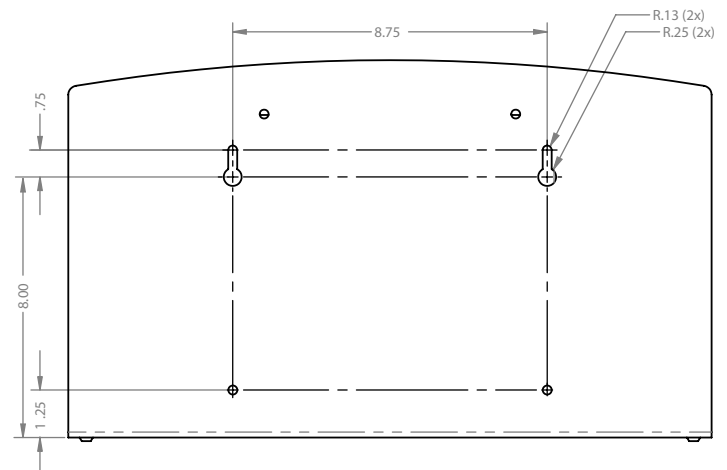
### Package Specifications:

- Package Quantity: 1 per case
- 20"L x 12"W x 8"H (50.8 cm x 30.5 cm x 20.3 cm)
- 6.0 lbs (2.7 kg) - approximated



Sanitizer, face masks,  
and tissues not included

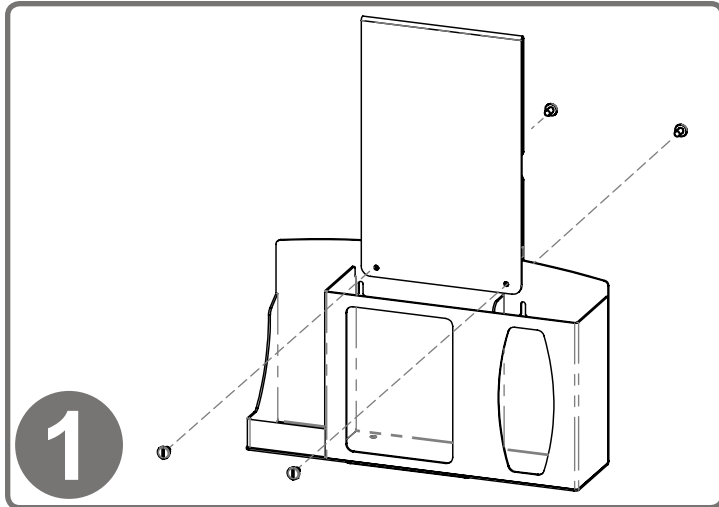
### Mounting Specifications:



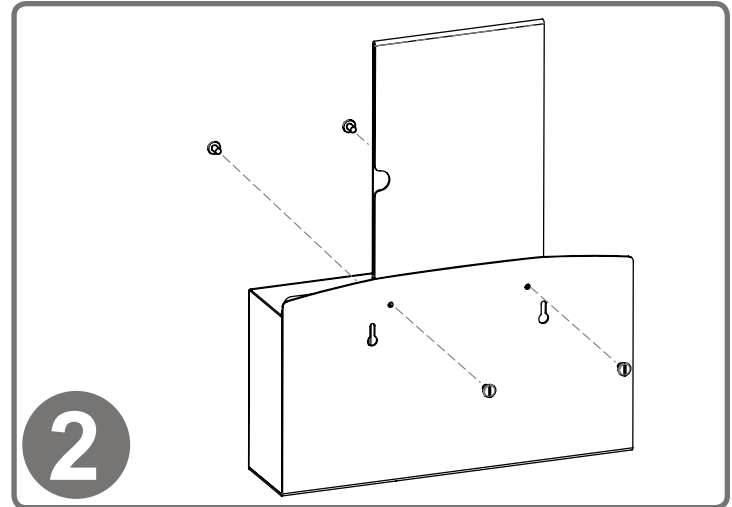


### Installation

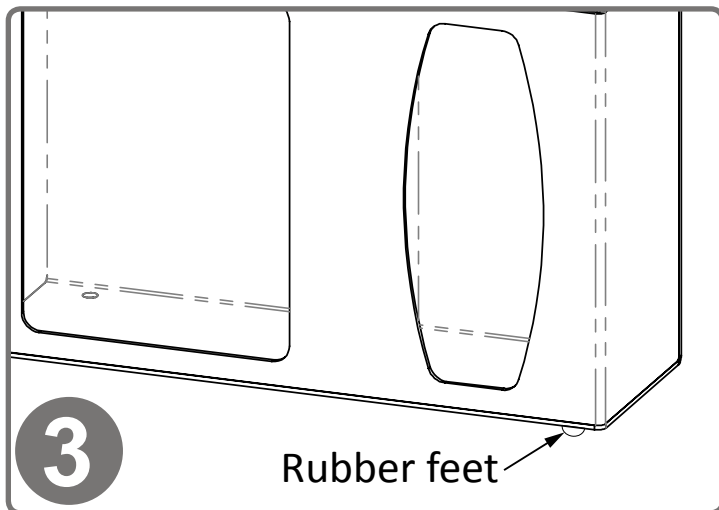
Always mount dispensers securely *prior* to loading with product.



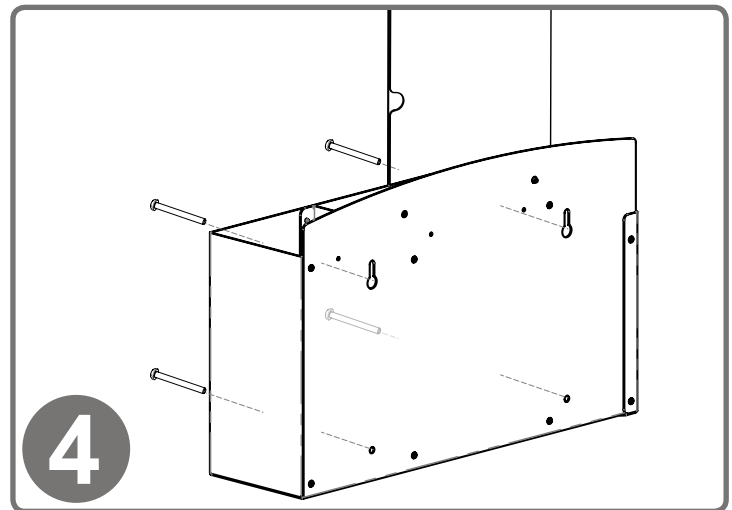
To mount the MP-070 Sign Holder, align the holes of the holder with the holes of the dispenser. With a flathead screwdriver, attach using (2x) barrel screws included with sign holder.



Thumb access to signage goes toward back of dispenser.



For placing on counter, attach (4x) self-adhesive rubber feet at each of the bottom corners (included).



Dispenser can also be mounted securely to a wall through keyholes and screw holes in back with screws approved and supplied by building maintenance. All four mounting holes provided must be used.

#### Parts included:

- Respiratory Hygiene Station
- Sign Holder
- Hardware
  - (4x) rubber feet
  - (2x) barrel screws

#### Tools Required:

- Flathead Screwdriver

**RS001-0223**

Fauxwood ABS Plastic

**MP-070**

PETG Plastic

**Material Characteristics****Designed for Long-Term, Heavy-Duty Applications**

The combination of copolymers (Acrylonitrile, Butadiene, and Styrene) gives ABS an excellent combination of strength, rigidity, and toughness. The fauxwood finish is ARVINYL laminate created from a semi-rigid film.

ABS is chemical and stress-crack resistant. It is tough, dimensionally stable, and will hold up to long-term use. To ensure product longevity, fauxwood products should not be mounted in very hot or cold areas.

Our fauxwood material is engineered to have a natural grain appearance both in Cherry and Maple finishes. The two color choices provide a visually appealing, upscale option to any area.

**Designed for Long-Term, Heavy-Duty Applications**

Copolyester resin is designed for heavy-duty applications, and is used by BOWMAN® Dispensers. We never use acrylic in our products.

Copolyester (PETG) is typically 15-20 times tougher than general purpose acrylic. PETG is made to withstand handling and reduce losses due to breakage.

PETG resists a variety of chemicals and commonly used cleaning agents. It is tough and durable (not brittle), providing years of trouble-free functionality and long life.

Clear optical characteristics mean the viewer can see the content, read text, and see true colors through the material. It complies with FDA regulations for food contact.

**Care and Cleaning**

BOWMAN® *Signature Series* products can be cleaned with standard hospital cleaning products. Petroleum-based oils, solvents, and paints should not be used.

Standard hospital cleaning supplies can be used.

Most cleaning chemicals do not weaken the surface or cause damage to the material. Suggested cleaning method is to use a soft cloth, warm water, and mild soap.