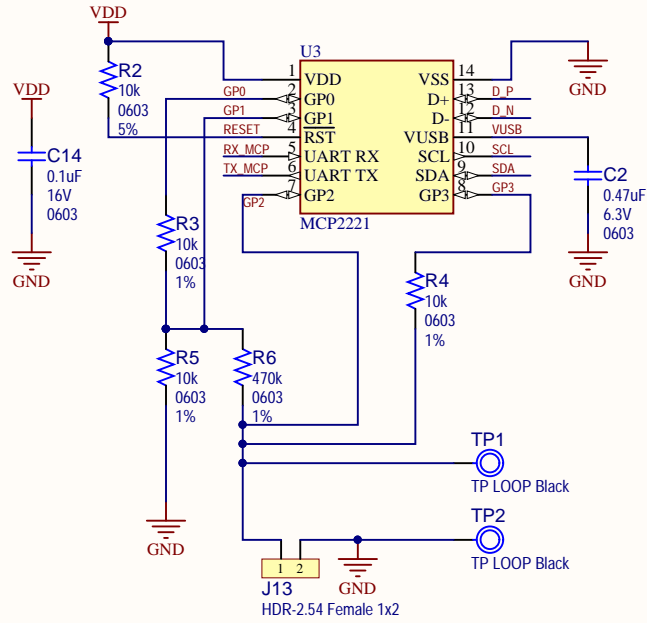
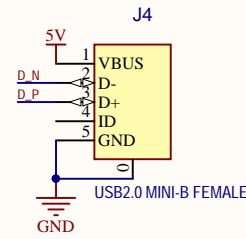


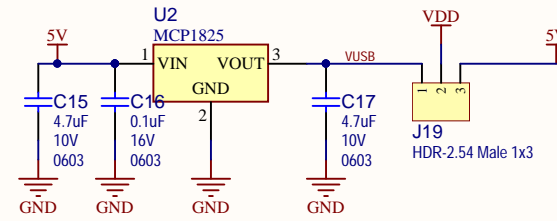
MCP2221 and R/C measurement circuit



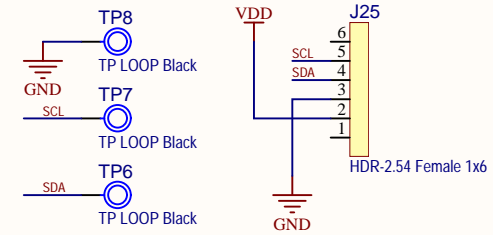
USB connector for MCP2221



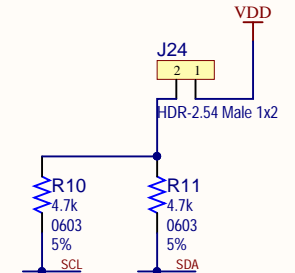
Power module



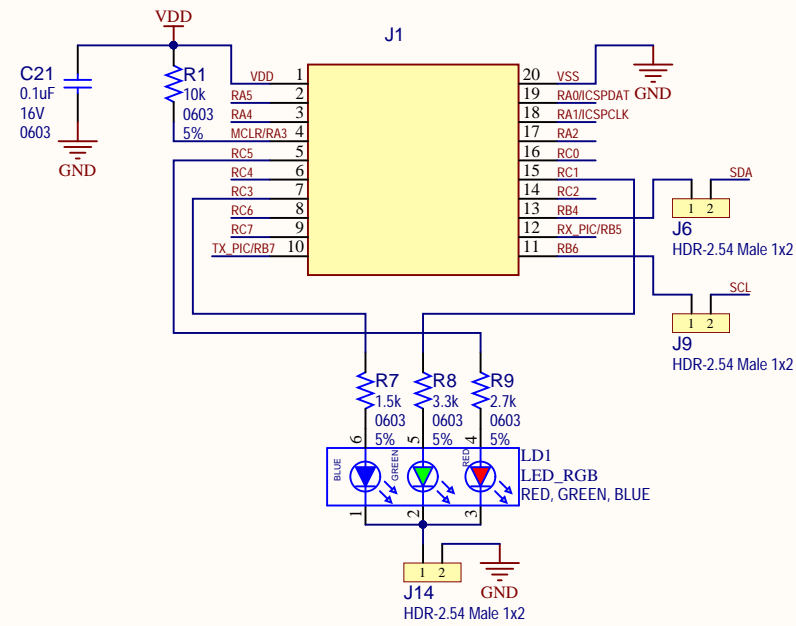
I2C bus pinouts



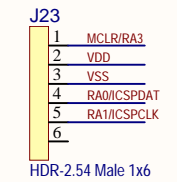
I2C Pull-Up Resistors



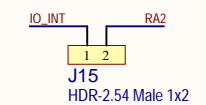
PIC16F1509 microcontroller



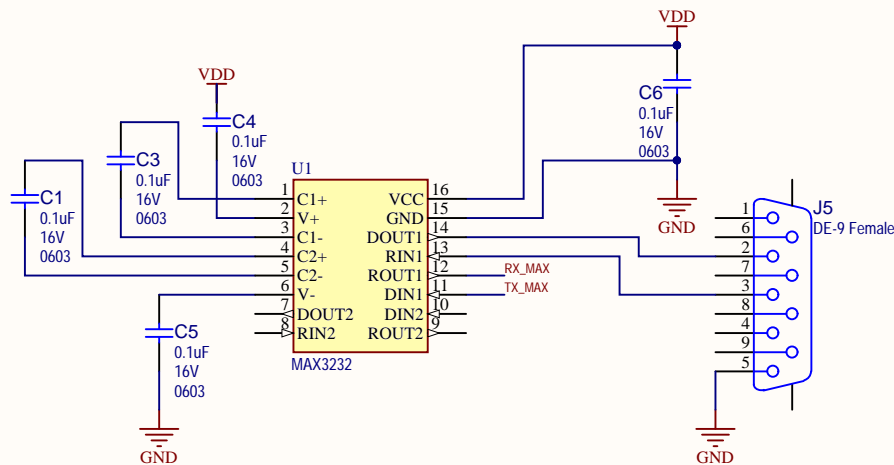
ICSP connector



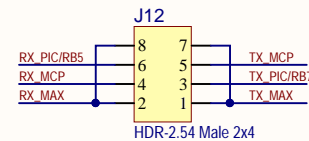
MCP23008 interrupt pin to PIC



MAX3232 UART adapter and RS-232 connector

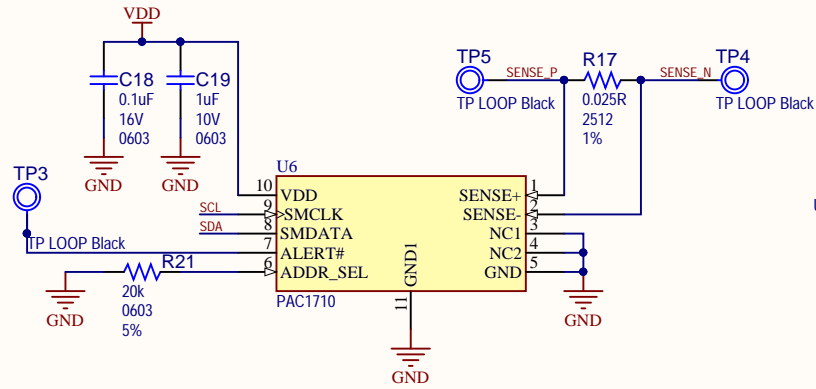


UART connectivity selection jumpers

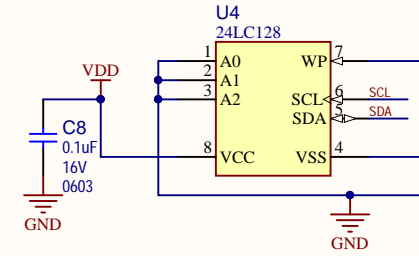


Drawn By: Valentin Stoia		
Engineer: Valentin Stoia		
PartNumber: ADM00678	Project Title MCP2221 I2C Demo Board	
Sheet Title Interface	Designed with 	
Size B	Sch #03-10437	Date: 1/13/2016 4:21:53 PM
	Revision:1	Sheet 1 of 3
File: D01 - Interface.SchDoc		

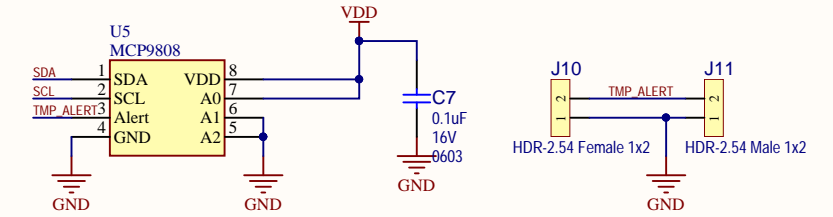
PAC1710 USB current and power measurer



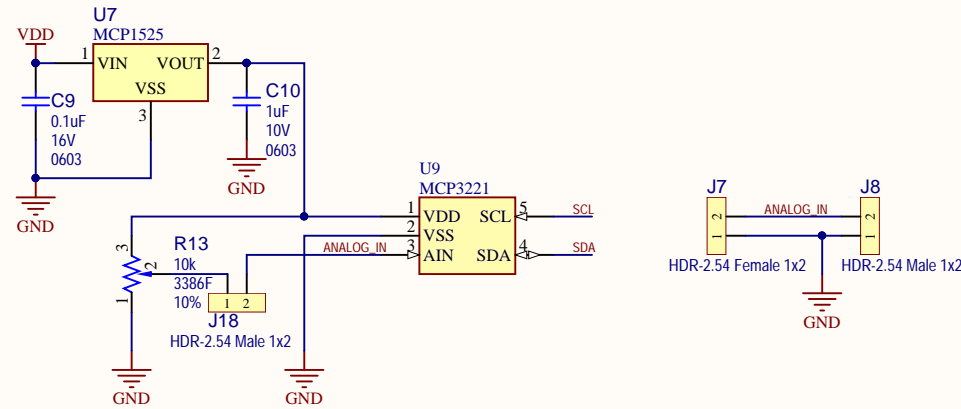
24LC128 EEPROM



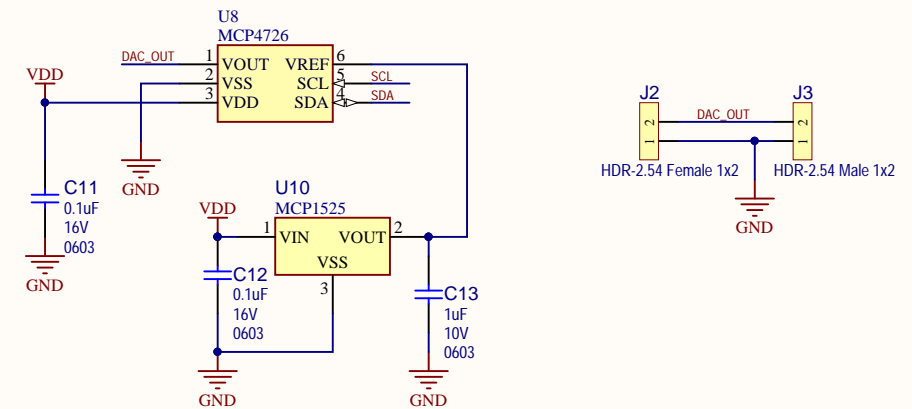
MCP9808 Temperature sensor



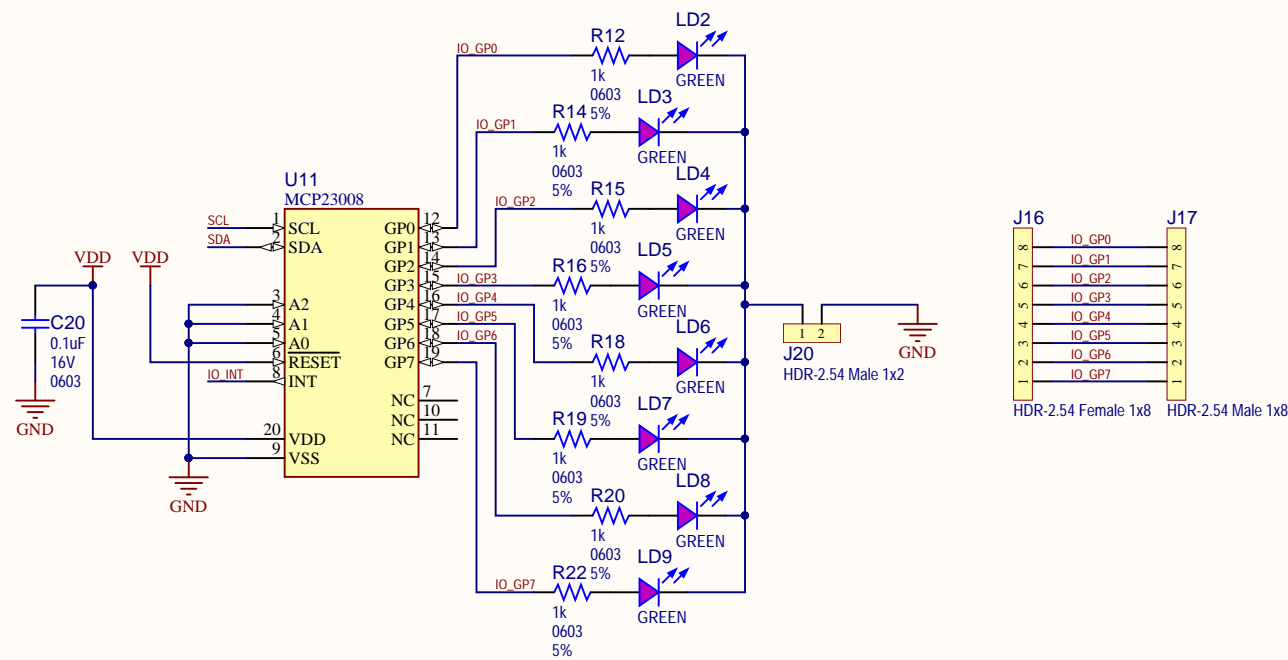
MCP3221 ADC



MCP4726 DAC



MCP23008 GPIO Expander



Drawn By: Valentin Stoia		
Engineer: Valentin Stoia		
PartNumber: ADM00678	Project Title MCP2221 I2C Demo Board	
Sheet Title Slaves	Designed with 	
Size B	Sch #03-10437 Revision:1	Date: 1/13/2016 4:21:54 PM Sheet 2 of 3
File: D02 - Slaves.SchDoc		

Shunts

- JP19

Shunt 2.54mm 1x2
- JP24

Shunt 2.54mm 1x2
- JP12a

Shunt 2.54mm 1x2
- JP12b

Shunt 2.54mm 1x2
- JP18

Shunt 2.54mm 1x2
- JP20

Shunt 2.54mm 1x2
- JP6

Shunt 2.54mm 1x2
- JP9

Shunt 2.54mm 1x2
- JP14

Shunt 2.54mm 1x2

Rubber pads

- PAD1

RUBBER PAD D12.7 H3.5
- PAD2

RUBBER PAD D12.7 H3.5
- PAD3

RUBBER PAD D12.7 H3.5
- PAD4

RUBBER PAD D12.7 H3.5

Need Help?
 <http://support.microchip.com>
Assy# Serial #

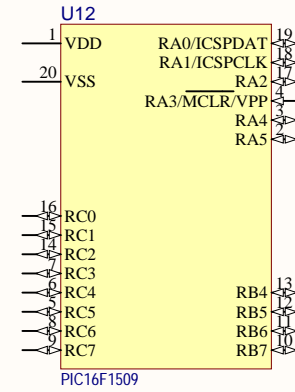
LABEL1


USB cables


- CBL1

USB-A Male to Mini USB-B Male
- CBL2

USB-A Male to Mini USB-B Male



Drawn By: Valentin Stoia		 MICROCHIP
Engineer: Valentin Stoia		
PartNumber: ADM00678		Project Title MCP2221 I2C Demo Board
Sheet Title Mechanical		
Size B	Sch #03-10437	Date: 1/13/2016 4:21:54 PM
	Revision: 1	Sheet 3 of 3
File: D03 - Mechanical.SchDoc		


 Designed with Altium.com