

注記 NOTES

1. 使用材料 MATERIALS

 - ハウジング : 液晶ポリマー(LCP) ガラス充填、UL94V-0、ナチュラル(白色系)
 - アクチュエータ : ポリアミド(PA) ガラス充填、UL94 HB、黒色
 - 奇数端子 : 燐青銅、ニッケル下地、金メッキ
 - 偶数端子 : 燐青銅、ニッケル下地、金メッキ
 - 補強金具 : 燐青銅、ニッケル下地、金メッキ
 - HOUSING : LIQUID CRYSTAL POLIMER(LCP), GLASS FILLED UL94V-0, NATURAL(WHITE)
 - ACTUATOR : POLYAMIDE(PA), GLASS FILLED UL94 HB, BLACK
 - ODD TERMINAL : PHOSPHOR BRONZE, GOLD OVER NICKEL PLATING
 - EVEN TERMINAL: PHOSPHOR BRONZE, GOLD OVER NICKEL PLATING
 - FITTING NAIL : PHOSPHOR BRONZE, GOLD OVER NICKEL PLATING
2. 端子、補強金具のコプラナリティーは 0.1 以下とする
COPLANALITY OF SOLDER TAILS AND FITTING NAILS: 0.1MAX.
3. 一般公差 : ± 0.3
GENERAL TOLERANCES: ±0.3
4. ELV 及び RoHS 適合品
ELV AND RoHS COMPLIANT

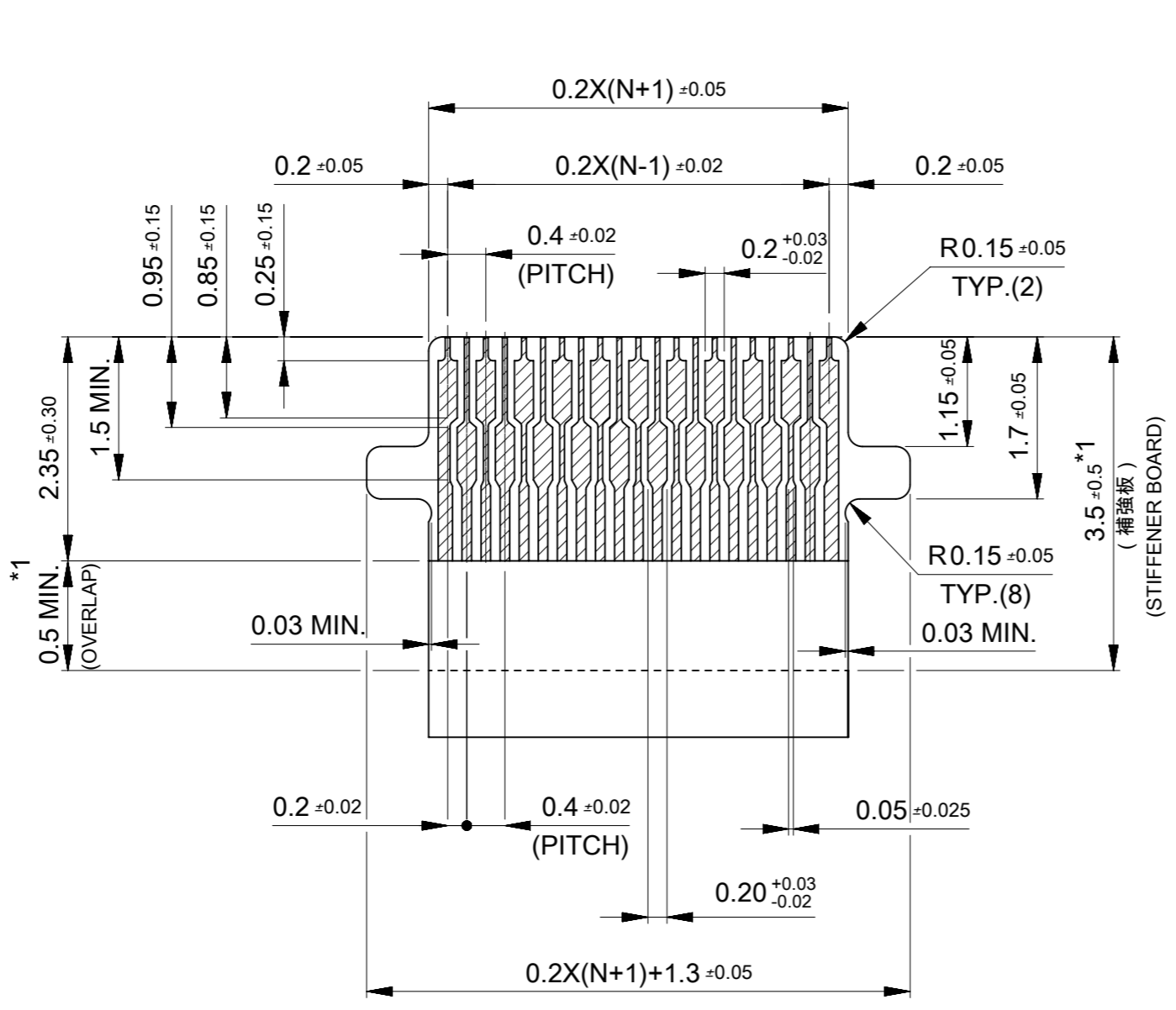
15.6	16.4	17.22	16.0	17.75	503419-0810	81
13.6	14.4	15.22	14.0	15.75	503419-0710	71
E	D	C	B	A	EMBOSSED PACKAGE	極数
オーダー番号 ORDER NO.						CIRCUITS

CONNECTOR SERIES NO. 503419-***8

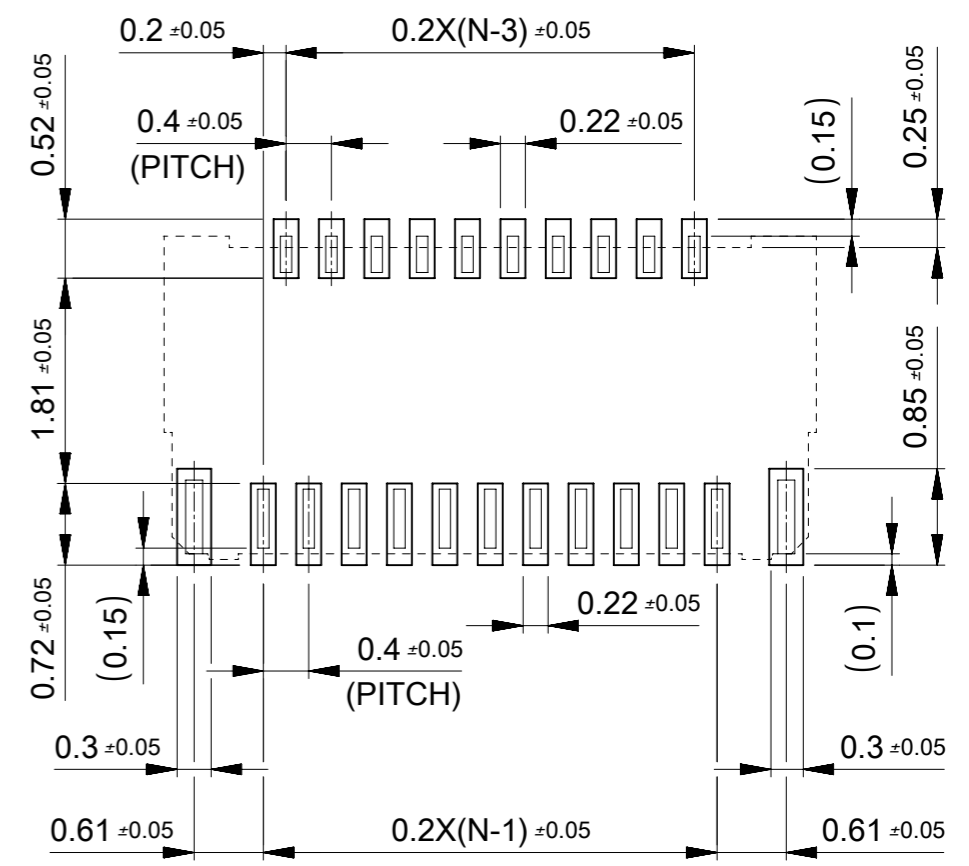
THIS DRAWING CONTAINS INFORMATION THAT IS PROPRIETARY TO MOLEX ELECTRONIC TECHNOLOGIES, LLC AND SHOULD NOT BE USED WITHOUT WRITTEN PERMISSION											
DIMENSION UNITS		SCALE		CURRENT REV DESC: OBSOLETE PART NO							
MM		NTS									
GENERAL TOLERANCES (UNLESS SPECIFIED)											
4 PLACES ±		±		EC NO: 618848				DOCUMENT NUMBER			
3 PLACES ±		±		DRWN: AKUMAR19 2018/07/06				DOC TYPE			
2 PLACES ±		±		CHK'D: GGA 2019/09/05				DOC PART			
1 PLACE ±		±		APPR: GGA 2019/09/05				REVISION			
0 PLACES ±		±		INITIAL REVISION:				SD-503419-001			
ANGULAR TOL ± 1.0°		± 1.0°		DRWN: NKONDO 2011/11/15				PSD			
DRAFT WHERE APPLICABLE MUST REMAIN WITHIN DIMENSIONS		THIRD ANGLE PROJECTION		DRAWING		SERIES		MATERIAL NUMBER		CUSTOMER	
				A3-SIZE		503419		SEE TABLE		GENERAL CUSTOMER	

補強板 : ポリイミド
 STIFFENER BOARD: POLYIMIDE
 熱硬化接着剤
 THERMOSETTING ADHESIVE
 ケースフィルム : ポリイミド (25μm)
 BASE FILM: POLYIMIDE (25μm)
 熱硬化接着剤
 THERMOSETTING ADHESIVE
 導体部 : 銅箔 (12μm)
 COPPER FOIL (12μm)
 熱硬化接着剤
 THERMOSETTING ADHESIVE
 カバーレイ : ポリイミド (25μm)
 COVER FILM: POLYIMIDE (25μm)

FPC構成推奨仕様
 STRUCTURE OF FPC



適合するFPC推奨寸法 (参考)
 APPLICABLE FPC
 PATTERN DIMENSIONS(REF.)
 (端子部仕上がり厚さ : 0.2±0.03)
 (THICKNESS: 0.2±0.03)



参考基板レイアウト
 RECOMMENDED PCB
 PATTERN DIMENSIONS(REF.)

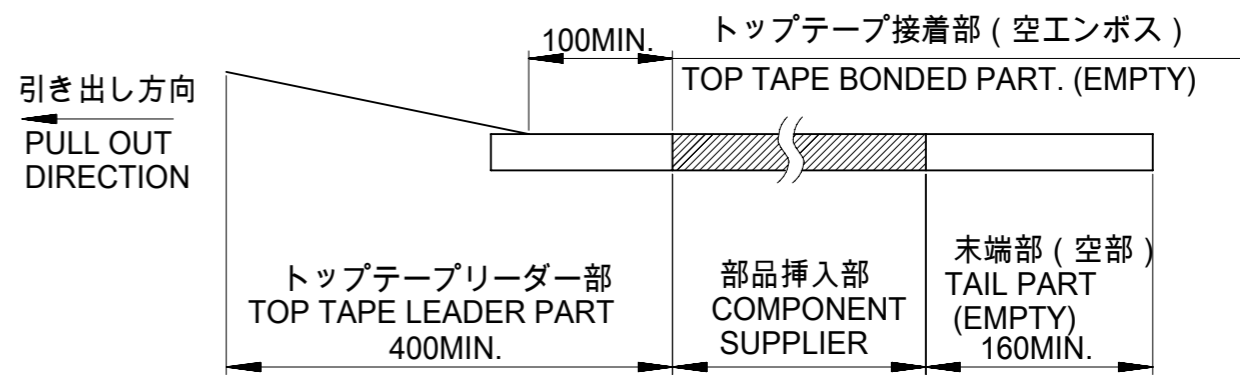
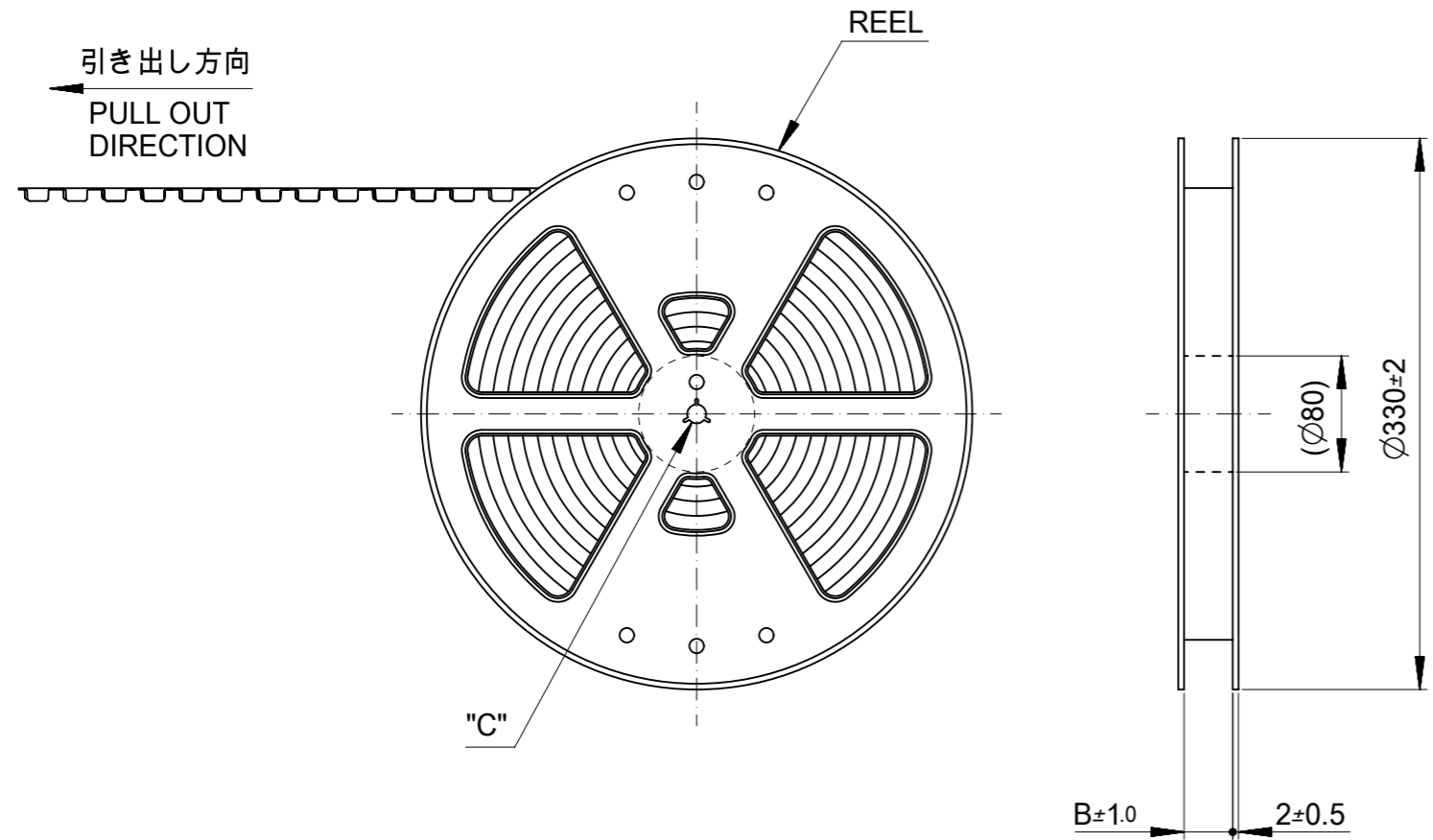
推奨ペースト厚 : 100μm
 推奨マスク開口率 : 80%
 RECOMMEND SCREEN THICKNESS : 100μm
 RECOMMEND SCREEN OPEN RATIO : 80%

- FPCについて (ABOUT FPC)
 抜き方向は、導体側から補強板側を推奨します
 補強板材質はポリイミド、接着剤は熱硬化接着剤を推奨します
 なお、接着剤の接点部への付着は導通不良の原因となりますので
 染み出しがないよう、お願いします
 RECOMMENDED PUNCHER DIRECTION:
 FROM CONDUCTOR SIDE TO STIFFENER BOARD SIDE
 RECOMMENDED MATERIAL:
 STIFFENER BOARD: POLYIMIDE
 BONDING AGENT: THERMOSETTING AGENT
 PLEASE PUT APPROPRIATE AMOUNT OF ADHESIVE ON
 ADHEREND BECAUSE THERE IS A POSSIBILITY THAT
 THE EXTRA ADHESIVE CAUSES THE DEFECT IN
 ELECTRICAL CONTINUITY
- FPCパターンのメッキ仕様は
 金メッキ : 0.1μm 以上
 下地ニッケルメッキ : 2~6μm
 FPC PATTERN PLATING
 GOLD PLATING : 0.1μm MINIMUM
 NICKEL UNDER PLATING : 2~6μm
- *1 補強板長さが図面通り確保できない場合は、カバーレイと
 補強板のオーバーラップ寸法を 以上としてください
 WHEN STIFFENER BOARD DIMENSION CAN NOT
 SECURE AS DRAWING, PLEASE GIVE THE OVERLAP
 SIZE OF COVER FILM AND STIFFENER BOARD AS 0.5mm MINIMUM

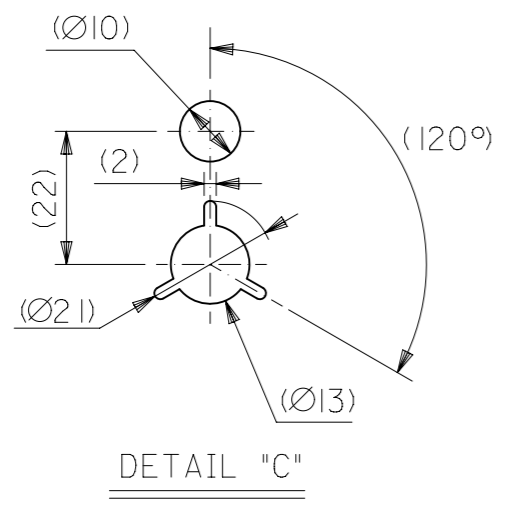
THIS DRAWING CONTAINS INFORMATION THAT IS PROPRIETARY TO MOLEX ELECTRONIC TECHNOLOGIES, LLC AND SHOULD NOT BE USED WITHOUT WRITTEN PERMISSION									
DIMENSION UNITS		SCALE		CURRENT REV DESC: OBSOLETE PART NO					
MM		NTS							
GENERAL TOLERANCES (UNLESS SPECIFIED)									
MM		INCH							
4 PLACES ±		±							
3 PLACES ±		±		EC NO: 618848		DRWN: AKUMAR19		2018/07/06	
2 PLACES ±		±		CHK'D: GGA		APPR: GGA		2019/09/05	
1 PLACE ±		±		INITIAL REVISION:		DRWN: NKONDO		2011/11/15	
0 PLACES ±		±		ANGULAR TOL ± 1.0°		APPR: KMORIKAWA		2011/11/16	
DRAFT WHERE APPLICABLE MUST REMAIN WITHIN DIMENSIONS				THIRD ANGLE PROJECTION		DRAWING		SERIES	
				A3-SIZE		503419		MATERIAL NUMBER	
				SEE TABLE		CUSTOMER		SHEET NUMBER	
				GENERAL CUSTOMER		2 OF 2			

注記 NOTES

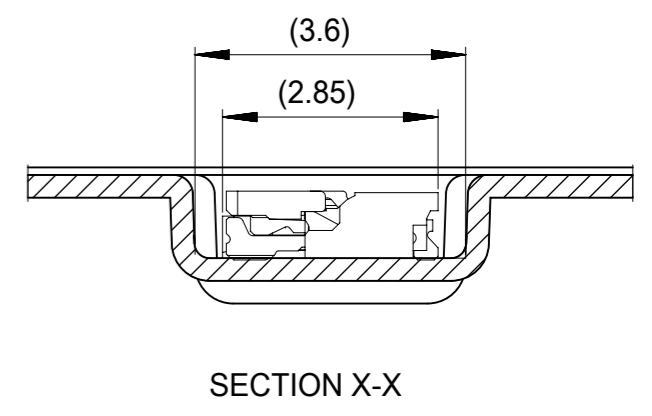
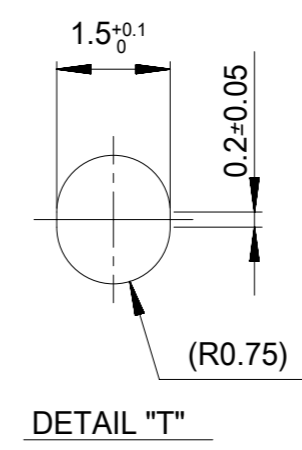
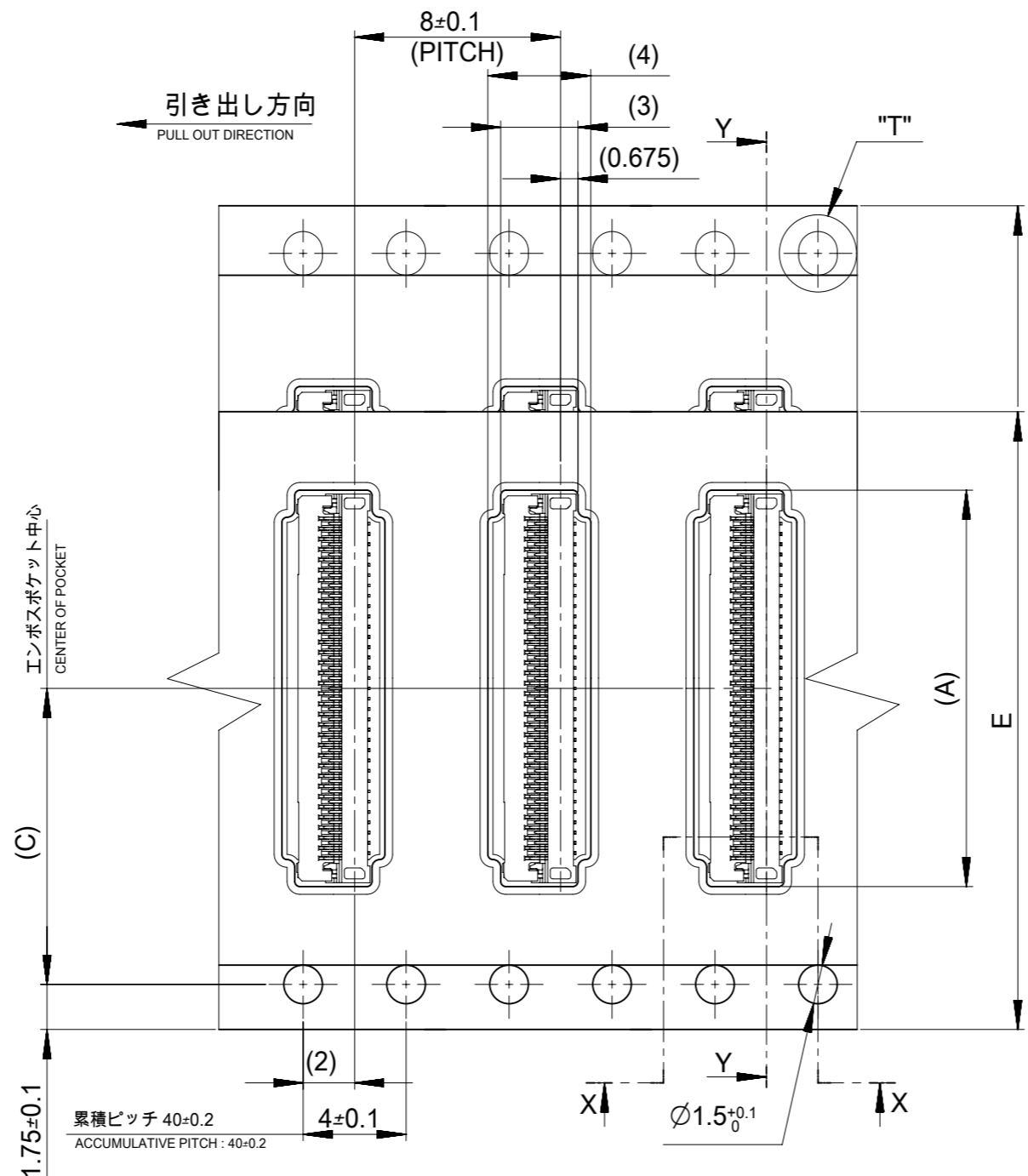
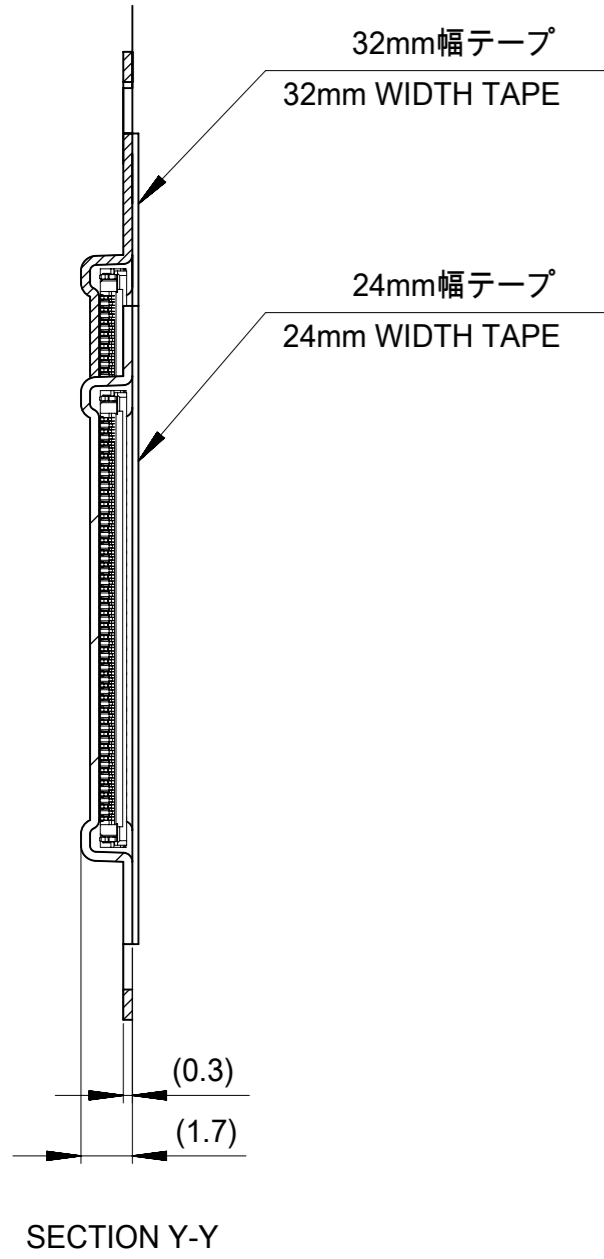
1. 製品詳細寸法については図面 SD-503419-001 を参照下さい。
RE DETAILED DIMENSION. SEE SD-503419-001
2. 梱包数量 : 5000個/リール
NUMBER OF CONNECTORS : 5000 PCS/REEL
3. リードテープ長さ LEAD TAPE LENGTH



4. 材料 MATERIAL
キャリアテープ (CARRIER TAPE): ポリスチレン (POLYSTYRENE)
トップテープ (TOP TAPE): PET, PE, PEF
リール (REEL): ポリスチレン (PS) <リサイクル材を含む>
POLYSTYRENE (PS) <RECYCLE MATERIAL CONTAINED>
5. トップテープの剥離強度については、IEC60286-3に準拠
TOP TAPE PEEL FORCE IS DEFINED BY IEC60286-3.



THIS DRAWING CONTAINS INFORMATION THAT IS PROPRIETARY TO MOLEX ELECTRONIC TECHNOLOGIES, LLC AND SHOULD NOT BE USED WITHOUT WRITTEN PERMISSION		CURRENT REV DESC:		molex	
DIMENSION UNITS	SCALE	EC NO: 618848			
mm	NTS	DRWN: AKUMAR19 2018/06/26		PRODUCT CUSTOMER DRAWING	
GENERAL TOLERANCES (UNLESS SPECIFIED)		CHK'D: GGA 2019/09/05		DOCUMENT NUMBER	
	MM	INCH	APPR: GGA 2019/09/05		SD-503419-002
4 PLACES	±	±	INITIAL REVISION:		DOC TYPE
3 PLACES	±	±	DRWN: NKONDO 2011/11/15		DOC PART
2 PLACES	±	±	APPR: KMORIKAWA 2011/11/16		REVISION
1 PLACE	±	±	ANGULAR TOL ± 1.0°		001
0 PLACES	±	±	DRAFT WHERE APPLICABLE MUST REMAIN WITHIN DIMENSIONS		E
THIRD ANGLE PROJECTION		DRAWING	SERIES	MATERIAL NUMBER	CUSTOMER
A3-SIZE		503419	SEE TABLE	GENERAL MARKET	SHEET NUMBER
					1 OF 2



32±0.3	28.4	14.2	33.4	18.2	503419-0810	81				
24±0.3	---	11.5	25.4	16.2	503419-0710	71				
E キャリアテープ幅 EMBOSSED TAPE WIDTH					D	C	B	A	EMBOSSED TYPE PACKAGE オーダー番号 ORDER NO.	極数 CIRCUITS

THIS DRAWING CONTAINS INFORMATION THAT IS PROPRIETARY TO MOLEX ELECTRONIC TECHNOLOGIES, LLC AND SHOULD NOT BE USED WITHOUT WRITTEN PERMISSION

DIMENSION UNITS		SCALE		CURRENT REV DESC:				molex			
mm		NTS									
GENERAL TOLERANCES (UNLESS SPECIFIED)						EC NO: 618848				0.2 FPC CONN. E/O TAPING PACKAGE (503419-0**8 SERIES)	
		MM		INCH		DRWN: AKUMAR19 2018/06/26					
4 PLACES		±		±		CHK'D: GGA 2019/09/05					
3 PLACES		±		±		APPR: GGA 2019/09/05					
2 PLACES		±		±		INITIAL REVISION:					
1 PLACE		±		±		DRWN: NKONDO 2011/11/15					
0 PLACES		±		±		APPR: KMORIKAWA 2011/11/16					
ANGULAR TOL		± 1.0°				DOCUMENT NUMBER					
DRAFT WHERE APPLICABLE MUST REMAIN WITHIN DIMENSIONS		THIRD ANGLE PROJECTION		DRAWING		SERIES		MATERIAL NUMBER		CUSTOMER	
		A3-SIZE		503419		SEE TABLE		GENERAL MARKET		SHEET NUMBER	