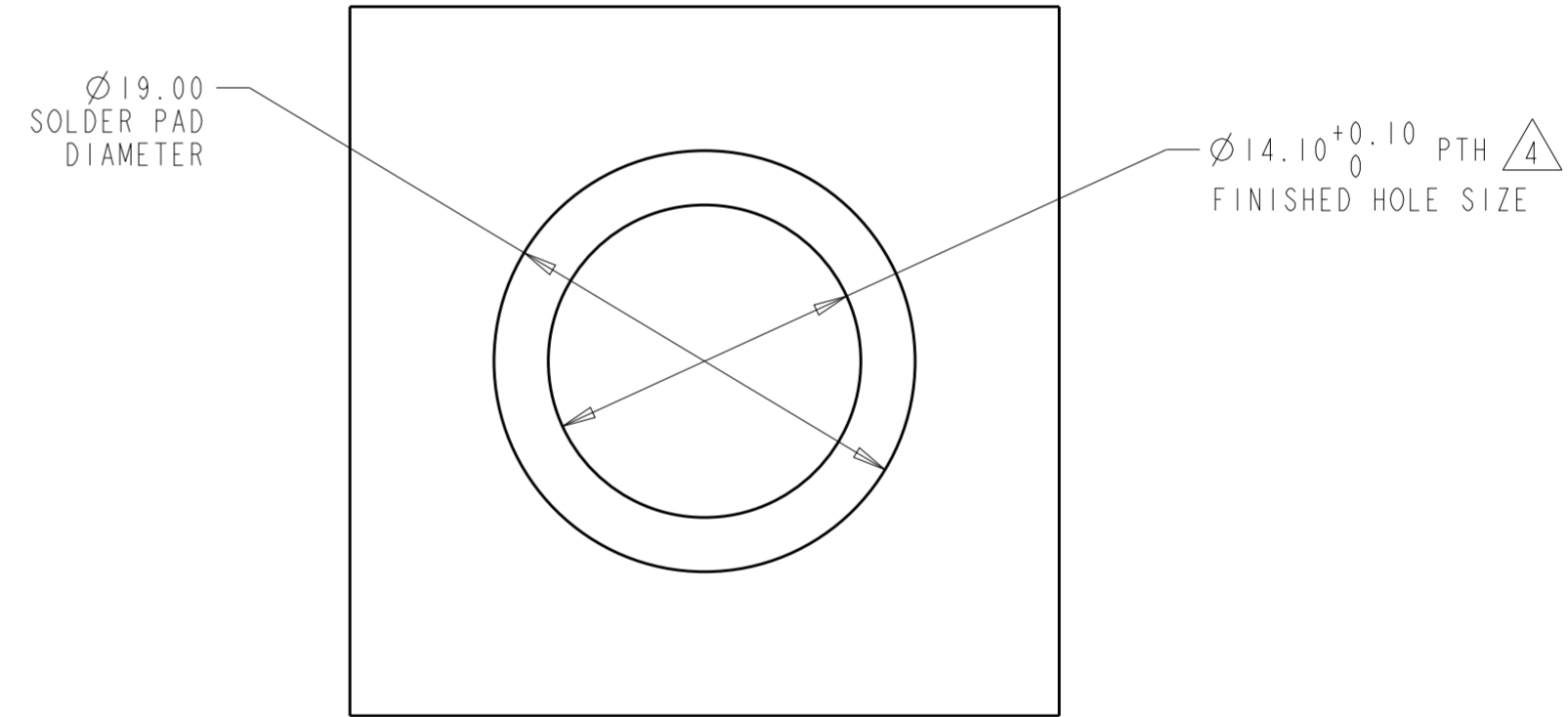
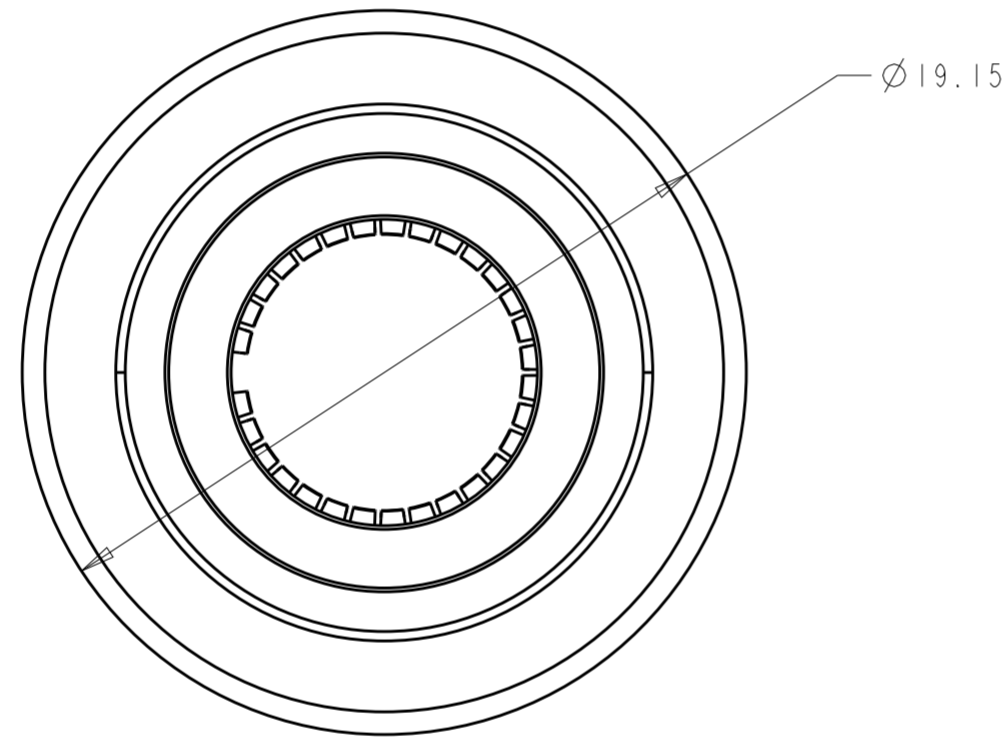
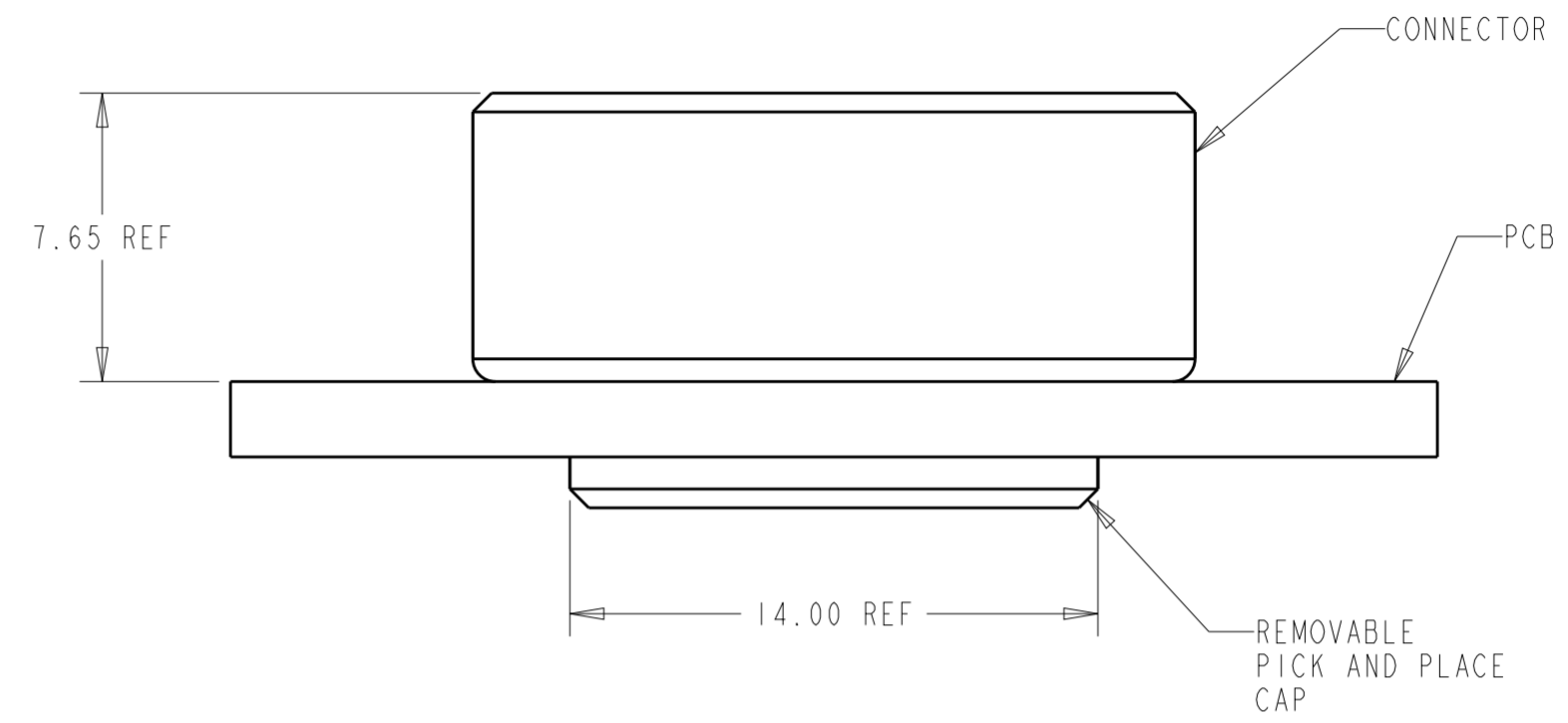
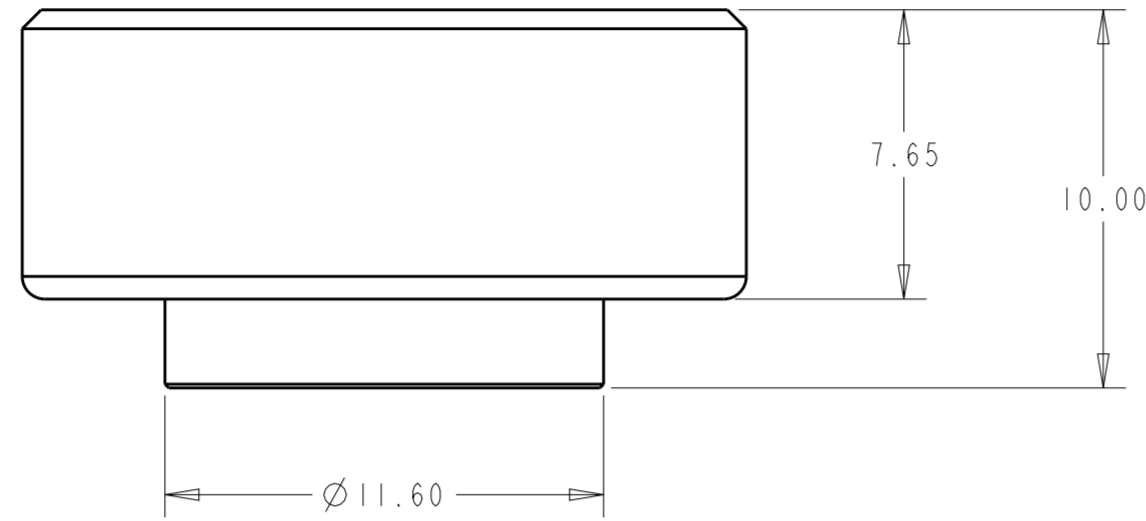


P	LTR	DESCRIPTION	DATE	DWN	APVD
	A	RELEASE	13OCT2020	AL	SZ



RECOMMENDED PCB LAYOUT

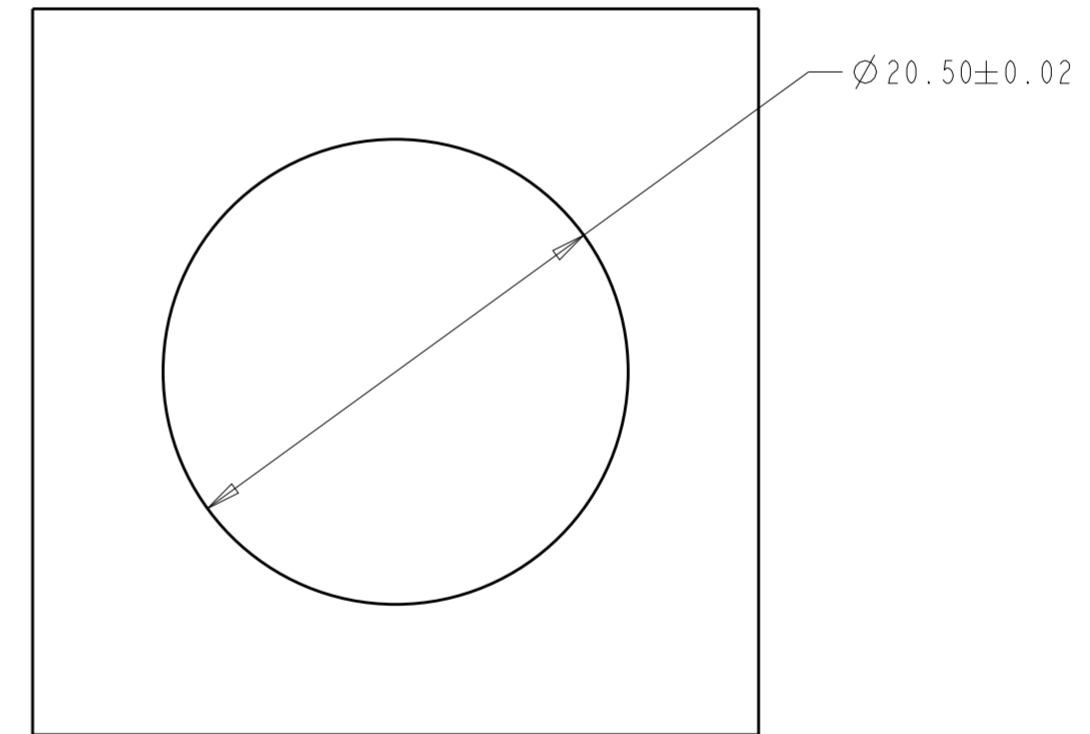
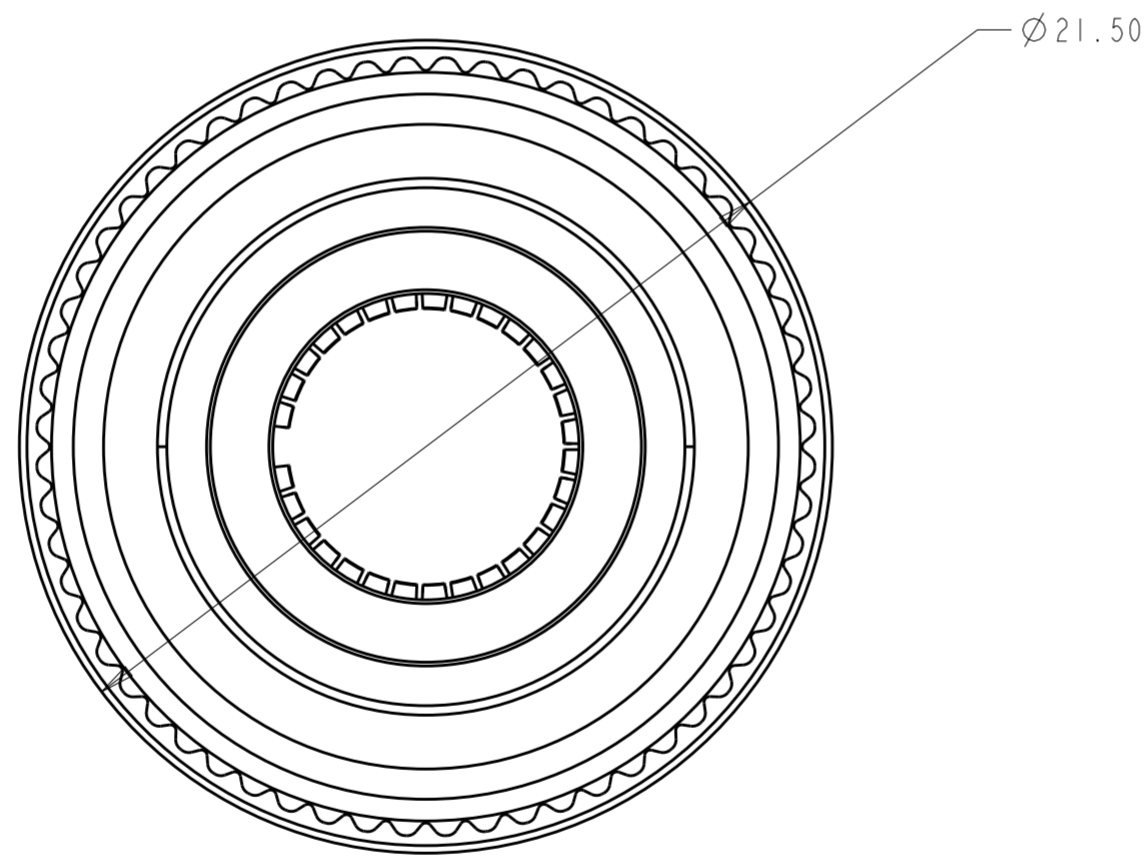
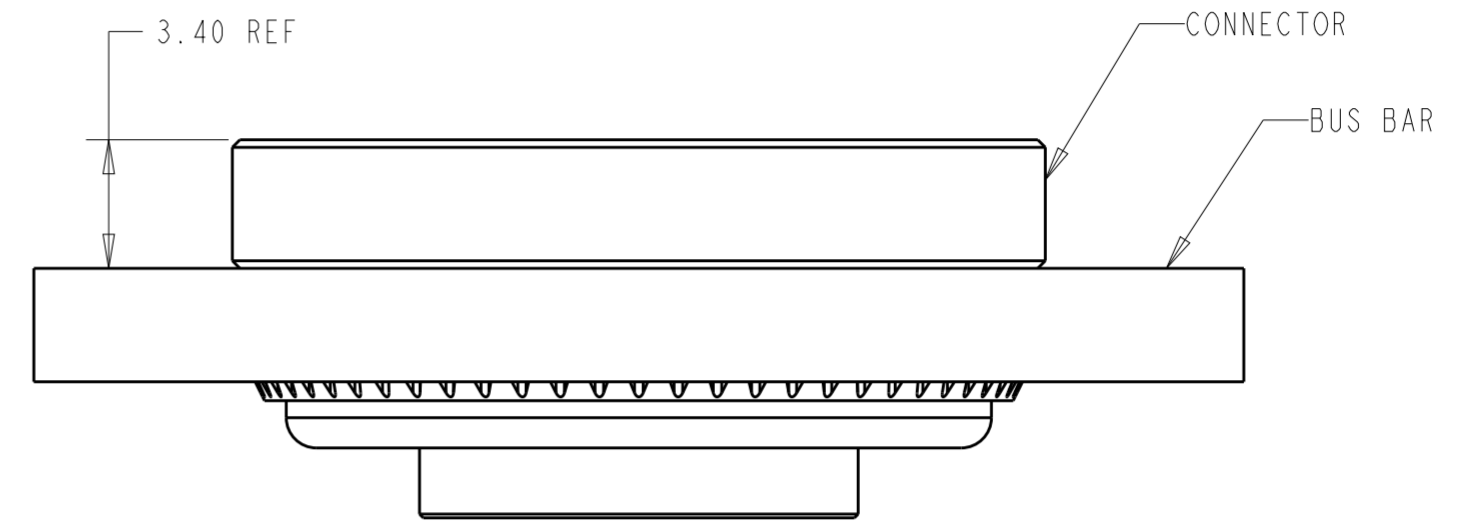
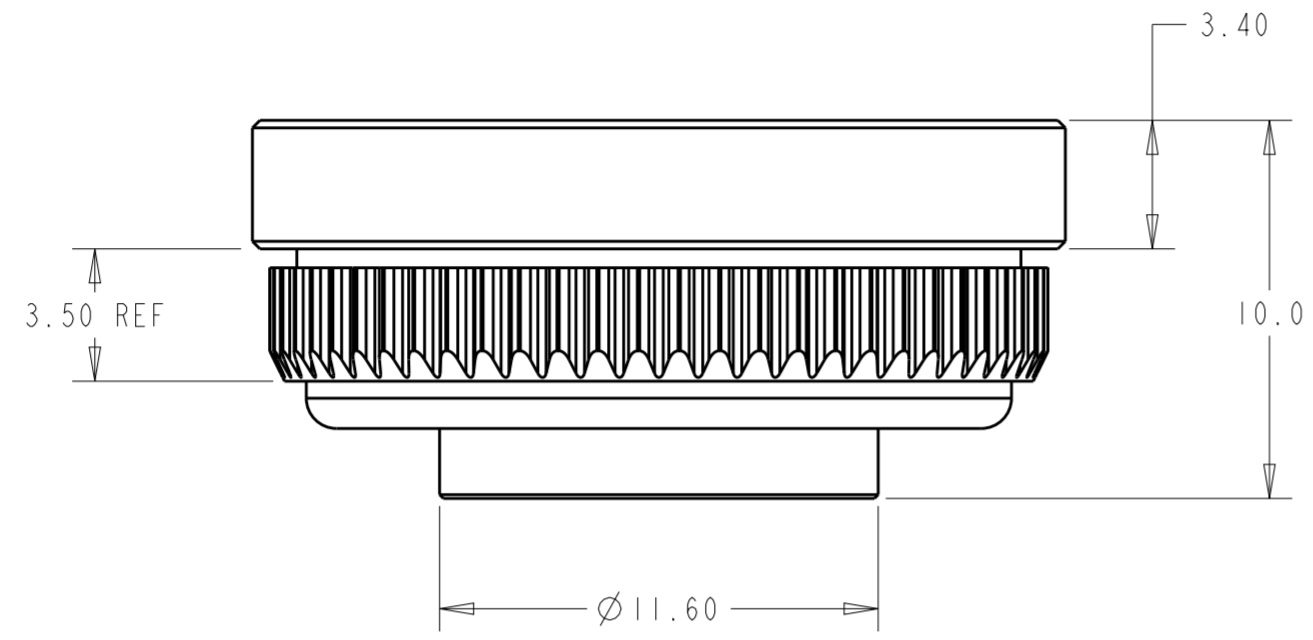
NOTES:

1. MATERIAL: COPPER ALLOY
2. FINISH: NOBLE METAL PLATING ON CONTACT AREA.
3. MATING PIN FLOATING SUPPORT:  $\pm 1.0\text{mm}$
4. RECOMMENDED DRILL HOLE SIZE: 14.25mm

2361483-1 PART NUMBER

THIS DRAWING IS A CONTROLLED DOCUMENT.		DWN ANDY LI 16AUG2019	TE Connectivity	
		CHK -		
DIMENSIONS: mm		APVD SUNY ZHAO 16AUG2019	NAME 8mm, 1mm FLOATING ROUND SOCKET	
		PRODUCT SPEC 108-128111	SIZE A2	
TOLERANCES UNLESS OTHERWISE SPECIFIED:		APPLICATION SPEC 114-128112	CAGE CODE 00779	DRAWING NO C-2361483
0 PLC $\pm$ 1 PLC $\pm 0.3$ 2 PLC $\pm 0.2$ 3 PLC $\pm 0.1$ 4 PLC $\pm 0.0001$ ANGLES $\pm$ FINISH $\pm$		WEIGHT -	RESTRICTED TO -	
MATERIAL -		CUSTOMER DRAWING		SCALE 5:1 SHEET 1 OF 3 REV A

P	LTR	DESCRIPTION	DATE	DWN	APVD
		SEE SHEET 1			



RECOMMENDED BUS BAR LAYOUT

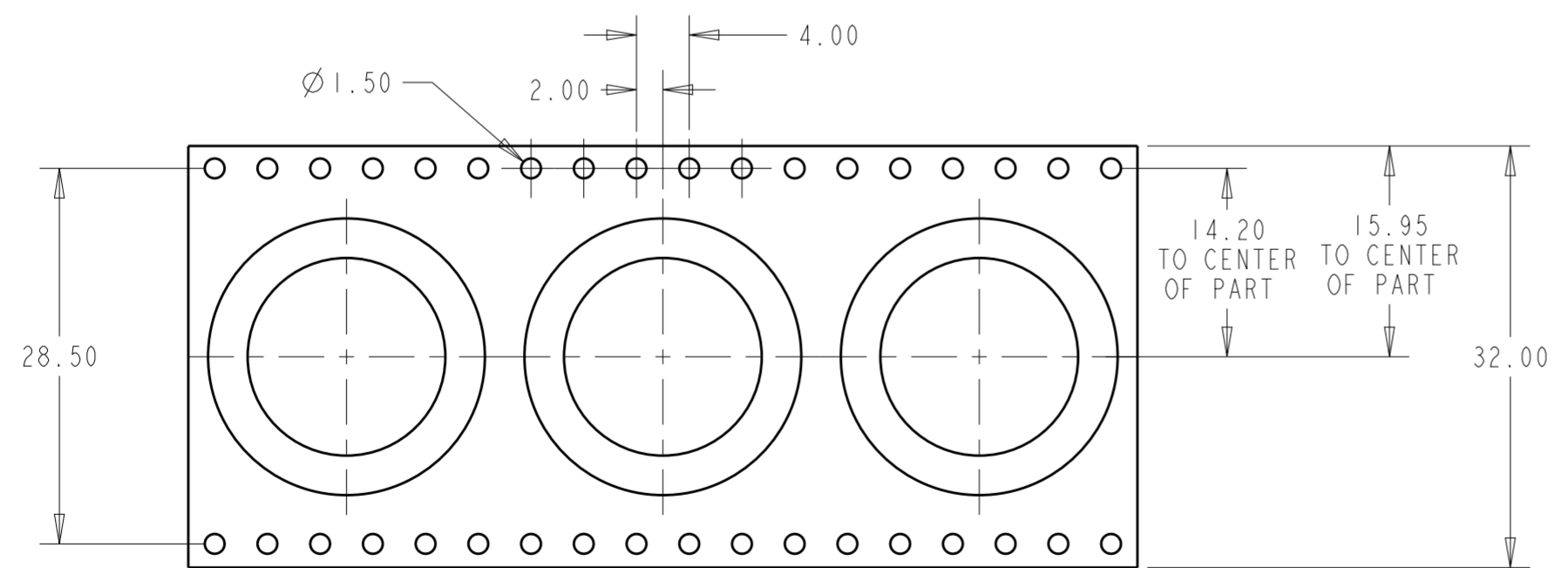
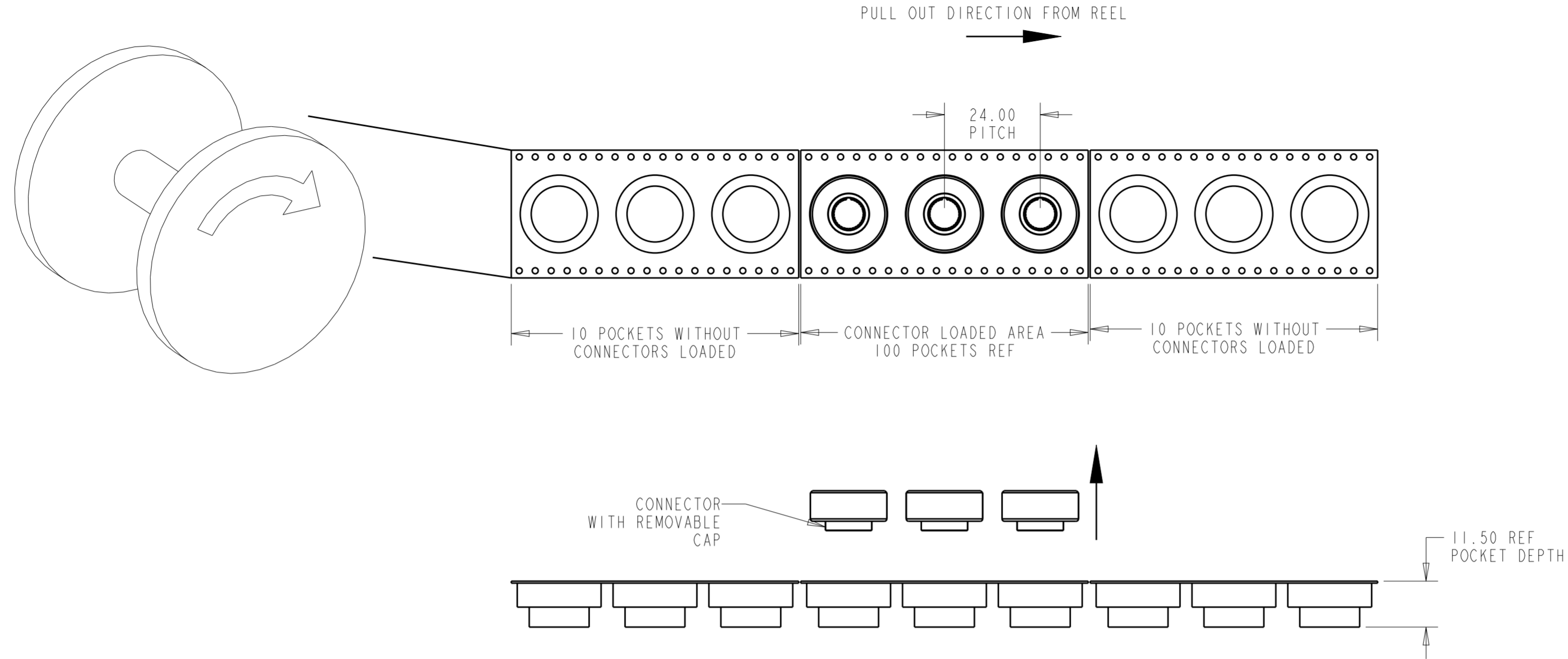
NOTES:

1. MATERIAL: COPPER ALLOY
2. FINISH: NOBLE METAL PLATING ON CONTACT AREA.
3. MATING PIN FLOATING SUPPORT: ±1.0mm

1-2361483-1 PART NUMBER

THIS DRAWING IS A CONTROLLED DOCUMENT.		DWN ANDY LI 16AUG2019	TE Connectivity	
DIMENSIONS: mm		CHK -		
TOLERANCES UNLESS OTHERWISE SPECIFIED:		APVD SUNY ZHAO 16AUG2019	NAME 8mm, 1mm FLOATING ROUND SOCKET	
0 PLC ±		PRODUCT SPEC 108-128111	SIZE A2	
1 PLC ±0.3		APPLICATION SPEC 114-128112	CAGE CODE 00779	DRAWING NO C-2361483
2 PLC ±0.2		WEIGHT -	RESTRICTED TO -	
3 PLC ±0.1		CUSTOMER DRAWING	SCALE 1:1	SHEET 2 OF 3
4 PLC ±0.0001				REV A
ANGLES ±				
FINISH				

P	LTR	DESCRIPTION	DATE	DWN	APVD
		SEE SHEET 1			



PACKING SPECIFICATION FOR 2361483-1

THIS DRAWING IS A CONTROLLED DOCUMENT.		DWN ANDY LI 16AUG2019	TE Connectivity	
DIMENSIONS: mm		CHK -		
TOLERANCES UNLESS OTHERWISE SPECIFIED:		APVD SUNY ZHAO 16AUG2019	NAME 8mm, 1mm FLOATING ROUND SOCKET	
0 PLC ± 1 PLC ±0.3 2 PLC ±0.2 3 PLC ±0.1 4 PLC ±0.0001 ANGLES ± FINISH -		PRODUCT SPEC 108-128111	RESTRICTED TO	
MATERIAL		APPLICATION SPEC 114-128112	SIZE A2	CAGE CODE 00779
		WEIGHT -	DRAWING NO C-2361483	SCALE 5:1
		CUSTOMER DRAWING	SHEET 3 OF 3	REV A