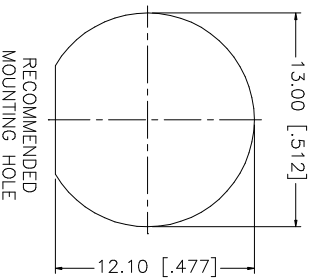
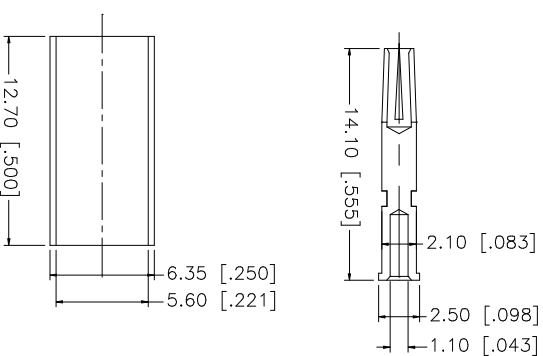
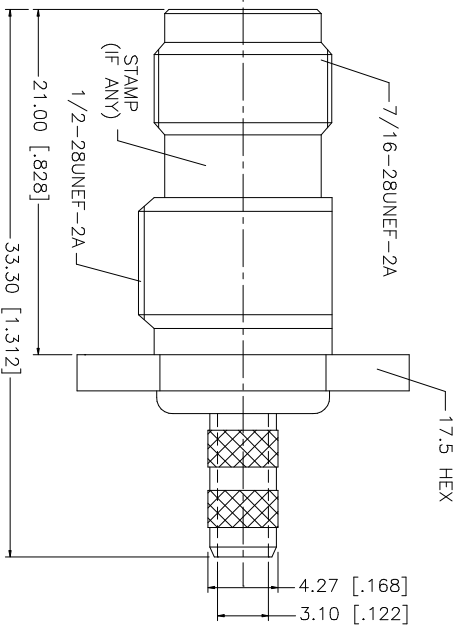
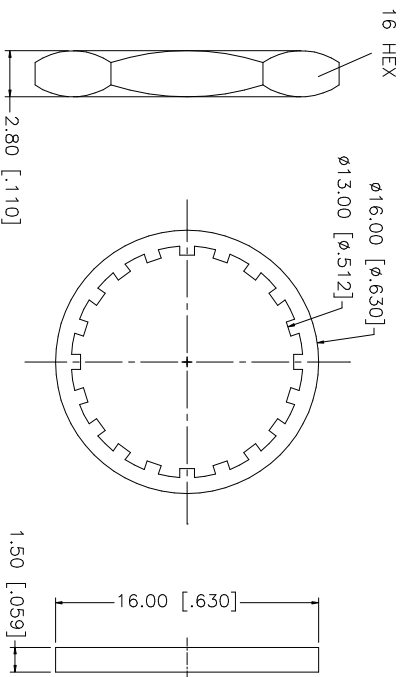
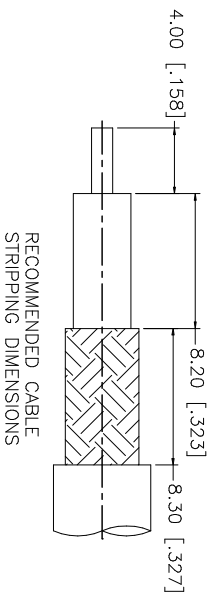


REV.	DATE	DESCRIPTION
NC	01/21/03	INITIAL RELEASE
A	10/10/05	ADD NOTE: $\Delta$
B	10/31/05	CHANGE GASKET MATERIAL TO SILICONE



- NOTE:
1. CRIMPED FERRULE HEX CRIMP SIZE .213"
  2. CRIMPED CONTACT PIN HEX CRIMP SIZE .068"
  3. MAX. PANEL THICKNESS = 6.5mm
- $\Delta$  UL APPROVED.

QTY	FINISH	MATERIAL	DESCRIPTION
1	NICKEL	BRASS	INSULATOR BODY
1	NICKEL	TEFLON	INSULATOR BODY
1	NICKEL	PHOS. BRONZE	CONTACT PIN
1	RUBBER	SILICONE	GASKET
1	NICKEL	BRASS	LOCK WASHER
1	NICKEL	BRASS	HEX NUT
1	NICKEL	COPPER	FERRULE

APPROVALS	DATE
G.R.S.	10/31/05

UNLESS OTHERWISE SPECIFIED DIMENSIONS ARE IN MILLIMETERS. DIMENSIONS IN [ ] ARE IN INCHES AND FOR CUSTOMER REFERENCE ONLY.
UNLESS OTHERWISE SPECIFIED TOLERANCES FOR MILLIMETERS ARE: 0.5 - 8mm ± 0.20mm 8 - 30mm ± 0.40mm 30 - 120mm ± 0.50mm
UNLESS OTHERWISE SPECIFIED TOLERANCES FOR INCHES ARE: .020 - .315 = ± 0.007" .315 - 1.180 = ± 0.015" 1.180 - 4.724 = ± 0.020"

DO NOT SCALE DRAWING
----------------------

CAD FILE	DWG. NO.	REV.	SIZE	SCALE
C:/122/122479.DWG	122479.DWG	B	A	NA

PART NO.	PART DESCRIPTION
122479	TNC BULKHEAD CRIMP JACK (FOR RG-142A/U, 223/U, 400/U CABLE)