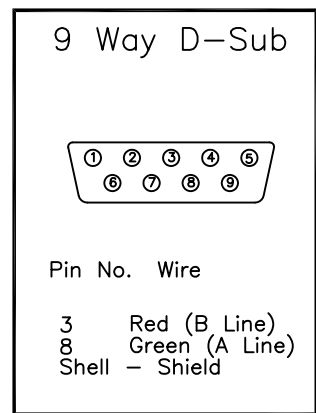


Face View of D conn. x3



MATERIAL NUMBER	ENGINEERING NUMBER	FINISHED LENGTH
1200988035	MM3G72PP4M010	3.28' +3.5" -0 [1.0M +89mm -0]

CONNECTOR SPECIFICATION:

VOLTAGE RATING	30V AC/DC
AMPERAGE RATING	4 AMPS
PROTECTION CLASS	IP67
OPERATING TEMPERATURE	STATIC: -40°C TO +80°C FLEXING: -20°C TO +80°C
UL CERTIFICATIONS	NOT APPLICABLE
CSA CERTIFICATIONS	NOT APPLICABLE

ITEM	COMPONENT	MATERIAL	FINISH
1	CABLE 2x0.2 ² /24 AWG	JACKET: PUR	JACKET: VIOLET

DESCRIPTION EC NO: WEU2010-0405 DRWN: LSTEMMLE 2010/03/03 CHKD: NS APPR: FPACHER 2010/03/08	QUALITY SYMBOLS	GENERAL TOLERANCES (UNLESS SPECIFIED)	DIMENSION STYLE	SCALE	DESIGN UNITS	THIRD ANGLE PROJECTION
	▽ = 0 ∇ = 0		IN/MM	NTS	METRIC	
1	REV	4 PLACES ±---	DRAWN BY	D-SUB HORVERT/D-SUB VERT -PUR-1M PROFI BUS		
		3 PLACES ±---	DATE			
		2 PLACES ±---	FP	MOLEX INCORPORATED		
		1 PLACE ±0.3	DATE			
		ANGULAR ± --- °	FPACHER	SD-120102-003		
			2010/03/08			
		DRAFT WHERE APPLICABLE MUST REMAIN WITHIN DIMENSIONS	MATERIAL NO.	DOCUMENT NO.		SHEET NO.
			SEE TABLE	SD-120102-003		1 OF 1
			SIZE A3	THIS DRAWING CONTAINS INFORMATION THAT IS PROPRIETARY TO MOLEX INCORPORATED AND SHOULD NOT BE USED WITHOUT WRITTEN PERMISSION		