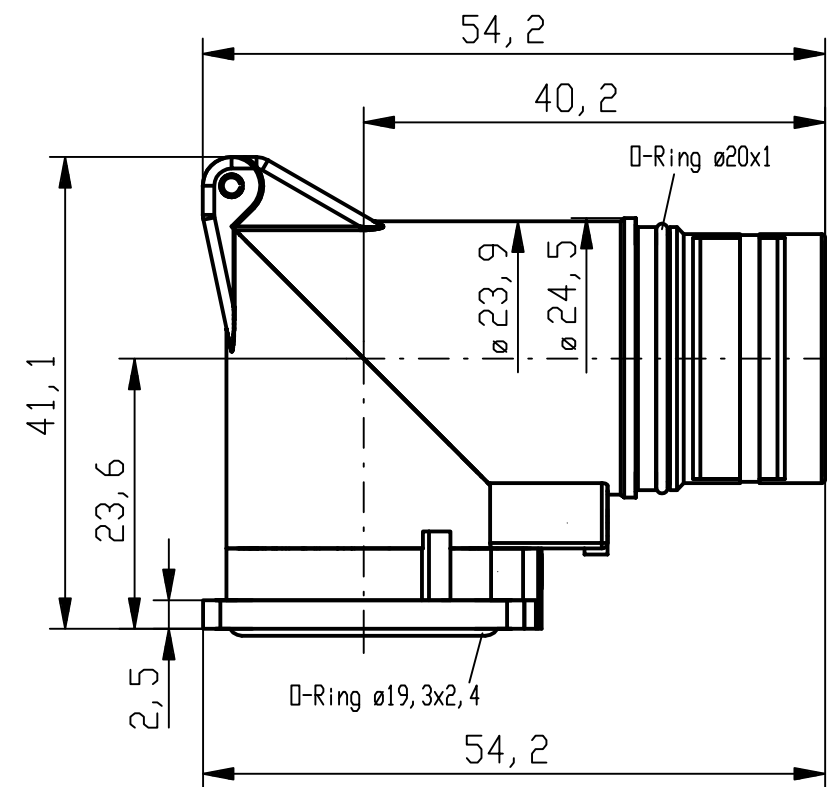
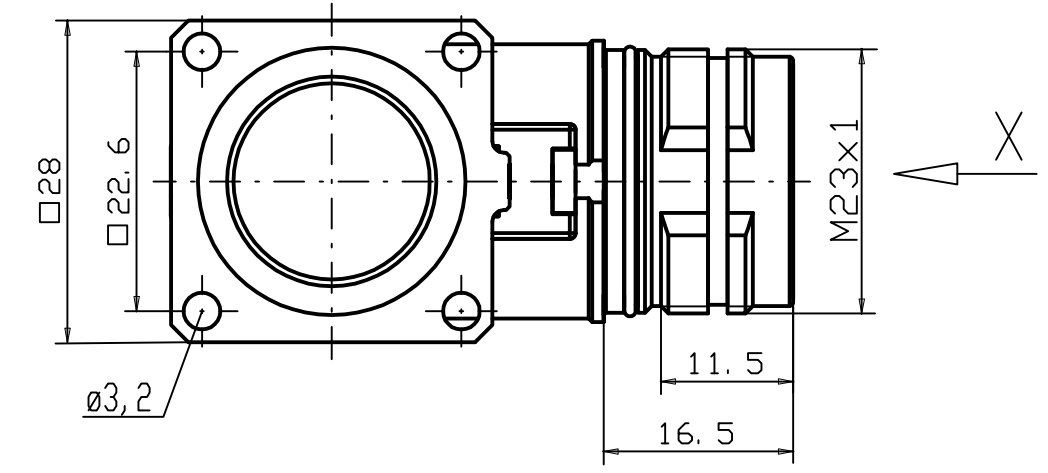
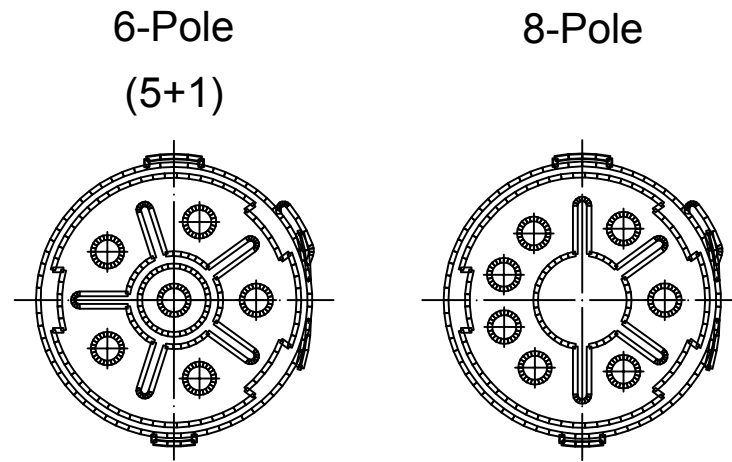


Views from "X" rotated



	Cable Diameter	Crimp Contacts	Without Contacts
6 Pole (5+PE)		KRP6G07-1052	KRP6G07-0052
		1202340013	1202340014
	Crimp range*	0,75-2,5mm ²	
8 Pole (4+3+PE)		KRP8G07-1152	KRP8G07-0052
		1202340015	1202340016
	Crimp range*	0,25-1,0mm ² /0,75-2,5mm ²	

*Crimp range only applies to "Crimp Contacts" version

Notes:
Tolerances (unless specified): DIN ISO 2768 m

DESCRIPTION EC NO.: WEU2009-0135 DRWN: BBRAUCH 2008/11/20 CH'KD: --- APPR: JKOLB 2009/03/02	QUALITY SYMBOLS	GENERAL TOLERANCES (UNLESS SPECIFIED)		DIMENSION STYLE	SCALE	DESIGN UNITS	FIRST ANGLE PROJECTION
	▽ = 0	mm	INCH	MM	---	METRIC	
	▽C = 0	4 PLACES ±----	±----	DRAWN BY	DATE	M23 FRONT PM RECEPT. MALE 90DEG FLANGE-MOUNT 4XDIA3.2MM ROTA.F28X28MM	
		3 PLACES ±----	±----	BB	2008/11/20		
	2 PLACES ±0.05	±----	CHECKED BY	DATE	MOLEX INCORPORATED		
	1 PLACE ±0.1	±----	JKO	2008/12/09			
	ANGULAR ± --- °	DRAFT WHERE APPLICABLE MUST REMAIN WITHIN DIMENSIONS		APPROVED BY	DATE	DOCUMENT NO.	SHEET NO.
				---	---	SD-120234-004	1 OF 1
1	REV	SIZE A3		THIS DRAWING CONTAINS INFORMATION THAT IS PROPRIETARY TO MOLEX INCORPORATED AND SHOULD NOT BE USED WITHOUT WRITTEN PERMISSION			