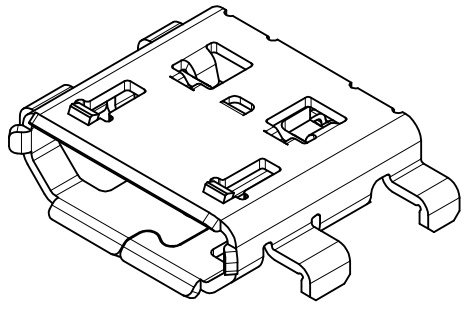
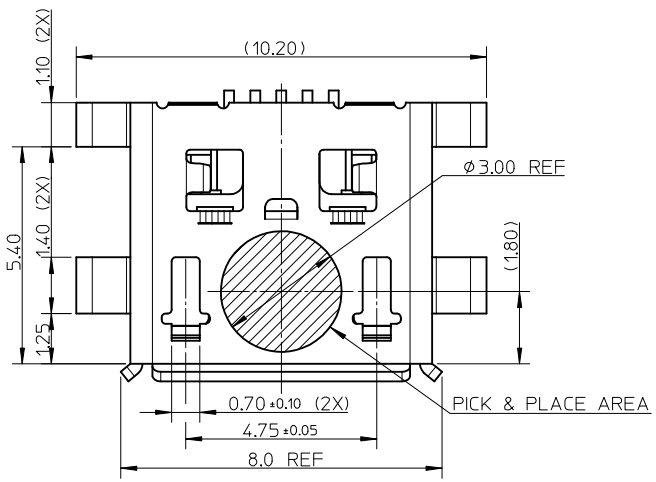


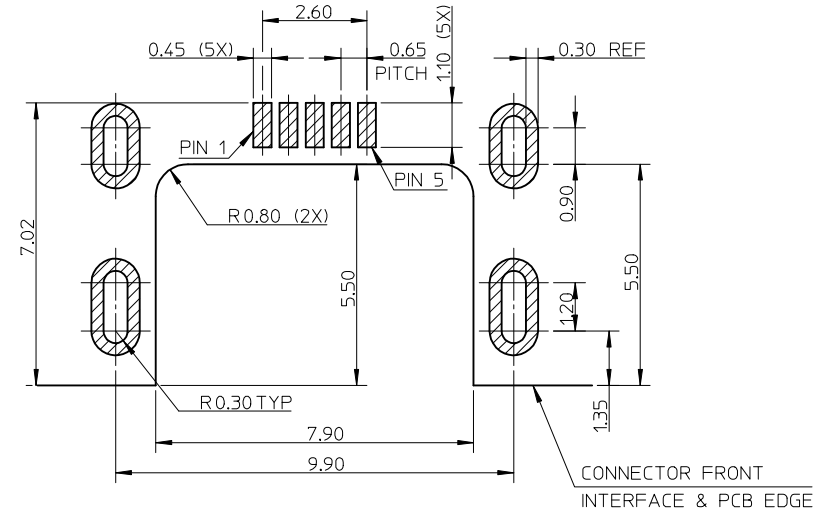
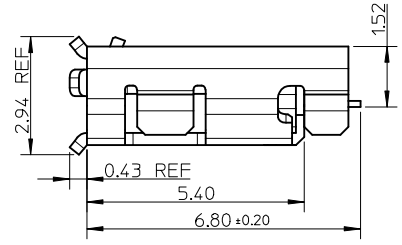
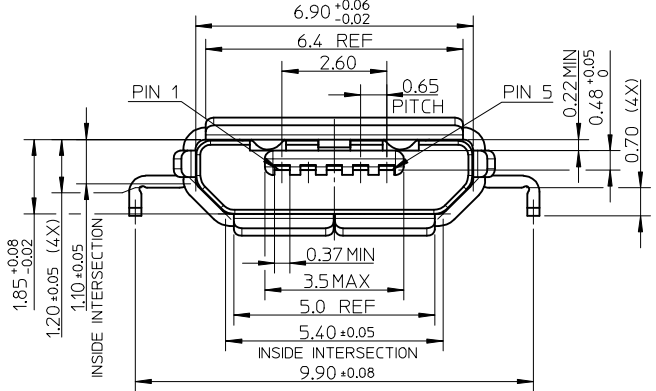
F



NOTES:

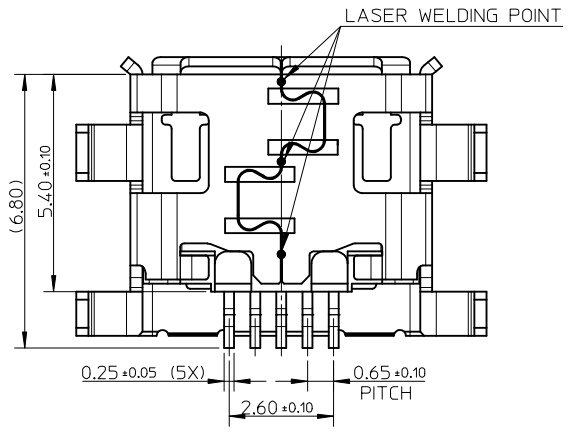
- MATERIAL:
  - HOUSING: LCP, BLACK, UL94V-0;
  - TERMINAL: COPPER ALLOY, THICKNESS: 0.15mm;
  - SHELL: STAINLESS STEEL, THICKNESS: 0.30mm.
- PLATING:
  - TERMINAL:
    - CONTACT AREA: GOLD FLASH OVER 0.75 MICRON MINIMUM Pd/Ni;
    - SOLDER TAIL AREA: GOLD FLASH;
    - UNDER PLATING: NICKEL 2.0 MICRON MINIMUM.
  - SHELL:
    - MATTE TIN 2.0 MICRON MINIMUM;
    - UNDER PLATING: NICKEL 1.27 MICRON MINIMUM.
- TAIL & NAIL COPLANARITY 0.08mm MAXIMUM.
- PRODUCT SPECIFICATION: PS-47642-001.
- PACKAGING SPECIFICATION: PK-47642-001.
- PRODUCT COMPLIANT TO RoHS DIRECTIVE 2002/95/EC AND ELV DIRECTIVE 2000/53/EC.

D



RECOMMENDED P.C.B. PATTERN LAYOUT  
GENERAL TOLERANCE: ±0.05

B



A

<b>ADD PART NUMBER</b> EC NO: SHZ013-0123 DRWN: XQZHANG CHKD: XQZHANG APPR: AYIN	<b>DESCRIPTION</b> 2012/10/22 2012/10/22 2012/10/26	<b>QUALITY SYMBOLS</b> $F_A=0$ $F_B=0$ $F_C=0$	<b>GENERAL TOLERANCES (UNLESS SPECIFIED)</b>		<b>DIMENSION STYLE</b> MM ONLY		SCALE 1:1	DESIGN UNITS METRIC	THIRD ANGLE PROJECTION		
			4 PLACES	± ---	± ---	DRAWN BY	DATE	TITLE SALES DRAWING FOR USB MICRO-B, MID MOUNT  <b>molex</b> MATERIAL NO. 105248-0001 DOCUMENT NO. SD-105248-001 SHEET NO. 1 OF 3			
			3 PLACES	± ---	± ---	CHECKED BY	DATE				
			2 PLACES	± 0.20	± ---	XQZHANG	2012/06/21				
1 PLACE	± 0.25	± ---	APPROVED BY	DATE							
0 PLACE	± ---	± ---	AYIN	2012/10/11	ANGULAR ± 3° DRAFT WHERE APPLICABLE MUST REMAIN WITHIN DIMENSIONS						
SIZE A3		THIS DRAWING CONTAINS INFORMATION THAT IS PROPRIETARY TO MOLEX INCORPORATED AND SHOULD NOT BE USED WITHOUT WRITTEN PERMISSION									

F

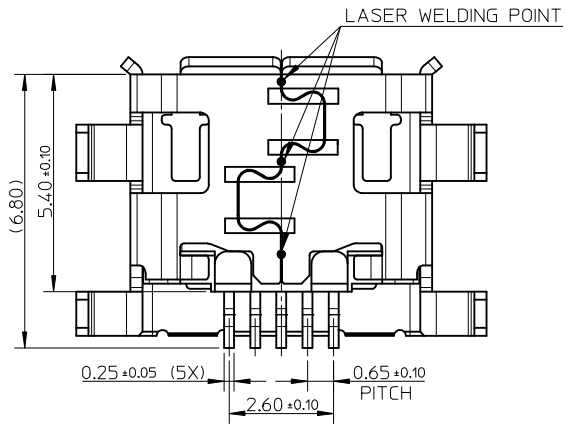
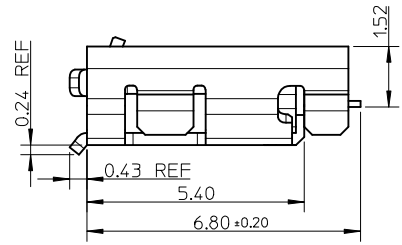
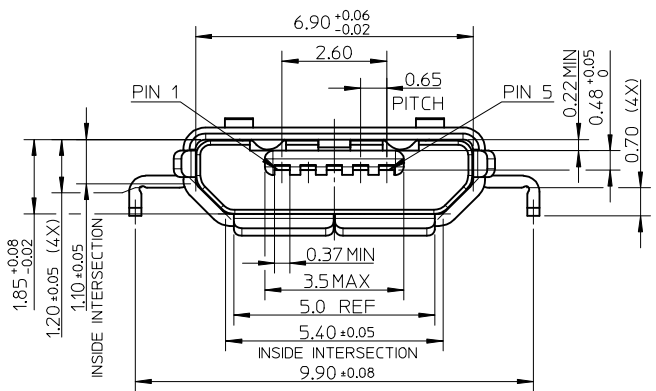
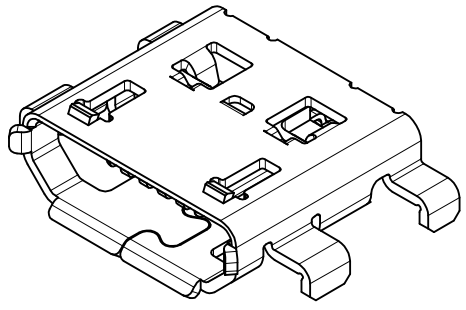
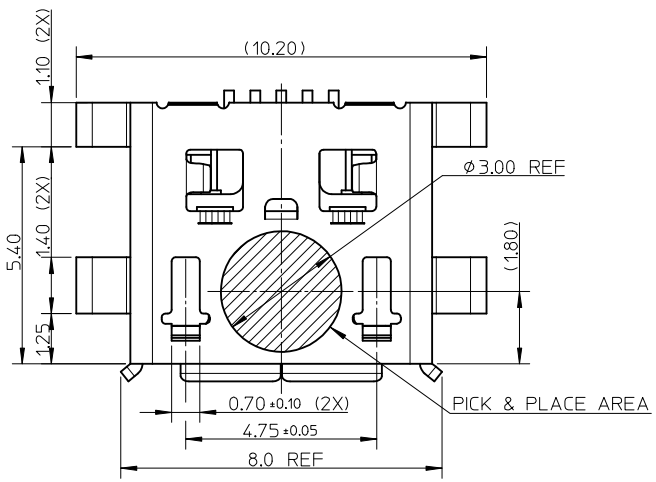
E

D

C

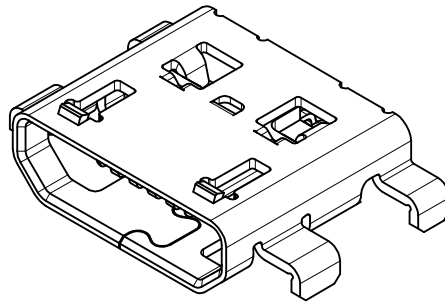
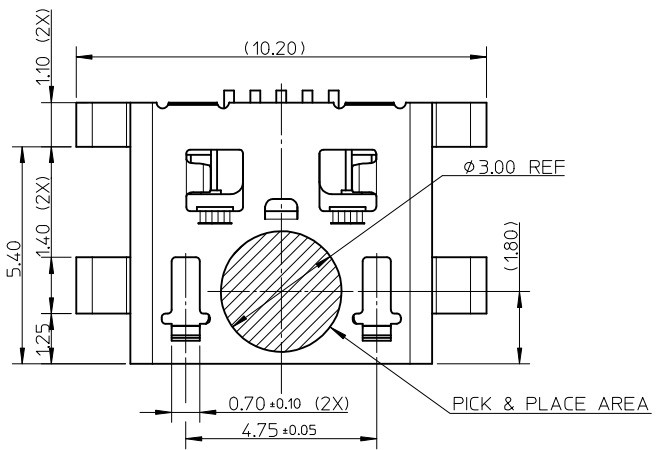
B

A



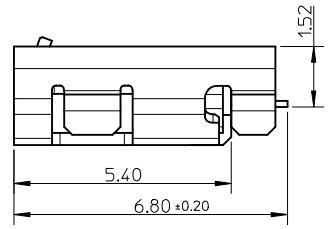
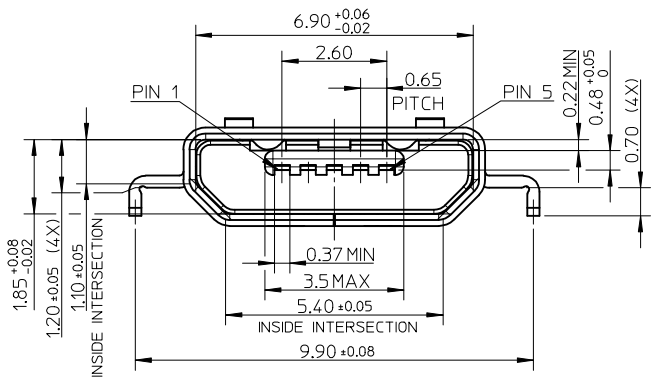
SEE SHEET 1 EC NO: SHZ013-0123 DRWN: XQZHANG CHKD: XQZHANG APPR: AYIN	2012/10/22 2012/10/22 2012/10/26	QUALITY SYMBOLS $\nabla_F = 0$ $\nabla_E = 0$ $\nabla_B = 0$	GENERAL TOLERANCES (UNLESS SPECIFIED)		DIMENSION STYLE MM ONLY		SCALE 1:1	DESIGN UNITS METRIC	THIRD ANGLE PROJECTION		
				mm	INCH	DRAWN BY XQZHANG	DATE 2012/06/21	TITLE SALES DRAWING FOR USB MICRO-B, MID MOUNT FLANGELESS TYPE			
			4 PLACES	± ---	± ---	CHECKED BY XQZHANG	DATE 2012/06/21				
			3 PLACES	± ---	± ---	APPROVED BY AYIN	DATE 2012/10/11	<b>molex</b> MATERIAL NO. 105248-1101 DOCUMENT NO. SD-105248-001 SHEET NO. 2 OF 3			
2 PLACES	± 0.20	± ---	DRAFT WHERE APPLICABLE MUST REMAIN WITHIN DIMENSIONS		SIZE A3		THIS DRAWING CONTAINS INFORMATION THAT IS PROPRIETARY TO MOLEX INCORPORATED AND SHOULD NOT BE USED WITHOUT WRITTEN PERMISSION				

F



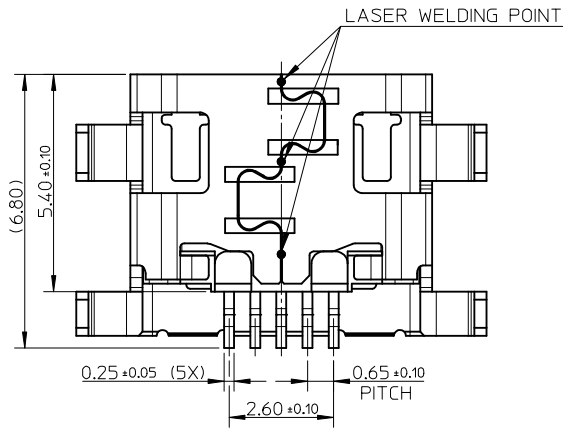
E

D



C

B



A

SEE SHEET 1 EC NO: SHZ013-0123 DRWN: XQZHANG CHKD: XQZHANG APPR: AYIN	2012/10/22 2012/10/22 2012/10/26	QUALITY SYMBOLS $\nabla_F = 0$ $\nabla_E = 0$ $\nabla_B = 0$	GENERAL TOLERANCES (UNLESS SPECIFIED)		DIMENSION STYLE	SCALE	DESIGN UNITS	THIRD ANGLE PROJECTION			
					MM ONLY	1:1	METRIC				
					mm	INCH	DRAWN BY	DATE	TITLE		
					4 PLACES ± --- ± ---		XQZHANG	2012/06/21	SALES DRAWING FOR USB MICRO-B, MID MOUNT FLANGELESS TYPE		
		3 PLACES ± --- ± ---		CHECKED BY	DATE	<div style="text-align: center; font-size: 24px; font-weight: bold;">molex</div>					
		2 PLACES ± 0.20 ± ---		XQZHANG	2012/06/21						
		1 PLACE ± 0.25 ± ---		APPROVED BY	DATE	DOCUMENT NO. SD-105248-001 SHEET NO. 3 OF 3					
		0 PLACE ± --- ± ---		AYIN	2012/10/11						
		ANGULAR ± 3°		MATERIAL NO.							
		DRAFT WHERE APPLICABLE MUST REMAIN WITHIN DIMENSIONS		105248-1001							
				SIZE	THIS DRAWING CONTAINS INFORMATION THAT IS PROPRIETARY TO MOLEX INCORPORATED AND SHOULD NOT BE USED WITHOUT WRITTEN PERMISSION						
				A3							

F

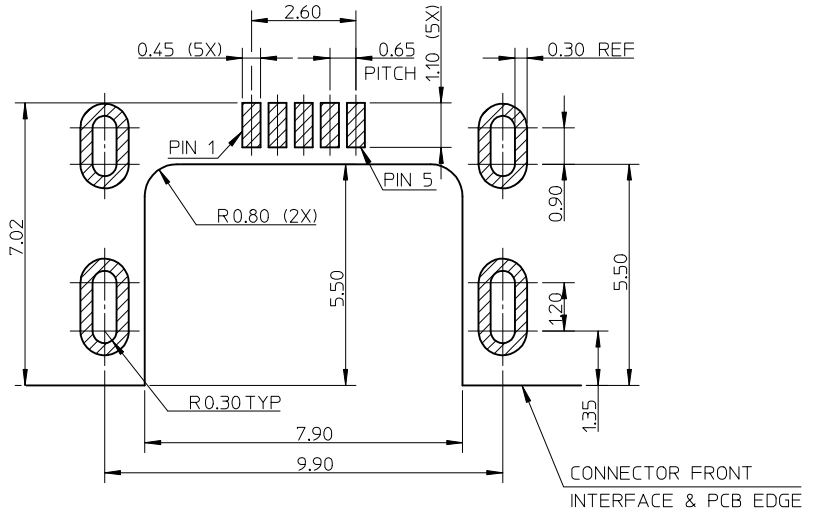
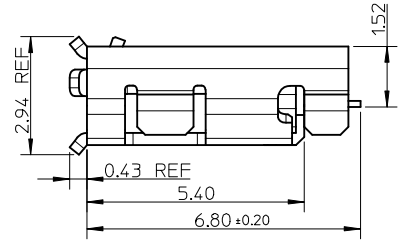
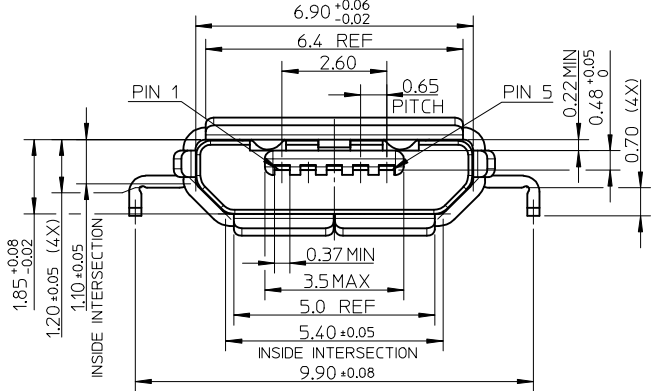
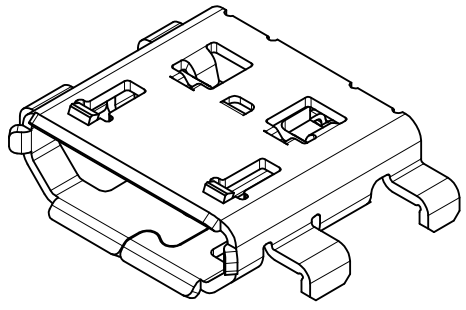
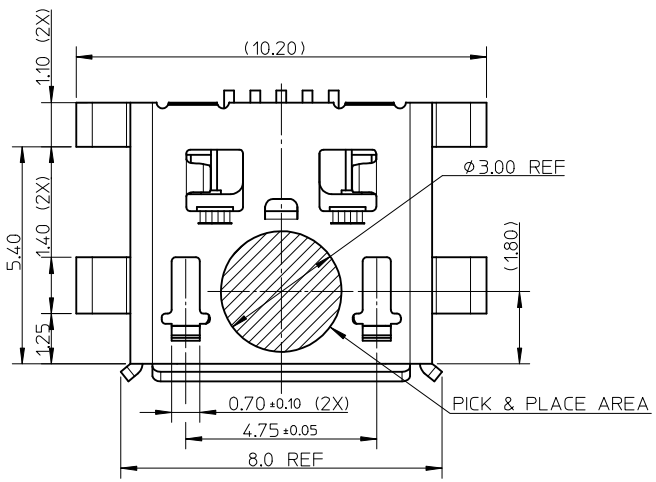
E

D

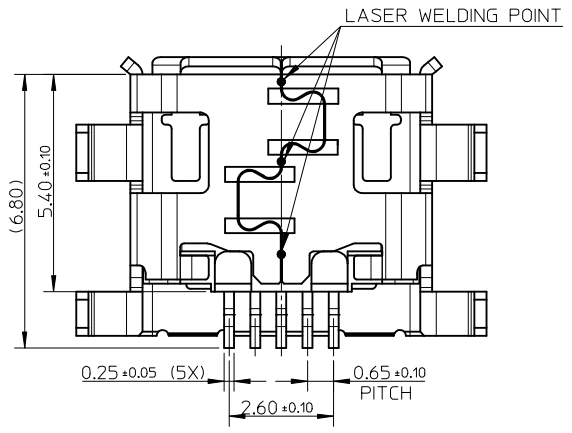
C

B

A



RECOMMENDED P.C.B. PATTERN LAYOUT  
GENERAL TOLERANCE: ±0.05



NOTES:

- MATERIAL:  
HOUSING: LCP, BLACK, UL94V-0;  
TERMINAL: COPPER ALLOY, THICKNESS: 0.15mm;  
SHELL: STAINLESS STEEL, THICKNESS: 0.30mm.
- PLATING:  
TERMINAL:  
CONTACT AREA: GOLD FLASH OVER 0.75 MICRON MINIMUM Pd/Ni;  
SOLDER TAIL AREA: GOLD FLASH;  
UNDER PLATING: NICKEL 2.0 MICRON MINIMUM.  
SHELL:  
MATTE TIN 2.0 MICRON MINIMUM;  
UNDER PLATING: NICKEL 1.27 MICRON MINIMUM.
- TAIL & NAIL COPLANARITY 0.08mm MAXIMUM.
- PRODUCT SPECIFICATION: PS-47642-001.
- PACKAGING SPECIFICATION: PK-47642-001.
- PRODUCT COMPLIANT TO RoHS DIRECTIVE 2002/95/EC AND ELV DIRECTIVE 2000/53/EC.

<b>ADD PART NUMBER</b> EC NO: SHZ013-0123 DRWN: XQZHANG CHKD: XQZHANG APPR: AYIN	<b>DESCRIPTION</b> 2012/10/22 2012/10/22 2012/10/26	<b>QUALITY SYMBOLS</b> $F_A=0$ $F_B=0$ $F_C=0$	<b>GENERAL TOLERANCES (UNLESS SPECIFIED)</b>		<b>DIMENSION STYLE</b> MM ONLY		SCALE 1:1	DESIGN UNITS METRIC	THIRD ANGLE PROJECTION		
			4 PLACES ± --- ± ---	mm	INCH	DRAWN BY XQZHANG	DATE 2012/06/21	TITLE SALES DRAWING FOR USB MICRO-B, MID MOUNT  <b>molex</b> MATERIAL NO. 105248-0001 DOCUMENT NO. SD-105248-001 SHEET NO. 1 OF 3			
			3 PLACES ± --- ± ---			CHECKED BY XQZHANG	DATE 2012/06/21				
			2 PLACES ± 0.20 ± ---			APPROVED BY AYIN	DATE 2012/10/11				
1 PLACE ± 0.25 ± ---											
				0 PLACE ± --- ± ---							
				ANGULAR ± 3 °							
				DRAFT WHERE APPLICABLE MUST REMAIN WITHIN DIMENSIONS							
				SIZE A3	THIS DRAWING CONTAINS INFORMATION THAT IS PROPRIETARY TO MOLEX INCORPORATED AND SHOULD NOT BE USED WITHOUT WRITTEN PERMISSION						

F

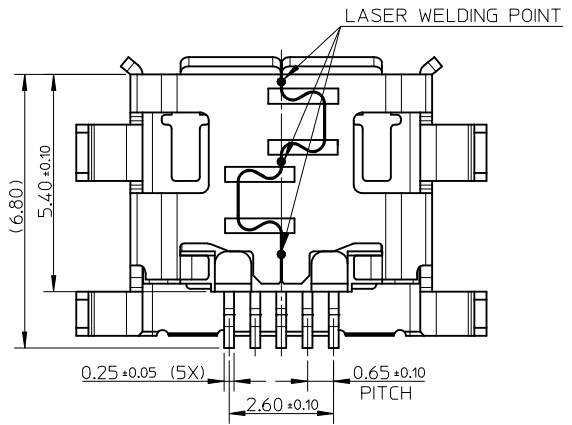
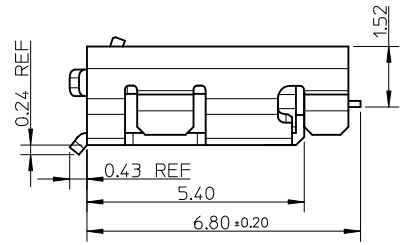
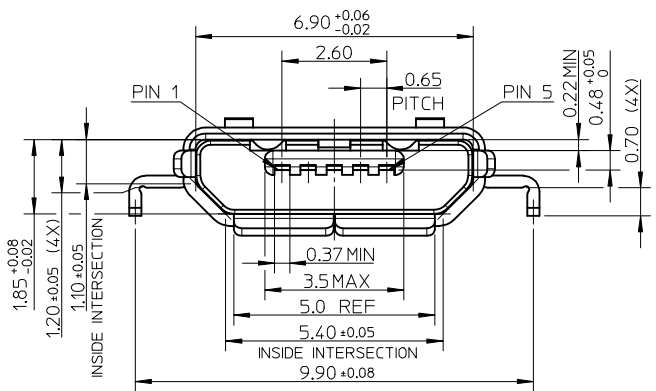
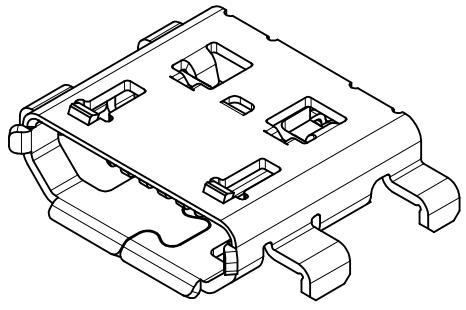
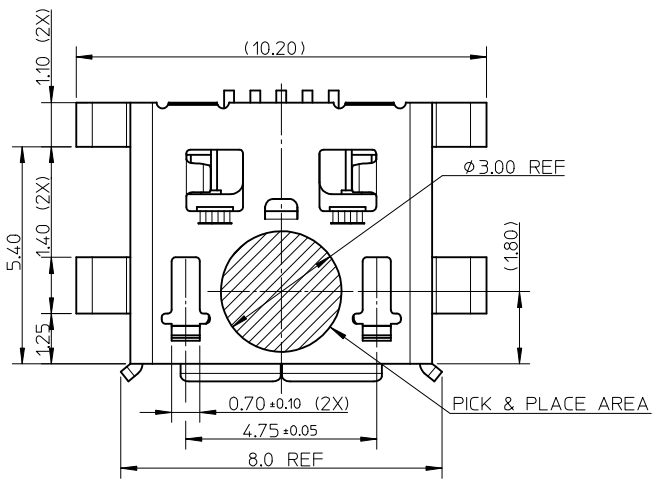
E

D

C

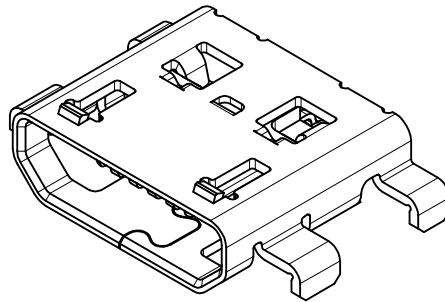
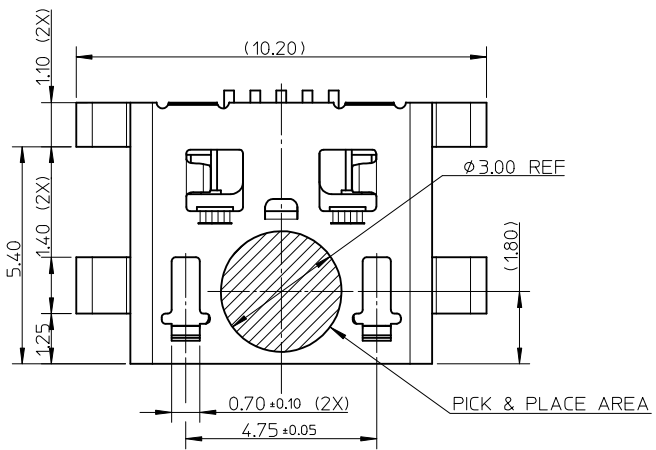
B

A



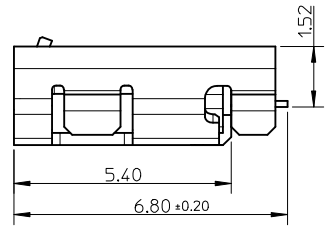
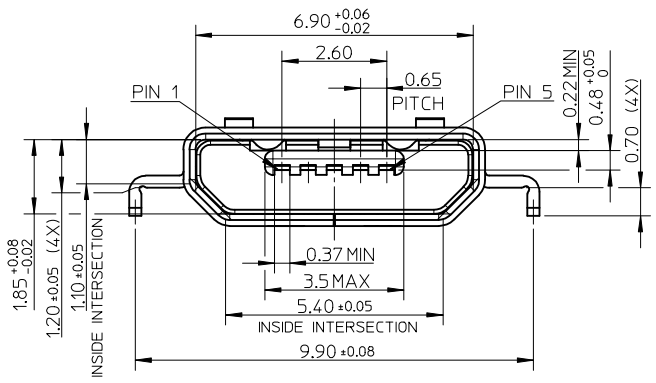
SEE SHEET 1 EC NO: SHZ013-0123 DRWN: XQZHANG CHKD: XQZHANG APPR: AYIN	2012/10/22 2012/10/22 2012/10/26	QUALITY SYMBOLS $\nabla_F = 0$ $\nabla_E = 0$ $\nabla_B = 0$	GENERAL TOLERANCES (UNLESS SPECIFIED)		DIMENSION STYLE MM ONLY		SCALE 1:1	DESIGN UNITS METRIC	THIRD ANGLE PROJECTION		
				mm	INCH	DRAWN BY XQZHANG	DATE 2012/06/21	TITLE SALES DRAWING FOR USB MICRO-B, MID MOUNT FLANGELESS TYPE			
			4 PLACES	± ---	± ---	CHECKED BY XQZHANG	DATE 2012/06/21				
				± 0.20	± ---	APPROVED BY AYIN	DATE 2012/10/11	MATERIAL NO. 105248-1101		DOCUMENT NO. SD-105248-001	SHEET NO. 2 OF 3
DRAFT WHERE APPLICABLE MUST REMAIN WITHIN DIMENSIONS			ANGULAR ± 3°		THIS DRAWING CONTAINS INFORMATION THAT IS PROPRIETARY TO MOLEX INCORPORATED AND SHOULD NOT BE USED WITHOUT WRITTEN PERMISSION						

F



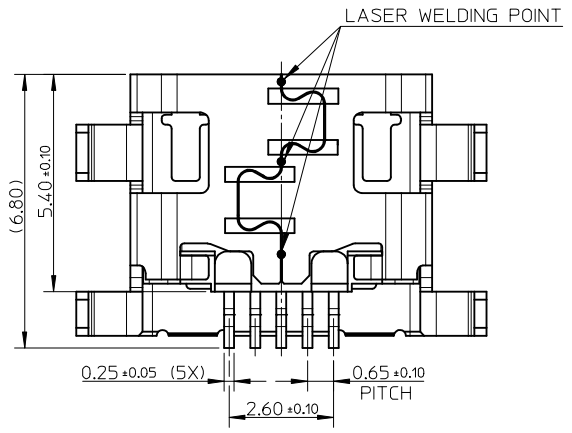
E

D



C

B



A

SEE SHEET 1 EC NO: SHZ013-0123 DRWN: XQZHANG CHKD: XQZHANG APPR: AYIN	2012/10/22 2012/10/22 2012/10/26	QUALITY SYMBOLS $\nabla_F = 0$ $\nabla_E = 0$ $\nabla_B = 0$	GENERAL TOLERANCES (UNLESS SPECIFIED)		DIMENSION STYLE	SCALE	DESIGN UNITS	THIRD ANGLE PROJECTION				
					MM ONLY	1:1	METRIC					
					mm	INCH	DRAWN BY	DATE	TITLE			
					4 PLACES	± ---	± ---	XQZHANG	2012/06/21	SALES DRAWING FOR USB MICRO-B, MID MOUNT FLANGELESS TYPE		
		3 PLACES	± ---	± ---	CHECKED BY	DATE	<b>molex</b>					
		2 PLACES	± 0.20	± ---	XQZHANG	2012/06/21						
		1 PLACE	± 0.25	± ---	APPROVED BY	DATE	MATERIAL NO.		DOCUMENT NO.	SHEET NO.		
		0 PLACE	± ---	± ---	AYIN	2012/10/11	105248-1001		SD-105248-001	3 OF 3		
		ANGULAR ± 3°			DRAFT WHERE APPLICABLE MUST REMAIN WITHIN DIMENSIONS		THIS DRAWING CONTAINS INFORMATION THAT IS PROPRIETARY TO MOLEX INCORPORATED AND SHOULD NOT BE USED WITHOUT WRITTEN PERMISSION					