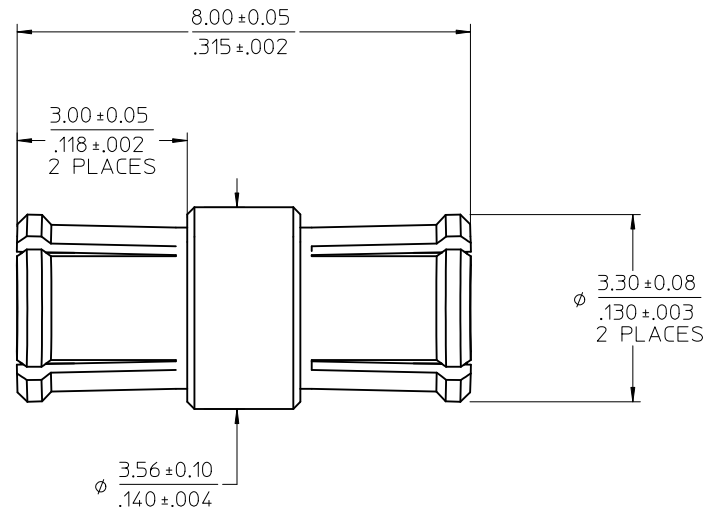
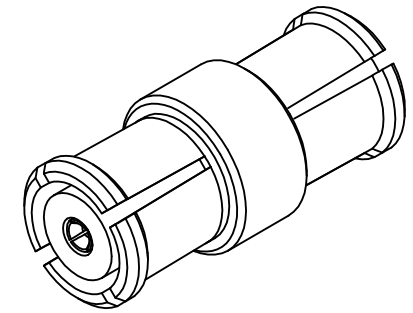


MATERIAL AND FINISHES

BODY: BERYLLIUM COPPER  
PLATED GOLD (30 μ INCH MINIMUM)

CONTACT: BERYLLIUM COPPER  
PLATED GOLD (30 μ INCH MINIMUM)

INSULATOR: TEFLON



PART # 73415-4290

MIL-STD-348A, FIG. 326.1	INTERFACE
SPECIFICATION	DESCRIPTION

73415-4295	4
73415-4294	3
73415-4293	4
73415-4292	3
73415-4291	2
73415-4290	1
PART NO.	SHEET NO.

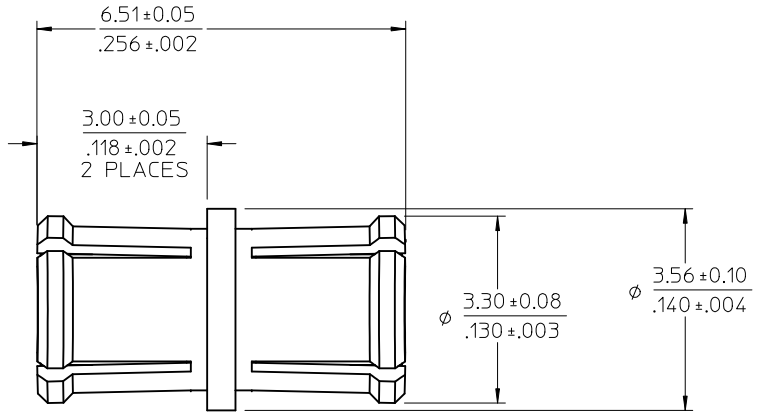
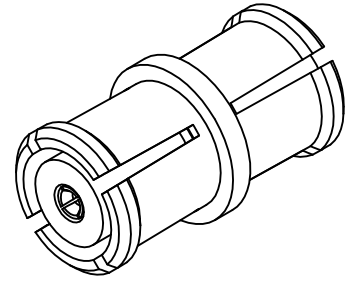
CHG: ADDED -4294 (SHEET 3/) -4295 (SHEET 4) AND TABLE ON SHEET 1 EC NO: URF2010-0351 DRW:SSHAH 2009/12/14 CHKD:ROBERTSON 2009/12/14 APPR:WIENER 2009/12/14 C1	QUALITY SYMBOLS ▽=0 ▽=0	GENERAL TOLERANCES (UNLESS SPECIFIED) mm INCH 4 PLACES ± --- ± --- 3 PLACES ± --- ± --- 2 PLACES ± --- ± --- 1 PLACE ± --- ± --- ANGULAR ± 2 °	DIMENSION STYLE MM/IN DRAWN BY DATE JDW 2003/09/09 CHECKED BY DATE TEF 2003/09/09 APPROVED BY DATE GMH 2003/09/09	SCALE DESIGN UNITS METRIC THIRD ANGLE PROJECTION	TITLE SMP JACK, ADAPTER 50 OHMS, EWR1994 & 2098 SMP-J/AD
		DRAFT WHERE APPLICABLE MUST REMAIN WITHIN DIMENSIONS	MATERIAL NO. 734154290	DOCUMENT NO. SD-73415-429	SHEET NO. 1 OF 4
		THIS DRAWING CONTAINS INFORMATION THAT IS PROPRIETARY TO MOLEX INCORPORATED AND SHOULD NOT BE USED WITHOUT WRITTEN PERMISSION			
		MOLEX INCORPORATED			

MATERIAL AND FINISHES

BODY: BERYLLIUM COPPER  
 PLATED GOLD (30 μ INCH MINIMUM)

CONTACT: BERYLLIUM COPPER  
 PLATED GOLD (30 μ INCH MINIMUM)

INSULATOR: TEFLON



PART # 73415-4291

MIL-STD-348A, FIG. 326.1	INTERFACE
SPECIFICATION	DESCRIPTION

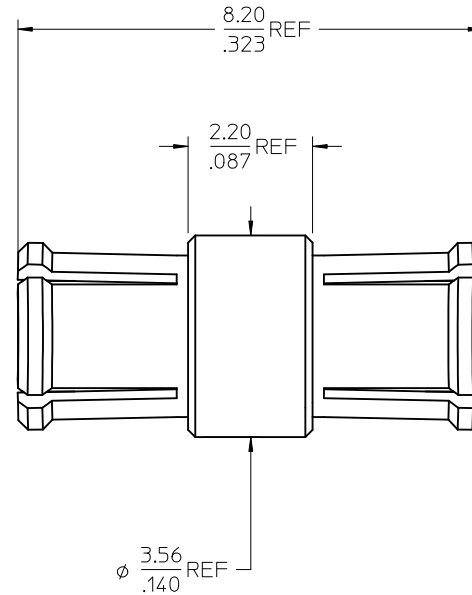
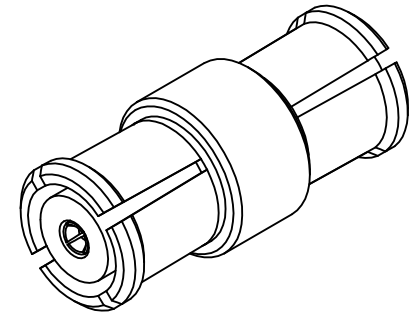
CHG: SEE SHEET 1. EC NO: URF2010-0351 DRWN:SSHAH 2009/12/14 CHKD:ROBERTSON 2009/12/14 APPR:WIENER 2009/12/14	DESCRIPTION	QUALITY SYMBOLS ▽=0 ▽=0	GENERAL TOLERANCES (UNLESS SPECIFIED)		DIMENSION STYLE MM/IN		SCALE	DESIGN UNITS METRIC	THIRD ANGLE PROJECTION		
			mm	INCH	DRAWN BY JDW	DATE 2003/09/09	TITLE SMP JACK, ADAPTER 50 OHMS, EWR1994 & 2098 SMP-J/AD				
C1	REV	DESCRIPTION	4 PLACES ± --- ± ---	3 PLACES ± --- ± ---	CHECKED BY TEF	DATE 2003/09/09	APPROVED BY GMH	DATE 2003/09/09	MATERIAL NO. 734154291	DOCUMENT NO. SD-73415-429	SHEET NO. 2 OF 4
			2 PLACES ± --- ± ---	1 PLACE ± --- ± ---	ANGULAR ± 2 °	THIS DRAWING CONTAINS INFORMATION THAT IS PROPRIETARY TO MOLEX INCORPORATED AND SHOULD NOT BE USED WITHOUT WRITTEN PERMISSION					

MATERIAL AND FINISHES:

BODY: BERYLLIUM COPPER  
PLATED GOLD (SEE TABLE)

CONTACT: BERYLLIUM COPPER  
PLATED GOLD (SEE TABLE)

INSULATOR: TEFLON



73415-4294	30 μ INCH MIN
73415-4292	50 μ INCH MIN
PART NO.	PLATING
	THICKNESS

MIL-STD-348A, FIG. 326.1	INTERFACE
SPECIFICATION	DESCRIPTION

CHG: SEE SHEET 1. EC NO: URF2010-0351 DRWN:SSHAH 2009/12/14 CHKD:ROBERTSON 2009/12/14 APPR:JWIENER 2009/12/14	QUALITY SYMBOLS
	▼=0 ▽=0
REV	DESCRIPTION
C1	

GENERAL TOLERANCES (UNLESS SPECIFIED)	
	mm INCH
4 PLACES ±	--- ±
3 PLACES ±	--- ±
2 PLACES ±	--- ±
1 PLACE ±	--- ±
ANGULAR ± 2 °	
DRAFT WHERE APPLICABLE MUST REMAIN WITHIN DIMENSIONS	

DIMENSION STYLE	
MM/IN	
DRAWN BY	DATE
JDW	2003/09/09
CHECKED BY	DATE
TEF	2003/09/09
APPROVED BY	DATE
GMH	2003/09/09
MATERIAL NO.	SEE TABLE
SIZE	C

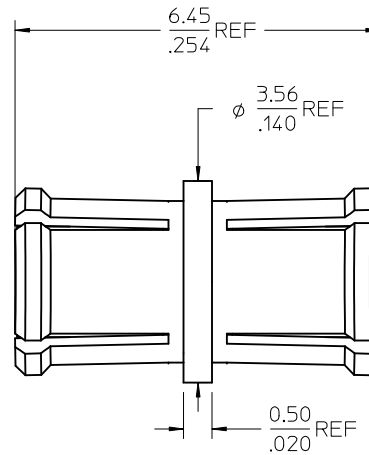
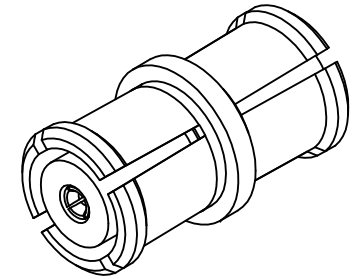
SCALE	DESIGN UNITS	THIRD ANGLE PROJECTION
	METRIC	
TITLE		
SMP JACK, ADAPTER		
50 OHMS, EWR1994 & 2098		
SMP-J/AD		
MOLEX MOLEX INCORPORATED		
DOCUMENT NO.	SD-73415-429	SHEET NO.
		3 OF 4
THIS DRAWING CONTAINS INFORMATION THAT IS PROPRIETARY TO MOLEX INCORPORATED AND SHOULD NOT BE USED WITHOUT WRITTEN PERMISSION		

MATERIAL AND FINISHES:

BODY: BERYLLIUM COPPER  
PLATED GOLD (SEE TABLE)

CONTACT: BERYLLIUM COPPER  
PLATED GOLD (SEE TABLE)

INSULATOR: TEFLON



MIL-STD-348A, FIG. 326.1	INTERFACE
SPECIFICATION	DESCRIPTION

73415-4295	30 μ INCH MIN
73415-4293	50 μ INCH MIN
PART NO.	PLATING
	THICKNESS

CHG: SEE SHEET 1. EC NO: URF2010-0351 DRW:SSHAH 2009/12/14 CHKD:ROBERTSON 2009/12/14 APPR:JWIENER 2009/12/14	DESCRIPTION REV: C1	QUALITY SYMBOLS	GENERAL TOLERANCES (UNLESS SPECIFIED)	DIMENSION STYLE	SCALE	DESIGN UNITS	THIRD ANGLE PROJECTION
		▼=0 ▽=0	mm    INCH 4 PLACES ± --- ± --- 3 PLACES ± --- ± --- 2 PLACES ± --- ± --- 1 PLACE ± --- ± --- ANGULAR ± 2 °	MM/IN	DRAWN BY    DATE JDW    2003/09/09 CHECKED BY    DATE TEF    2003/09/09 APPROVED BY    DATE GMH    2003/09/09	METRIC	TITLE SMP JACK, ADAPTER 50 OHMS, EWR1994 & 2098 SMP-J/AD
		DRAFT WHERE APPLICABLE MUST REMAIN WITHIN DIMENSIONS		SEE TABLE	MATERIAL NO. DOCUMENT NO.	MOLEX INCORPORATED SD-73415-429	SHEET NO. 4 OF 4
		THIS DRAWING CONTAINS INFORMATION THAT IS PROPRIETARY TO MOLEX INCORPORATED AND SHOULD NOT BE USED WITHOUT WRITTEN PERMISSION					