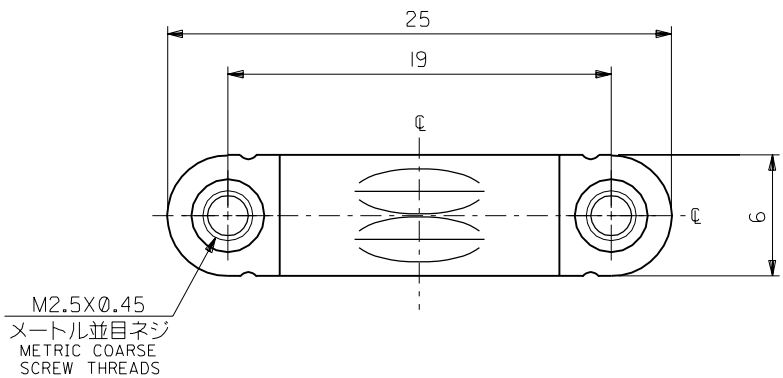
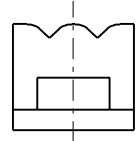
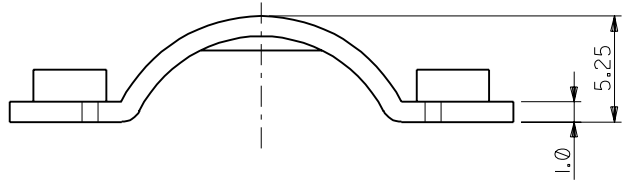


DWG. NO.  
SD-56382-004



注記  
NOTES

1. 材質  
MATERIAL  
ステンレス鋼  
STAINLESS STEEL
2. 適合シェルカバー : 56381-1200  
APPLICABLE SHELL COVER : 56381-1200
3. 適合ネジ : 十字穴付きなべ小ネジ  
APPLICABLE SCREW : CROSS RECESSED PAN HEAD MACHINE SCREW  
ネジサイズ : M2.5X8  
SCREW SIZE : M2.5X8



56382-1200	56382-****
------------	------------

MATERIAL.NO	MODEL.NO
-------------	----------

DIMENSIONS:		SHT	REV
<input type="checkbox"/> mm	<input type="checkbox"/> INCH	<input checked="" type="checkbox"/> mm	REVISE ON CAD ONLY
<input type="checkbox"/> INCH	<input type="checkbox"/> mm	<input type="checkbox"/> ONLY	

TITLE:  
COMPACT ROBOT CONN. (CRC)  
CABLE CLAMP

**MOLEX INCORPORATED**

MATERIAL NO.	DRAWING NO.	SHEET NO.
SEE CHART	SD-56382-004	1 OF 1

THIS DRAWING CONTAINS INFORMATION THAT IS PROPRIETARY TO MOLEX INCORPORATED AND SHOULD NOT BE USED WITHOUT WRITTEN PERMISSION.

DO NOT SCALE DRAWING

EC NO. DRWN: CHK: APPR:	EC NO. DRWN: CHK: APPR:	EC NO. DRWN: CHK: APPR:	REVISED 01/10/19 EC NO. J2002-0944 DRWN: K.SAKAMOTO CHK: J.MIYAZAWA APPR: Y.O.ITO	RELEASED 01/02/16 EC NO. JD2001-1040 DRWN: S.AKIYAMA CHK: J.MIYAZAWA APPR: H.IKESUGI	MATERIAL 材料 注記参照 SEE NOTES
			A	0	FINISH 仕上げ —
					WIRE RANGE 適用電線範囲 —
					INS. RANGE 被覆外径 —

GENERAL TOLERANCES: (UNLESS SPECIFIED) 一般公差		SCALE 4-1	DESIGN UNITS <input checked="" type="checkbox"/> mm <input type="checkbox"/> INCH	THIRD ANGLE PROJECTION <input checked="" type="checkbox"/> <input type="checkbox"/>
10 UNDER 未満	±0.2	DRAWN BY & DATE <i>S. Akizawa</i> 01/01/25		
10 OVER 30 UNDER 以上 未満	±0.25	CHECKED BY & DATE <i>J. Miyazawa / Y. Ito</i>		
30 OVER 以上	±0.3	APPROVED BY & DATE <i>H. Ikesugi</i>		
ANGLE 角度	±3°	CAD FILE NAME 56382004.S01		

A  
56382004.S01