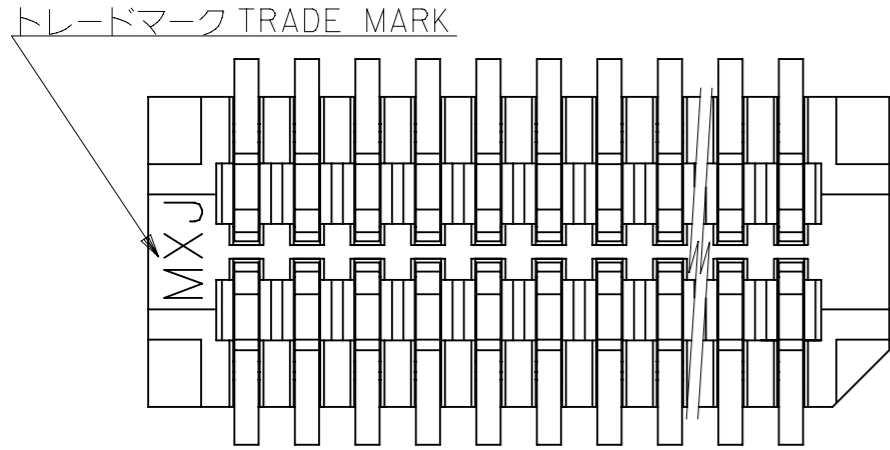


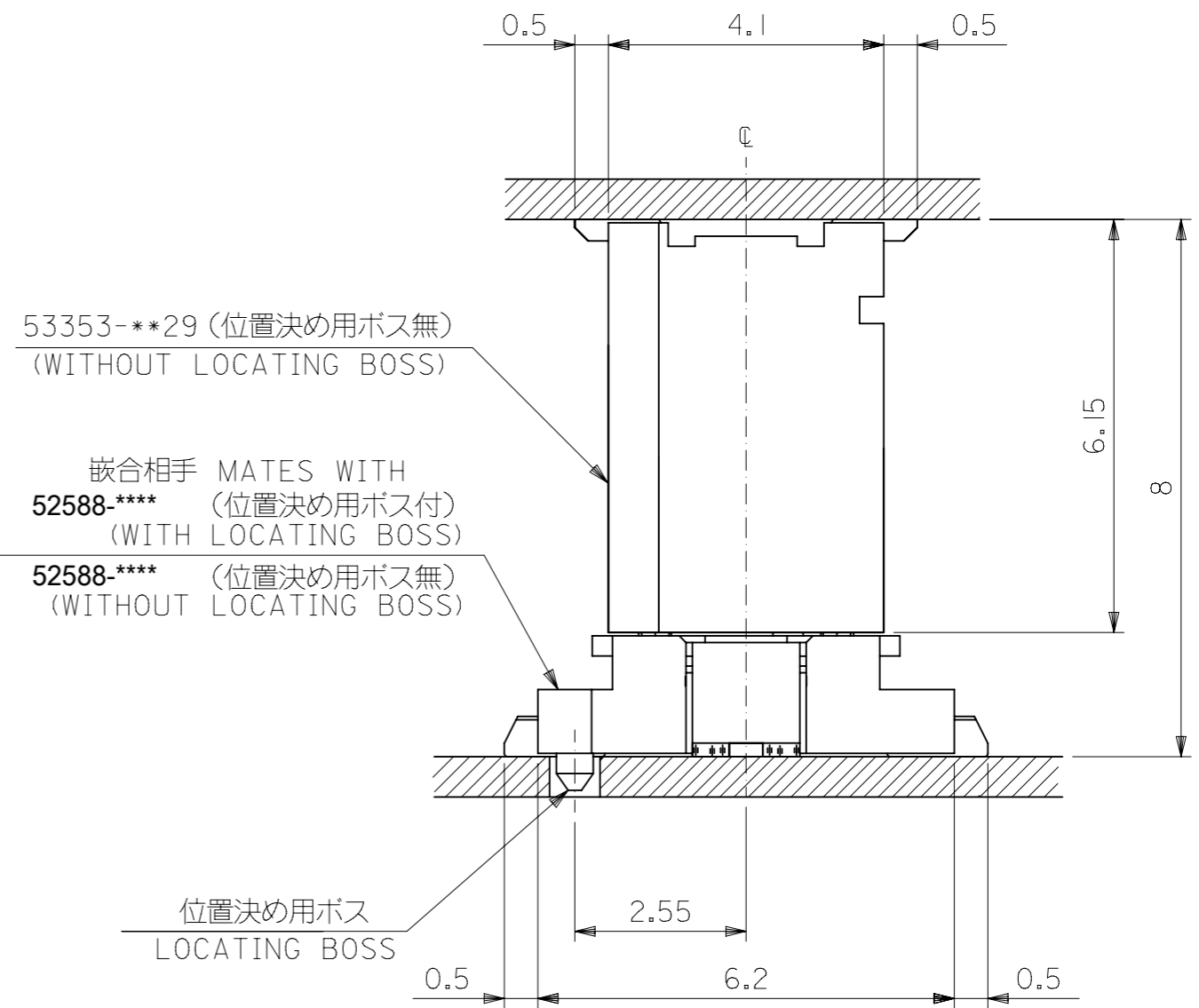
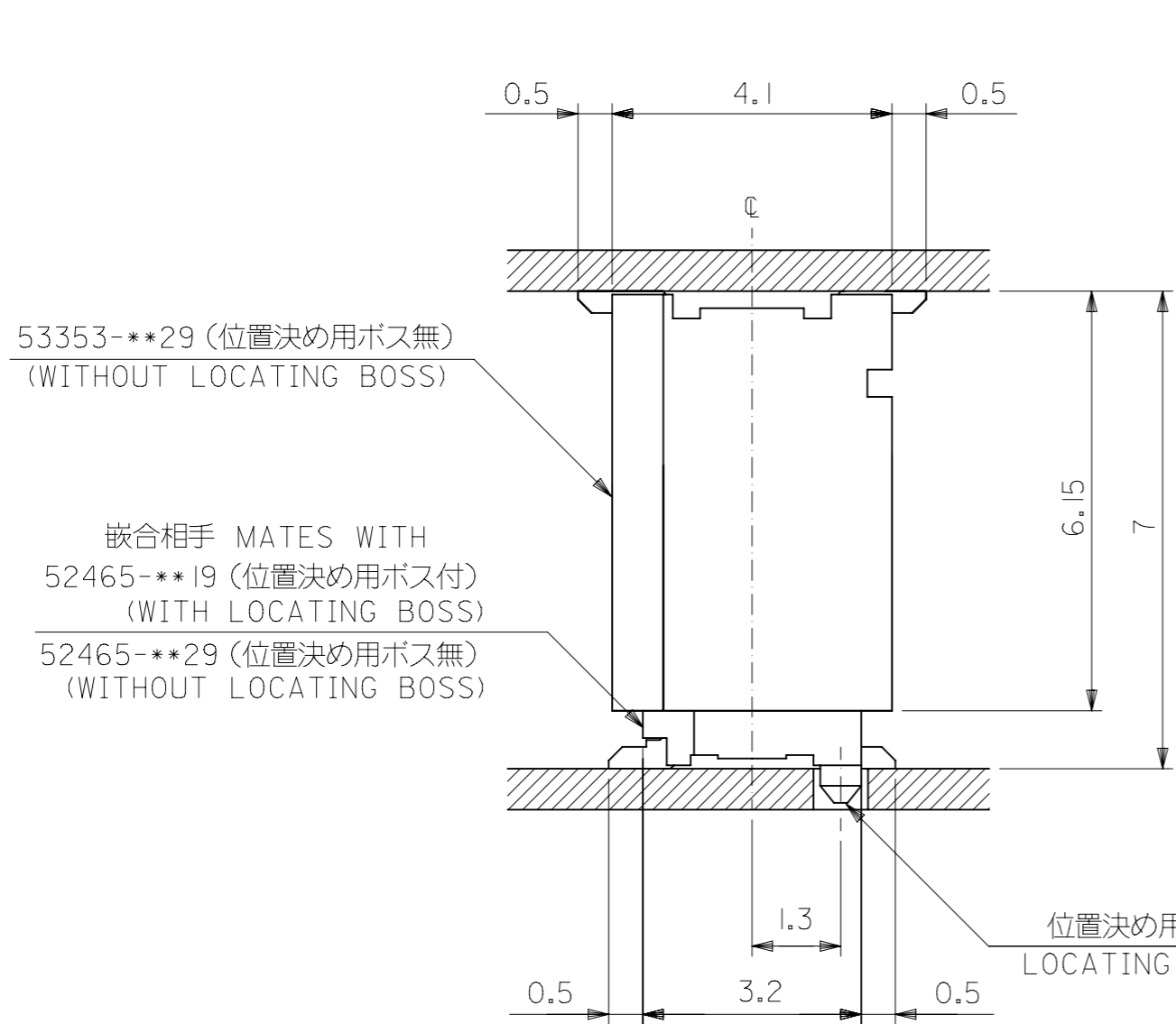
- 注記 NOTES
1. 嵌合相手: 52465, 52588 シリーズ
MATES WITH: 52465, 52588 SERIES
 2. ウェハーの ϕ から隣接するピンの ϕ 迄の位置を示す。
SHOW POSITION FROM ϕ OF WAFER TO ϕ OF ADJACENT PINS.
 3. ELV 及び RoHS 適合品。
ELV AND RoHS COMPLIANT.
 4. テール平坦度: 0.1MM A X .
COPLANARITY: 0.1MM MAXIMUM

0.8	5.8	4.9	3.2	53353-1071	10
D	C	B	(A)	EMBOSSED PACKAGE オーダー番号 ORDER NO. CONNECTOR SERIES No. : 53353-**29	極数 CIRCUIT



THIS DRAWING CONTAINS INFORMATION THAT IS PROPRIETARY TO MOLEX ELECTRONIC TECHNOLOGIES, LLC AND SHOULD NOT BE USED WITHOUT WRITTEN PERMISSION

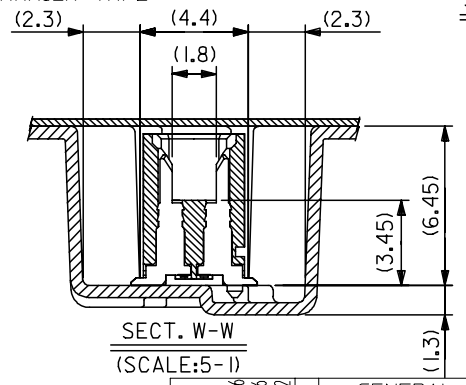
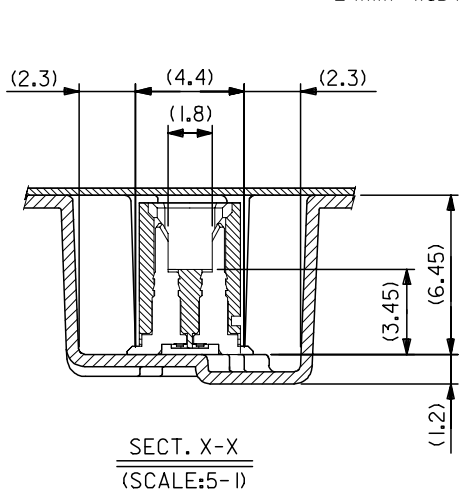
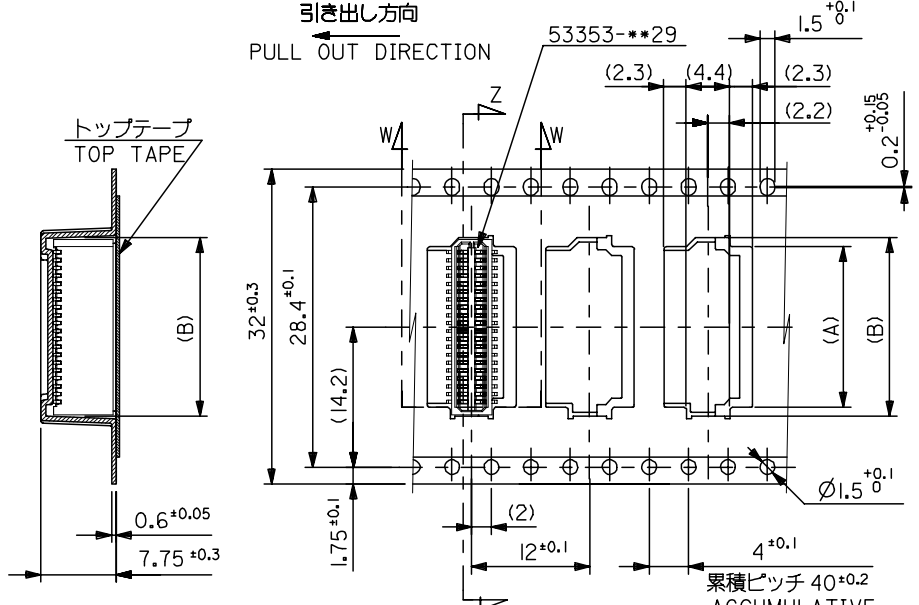
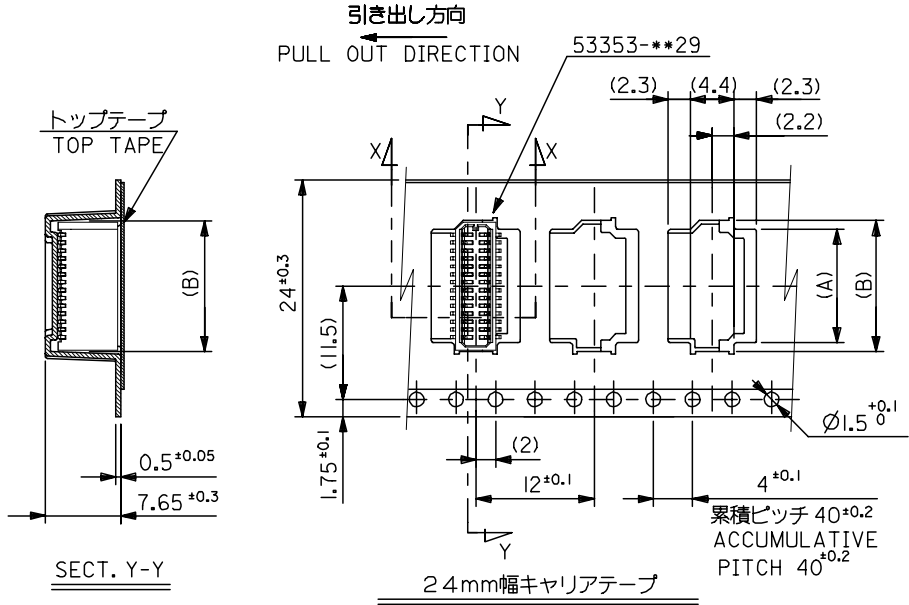
DIMENSION UNITS mm	SCALE NTS	CURRENT REV DESC: REMOVED OBSOLETE PART NUMBERS AS PER PCN#510812	molex		
GENERAL TOLERANCES (UNLESS SPECIFIED)		EC NO: 728320			
ANGULAR TOL	± 3.0°	DRWN: LIKITV	PRODUCT CUSTOMER DRAWING		
4 PLACES	± 0.2	CHK'D: GGA	DOCUMENT NUMBER		
3 PLACES	± 0.25	APPR: GGA	DOC TYPE		
2 PLACES	± 0.3	INITIAL REVISION:	DOC PART		
1 PLACE	±	DRWN: YWADA	REVISION		
0 PLACES	±	APPR: MSASAO	SD-53353-003		
DRAFT WHERE APPLICABLE MUST REMAIN WITHIN DIMENSIONS	THIRD ANGLE PROJECTION	DRAWING	SERIES	MATERIAL NUMBER	CUSTOMER
		A3-SIZE	53353	SEE CHART	GENERAL MARKET



嵌合状態図 (参考)
MATED DRAWING (REF.)

CONNECTOR SERIES No. : 53353-**29

THIS DRAWING CONTAINS INFORMATION THAT IS PROPRIETARY TO MOLEX ELECTRONIC TECHNOLOGIES, LLC AND SHOULD NOT BE USED WITHOUT WRITTEN PERMISSION									
DIMENSION UNITS	SCALE	CURRENT REV DESC: REMOVED OBSOLETE PART NUMBERS AS PER PCN#510812							
mm	NTS								
GENERAL TOLERANCES (UNLESS SPECIFIED)									
ANGULAR TOL	± 3.0 °	0.8 B/B CONN. WAFER ASSY ST. SMT(WITHOUT BOSS)							
4 PLACES	± 0.2	PRODUCT CUSTOMER DRAWING							
3 PLACES	± 0.25	DOCUMENT NUMBER							
2 PLACES	± 0.3	SD-53353-003							
1 PLACE	±	DOC TYPE							
0 PLACES	±	PSD							
DRAFT WHERE APPLICABLE MUST REMAIN WITHIN DIMENSIONS		THIRD ANGLE PROJECTION		DRAWING	SERIES	MATERIAL NUMBER	CUSTOMER	DOC PART	REVISION
				A3-SIZE	53353	SEE CHART	GENERAL MARKET	001	C1
									SHEET NUMBER
									2 OF 2



32mm 幅キャリアテープ		32mm WIDTH CARRIER TAPE				
32	37.4	33.4	18.1	16.3	53353-4071	40
			16.5	14.7	53353-3671	36
24	29.4	25.4	14.1	12.3	53353-3071	30
			13.3	11.5	53353-2871	28
			10.9	9.1	53353-2271	22
			10.1	8.3	53353-2071	20
			9.3	7.5	53353-1871	18
キャリアテープ幅 CARRIER TAPE WIDTH	D	C	(B)	(A)	MATERIAL NO.	極数 CIRCUIT

REVISED EC NO: J2005-2159 DRAWN: KENSUJUKI CHK'D: NUKITA APPR: NUKITA 2005/01/26 2005/01/26 2005/02/02	GENERAL TOLERANCES (UNLESS SPECIFIED)		DIMENSION STYLE MM ONLY		SCALE ---	DESIGN UNITS METRIC	THIRD ANGLE PROJECTION		
	10 UNDER ±0.2	10 OVER 30 UNDER ±0.25	30 OVER ±0.3	ANGULAR ±3°	DRAWN BY YWADA	DATE 2004/03/04	TITLE 0.8 BTB CONN WAFER ASSY ST SMT WITHOUT BOSS EMBTP PKG -LEAD FREE-		
	DRAFT WHERE APPLICABLE MUST REMAIN WITHIN DIMENSIONS				APPROVED BY MSASAO	DATE 2004/03/04	MOLEX INCORPORATED		SHEET NO. 2 OF 2
	SEE CHART		DOCUMENT NO. SD-53353-004		THIS DRAWING CONTAINS INFORMATION THAT IS PROPRIETARY TO MOLEX INCORPORATED AND SHOULD NOT BE USED WITHOUT WRITTEN PERMISSION				