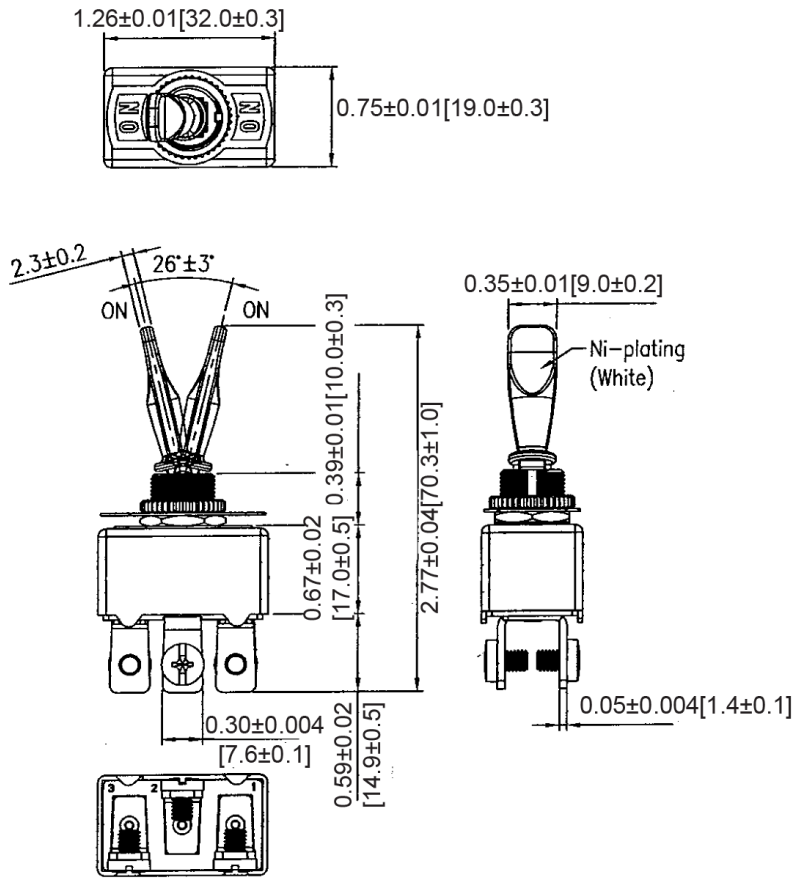
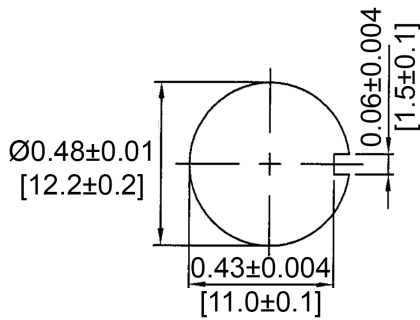


Mechanical Dimensions: Inches [mm]

Tolerances ± 0.012 [0.3] Unless Otherwise Specified



Mounting Hole



Circuit Diagram

3P SPDT ON-ON



Electrical Specifications

Rating	50A 12V DC
Contact Resistance	50m ohm Max
Insulation Resistance	DC 500V 100M ohm Min
Dielectric Strength	AC 1500V 1 minute

Material Specifications

Frame	Zn Alloy
Actuator	Ni-Plating , Zn Alloy

Rev Date of issue Revision Notes

Designed Approved

B	07-13-2021	Initial Drawing	RC	OF
---	------------	-----------------	----	----