

# IMP-C1000-SFP-bt Series

Compact Industrial Gigabit IEEE 802.3bt Ethernet-to-Fiber Media Converter, 1\*10/100/1000Tx RJ45 (90W/Port) to 1\*100/1000 SFP Slot



## Features

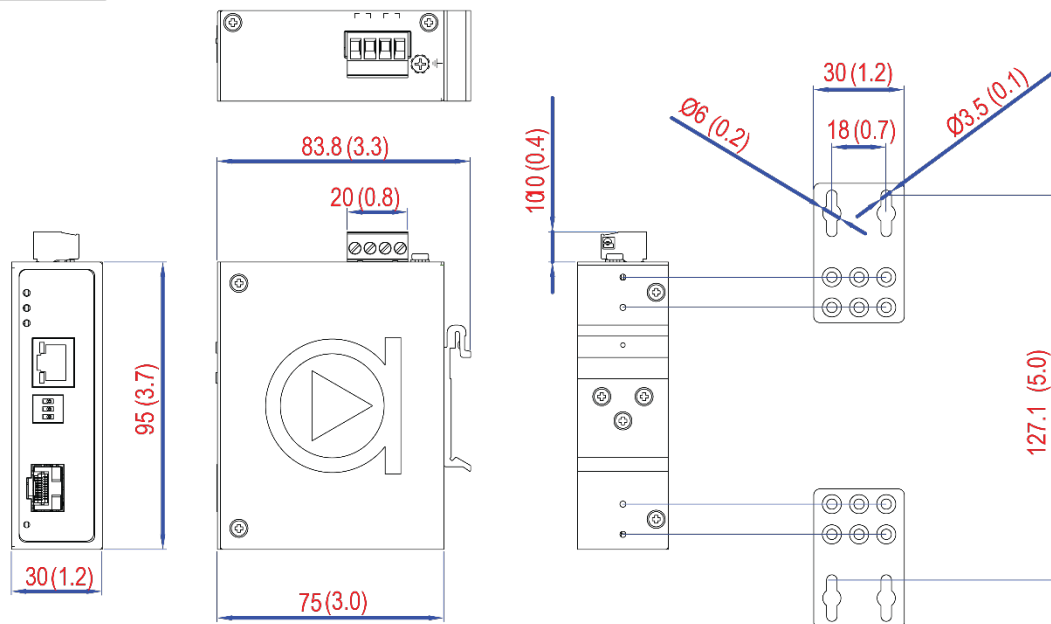
- ▶ 1-Port 10/100/1000Tx RJ45 with IEEE 802.3bt Compliant PoE
- ▶ 1-Port 100/1000Fx SFP Slot
- ▶ Link Fault Pass-Through (LFP) Function Support
- ▶ PD Remote Reset Technology (PRRT) Function Support
- ▶ IP30 Rugged Metal Case Design
- ▶ Power Input: 48~55VDC in 4-Pin Terminal Block
- ▶ DIN-Rail or Wall Mountable
- ▶ Operating Temperature Range
  - STD: -10° to 65°C, EOT: -40° to 75°C
- ▶ 5-Year Warranty

## INTRODUCTION

Antaira Technologies' IMP-C1000-SFP-bt series is a compact IP30 rated gigabit Ethernet-to-Fiber media converter featuring a 10/100/1000TX Ethernet port that supports IEEE 802.3bt high power PoE supplying up to 90 watts, and has a dual rate 100/1000 SFP slot. It is perfectly designed to fulfill industrial applications that require distance extension and high bandwidth capabilities. This small form factor is ideal for saving space in outdoor applications such as factory automation, security, ITS transportation, power/utility, water wastewater treatment plants, and any other extreme ambient weather environments.

The IMP-C1000-SFP-bt series has a built-in PD Remote Reset Technology function (PRRT). The PRRT function allows user to remotely reboot the media converter and reset the connected powered device (PD). The unit also has 48~55VDC redundant power inputs with reverse polarity and overload current protection. This product series supports DIN-rail as well as wall mountable orientations and there are two operating temperature range models in STD: -10°C to 65°C and EOT: -40°C to 75°C.

## DIMENSIONS



Unit: mm (inch)

Din-rail

Wall-mount

## SPECIFICATIONS

<b>Technology</b>	
<b>Standards</b>	IEEE 802.3 10Base-T Ethernet IEEE 802.3u 100Base-TX Fast Ethernet IEEE 802.3ab 1000Base-T Gigabit Ethernet IEEE 802.3z 1000Base-X Gigabit Fiber IEEE 802.3af/at/bt Power over Ethernet
<b>Processing Type</b>	Store and Forward
<b>Protocol</b>	CSMA/CD
<b>Flow Control</b>	IEEE 802.3x flow control, back pressure flow control
<b>Switch Properties</b>	
<b>Memory Buffer</b>	1Mbits
<b>Jumbo Frame</b>	10Kbytes
<b>MAC Table Size</b>	8K
<b>Port Interface</b>	
<b>Ethernet Port</b>	1*10/100/1000 Base-T(X) with IEEE 802.3bt PoE Auto-Negotiation, Full/Half Duplex, Auto-MDI/MDI-X
<b>PoE Pin Out</b>	V-, V-, V+, V+, for pin 1, 2, 3, 6 V+, V+, V-, V-, for pin 4, 5, 7, 8
<b>Fiber Port</b>	1*100/1000 SFP Slot
<b>Wavelength</b>	Depends on SFP Slot
<b>DIP Switch</b>	DIP Switch 1: PD Remote Reset Technology (PRRT) Enable/ Disable DIP Switch 2: LFP (Link Fault Pass) Enable/Disable DIP Switch 3: 100Mbps / 1000Mbps
<b>LED Indicators</b>	Power Status LED, IEEE802.3af/at PoE Enabled LED, IEEE 802.3bt PoE Enabled LED Ethernet Ports: On-Link/Flash-data transmitting SFP: Link/Active

<b>Mechanical Characteristics</b>	
<b>Housing</b>	Metal, IP30 Protection
<b>Dimensions</b>	30 x 95 x 75mm
<b>Weight</b>	Unit: 0.59 lb Shipping: 0.81 lb
<b>Mounting</b>	DIN-Rail mounting, Wall mounting
<b>Power Requirement</b>	
<b>Input Voltage</b>	48~55VDC, Redundant Inputs * For 802.3bt application, power supply not less than 53V is recommended
<b>Power Connection</b>	Removable 4-Contact Terminal Block
<b>Power Consumption</b>	3W
<b>Max. PoE Power Budget</b>	90W
<b>Environmental Limits</b>	
<b>Operating Temperature</b>	STD: -10°C to 65°C EOT: -40°C to 75°C
<b>Storage Temperature</b>	-40°C to 85°C
<b>Ambient Relative Humidity</b>	5% to 95%, (non-condensing)
<b>Regulatory Approvals</b>	
<b>EMI</b>	FCC Part 15 Subpart B Class A, CE EN55032/EN61000-6-4 Class A
<b>EMS</b>	CE EN55035/EN61000-6-2 Class A: IEC61000-4-2,3,4,5,6,8
<b>Free Fall</b>	IEC60068-2-32
<b>Shock</b>	IEC60068-2-27
<b>Vibration</b>	IEC60068-2-6
<b>Green</b>	RoHS Compliant
<b>Certifications</b>	FCC, CE
<b>Warranty</b>	5 Years

## ORDERING INFO

<b>IMP-C1000-SFP-bt</b>	Compact Industrial Gigabit IEEE 802.3bt Ethernet-to-Fiber Media Converter, 1*10/100/1000Tx (90W/Port) to 1*100/1000 SFP Slot
<b>IMP-C1000-SFP-bt-T</b>	Compact Industrial Gigabit IEEE 802.3bt Ethernet-to-Fiber Media Converter, 1*10/100/1000Tx (90W/Port) to 1*100/1000 SFP Slot; EOT: -40°C to 75°C