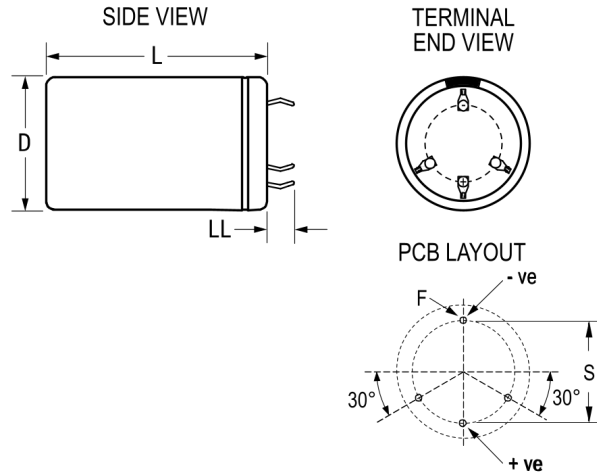


ALC80C241DD500

Aliases (A547EF241M500C)

ALC80, Aluminum Electrolytic, 240 uF, 20%, 500 VDC, -40/+105°C



Click [here](#) for the 3D model.

Dimensions

| | |
|----|-----------------|
| D | 35mm +1mm |
| L | 40mm +/-2mm |
| S | 22.5mm +/-0.1mm |
| LL | 6.3mm +/-1mm |
| F | 2mm +/-0.1mm |

Packaging Specifications

| | |
|-----------|-----------|
| Sleeving | Yes |
| Packaging | Bulk, Bag |

General Information

| | |
|------------------|--------------------------------------|
| Series | ALC80 |
| Dielectric | Aluminum Electrolytic |
| Description | Snap-In, Aluminum Electrolytic |
| RoHS | Yes |
| Lead | 4 Pin |
| AEC-Q200 | No |
| Halogen Free | Yes |
| Component Weight | 65 g |
| Notes | Dimensions D And L Include Sleeving. |
| Shelf Life | 156 Weeks |

Specifications

| | |
|-----------------------|--|
| Capacitance | 240 uF |
| Capacitance Tolerance | 20% |
| Voltage DC | 500 VDC, 550 VDC (Surge) |
| Temperature Range | -40/+105°C |
| Rated Temperature | 105°C |
| Life | 8000 Hrs (Rated Voltage And Ripple Current At 105C), 13000 Hrs (Rated Voltage At 105C) |
| Resistance | 709.4 mOhms (100Hz 20C), 490.8 mOhms (10kHz 20C) |
| Ripple Current | 1.932 Amps (100Hz 105C), 4.973 Amps (10kHz 105C) |
| Leakage Current | 360 uA (5min 20°C) |