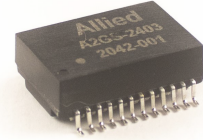




2.5 Gigabit LAN Filter Module

A2GS-2403

- Operating Temperature Range: 0°C to +70°C
- Storage Temperature Range: -20°C to +125°C
- Reflow Condition: T_p is 260°C / -5°C for 30 Sec.
(Refer to IPC / JEDEC J-STD-020 standard)



Electrical Specifications @ 25°C

OCL(μH Min) @ 100kHz, 0.1V	Turns Ratio (±5%)	Return Loss (dB Min)	
		1-40MHz	40-200MHz
150	1CT: 1CT	-17	-17+14*log(f/40)

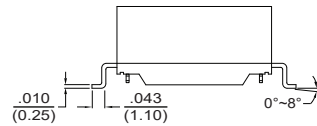
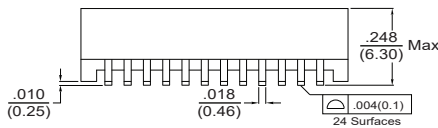
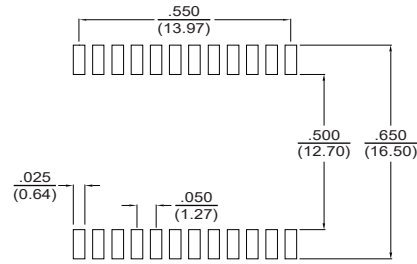
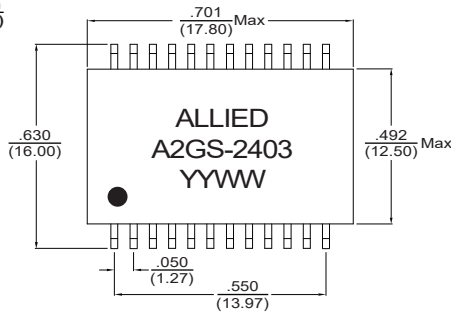
Electrical Specifications @ 25°C

Insertion Loss (dB Max)		Cross Talk (dB Min)	DCMR (dB Min)	HI-POT Isolation (V _{rms})
1-50MHz	50-125MHz	1-125MHz	1-125MHz	
-0.5	-1.0	-30	-30	1500

All specifications subject to change without notice.

MECHANICAL

Dimensions: inch
(mm)



Unless otherwise specified, all tolerances are ±0.25(0.010)

SCHEMATICS

