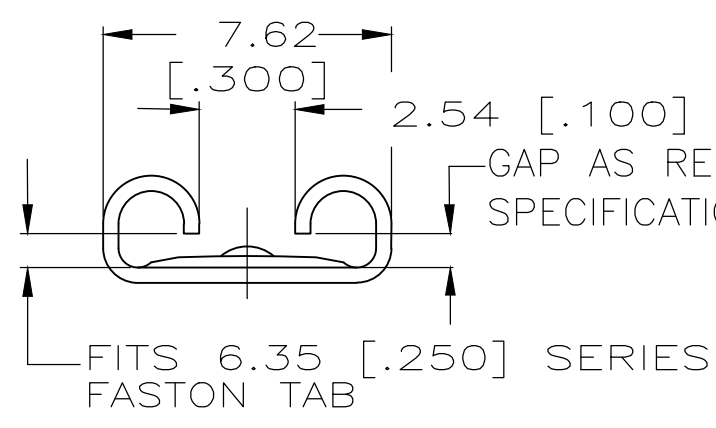
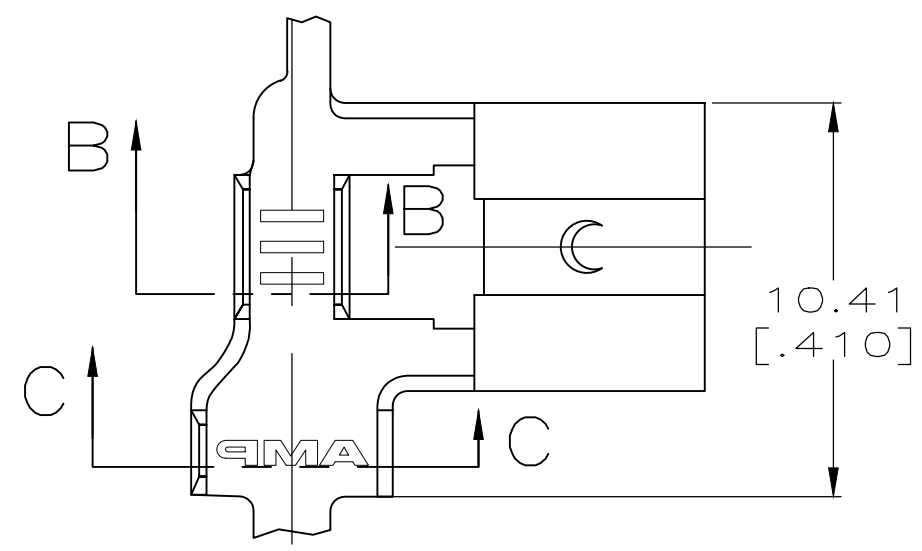


THIS DRAWING IS UNPUBLISHED. RELEASED FOR PUBLICATION
 © COPYRIGHT - By - ALL RIGHTS RESERVED.

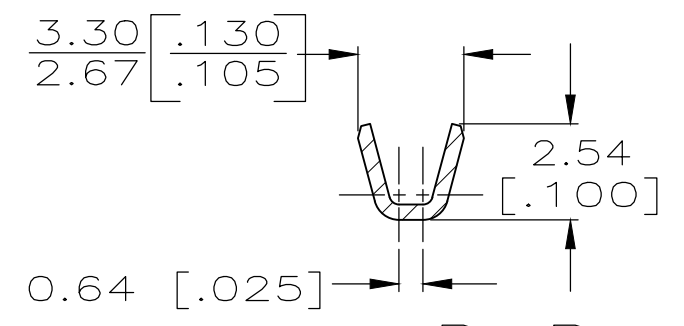
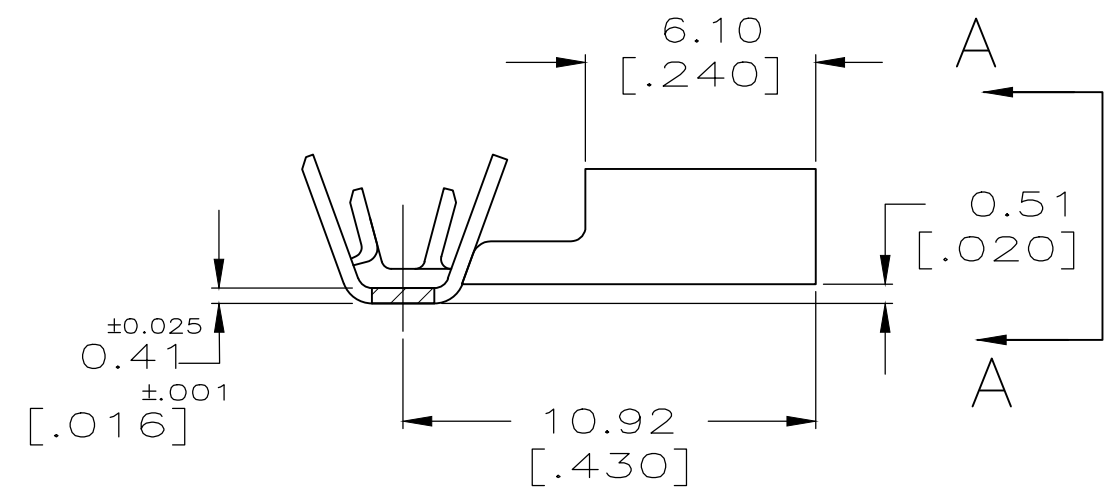
LOC	DIST	REVISIONS					
AF	50	P	LTR	DESCRIPTION	DATE	DWN	APVD
			F1	REVISED PER ECR-20-009164	28JUL2020	MK	DH



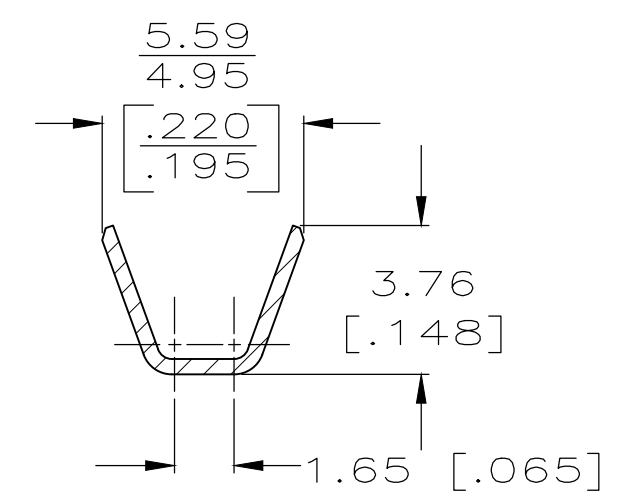
1 CONTINUOUS STRIP ON REELS.

GAP AS REQUIRED TO MEET FORCE SPECIFICATIONS AND 0.71 [.028] MAX

VIEW A-A



SECTION B-B



SECTION C-C

TIN	1.52-2.54 [.060-.100] DIA	0.3-0.9mm ² [22-18] AWG	0.84-0.76 [.033-.030]	62814-2 62814-1
FINISH	INSUL RANGE	WIRE SIZE	MATING TAB THK	PART NO

THIS DRAWING IS A CONTROLLED DOCUMENT.		DWN	JR RUTH	4/8/91	TE Connectivity RECEPTACLE, FASTON, FLAG, 6.35 [.250] SERIES								
DIMENSIONS: mm [INCHES]		CHK	MS FEHER	4/8/91									
TOLERANCES UNLESS OTHERWISE SPECIFIED:		APVD	C MEYERS	4/8/91									
0 PLC ± - 1 PLC ± - 2 PLC ± - 3 PLC ± 0.38 [.015] 4 PLC ± - ANGLES ± -		PRODUCT SPEC		NAME									
MATERIAL	BRASS	FINISH	SEE TABLE	WEIGHT	-	SIZE	A3	CAGE CODE	00779	DRAWING NO	C-62814	RESTRICTED TO	-
CUSTOMER DRAWING						SCALE	5:1	SHEET	1 OF 1	REV	F1		