

REVISIONS

| P | LTR | DESCRIPTION                 | DATE      | DWN | APVD |
|---|-----|-----------------------------|-----------|-----|------|
| A |     | PARTS RLEASD FOR PRODUCTION | 10JAN2019 | RK  | PS   |

NOTES:

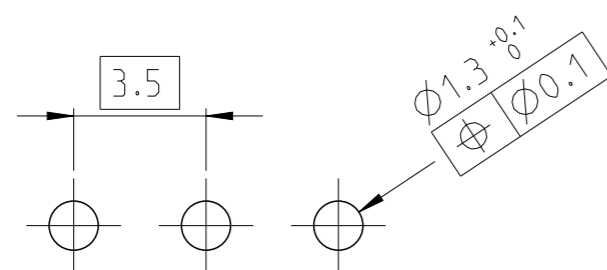
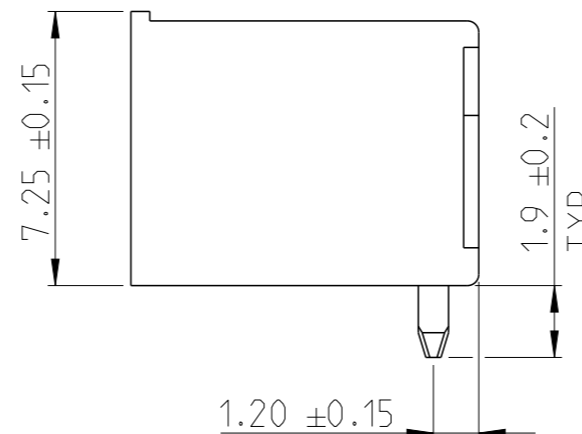
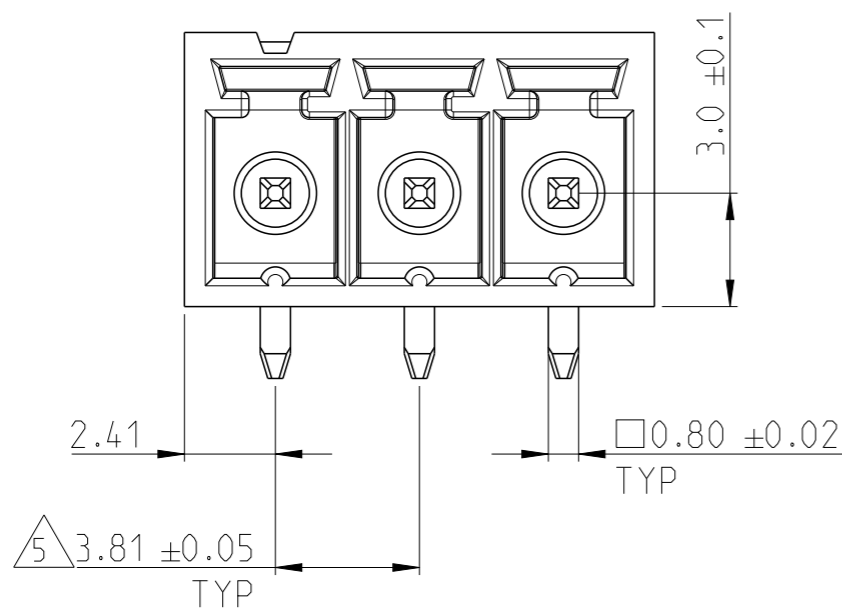
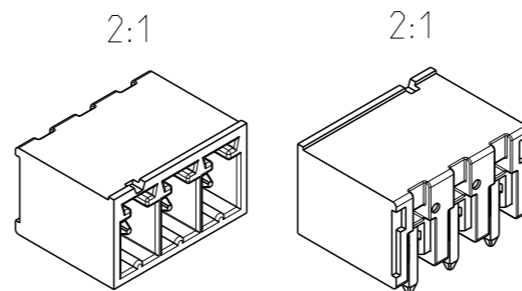
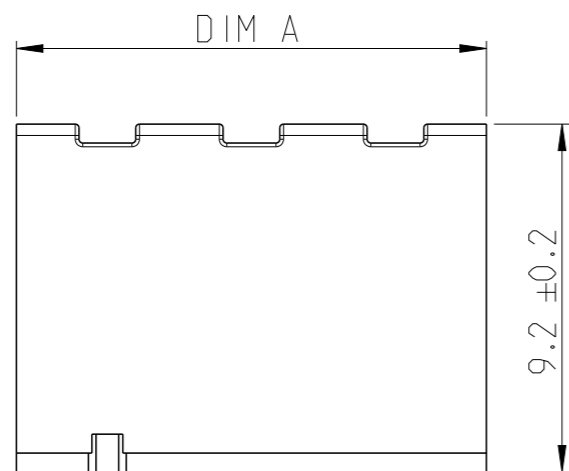
- MATERIAL AND FINISH:  
HOUSING : HIGH TEMPERATURE POLYAMIDE, UL94V-0  
COLOR BLACK.  
TERMINAL : COPPER ALLOY, TIN PLATED.
- MECHANICAL  
PLUG MAX. INSERTION FORCE PER POLE : 3.0 N  
PLUG MIN. WITHDRAWAL FORCE PER POLE : 1.5 N  
MIN. PC BOARD HOLES DIAMETER : 1.3 mm  
MAX. PC BOARD THICKNESS : 1.6 mm
- ELECTRICAL  
MAX. VOLTAGE : 300 V  
MAX CURRENT : 11 A  
CONTACT RESISTANCE : <15 m Ohm  
INSULATION RESISTANCE : >1000 M Ohm (500V DC)

4. OPERATING TEMPERATURE RANGE: -40°C TO +105°C

△ NOT CUMULATIVE TOLERANCE.

6. PARTS ARE PACKED IN BOX.

|       |            |             |
|-------|------------|-------------|
| 96.25 | 25         | 2-2342077-5 |
| 92.44 | 24         | 2-2342077-4 |
| 88.63 | 23         | 2-2342077-3 |
| 84.82 | 22         | 2-2342077-2 |
| 81.01 | 21         | 2-2342077-1 |
| 77.20 | 20         | 2-2342077-0 |
| 73.39 | 19         | 1-2342077-9 |
| 69.58 | 18         | 1-2342077-8 |
| 65.77 | 17         | 1-2342077-7 |
| 61.96 | 16         | 1-2342077-6 |
| 58.15 | 15         | 1-2342077-5 |
| 54.34 | 14         | 1-2342077-4 |
| 50.53 | 13         | 1-2342077-3 |
| 46.72 | 12         | 1-2342077-2 |
| 42.91 | 11         | 1-2342077-1 |
| 39.10 | 10         | 1-2342077-0 |
| 35.29 | 9          | 2342077-9   |
| 31.48 | 8          | 2342077-8   |
| 27.67 | 7          | 2342077-7   |
| 23.86 | 6          | 2342077-6   |
| 20.05 | 5          | 2342077-5   |
| 16.24 | 4          | 2342077-4   |
| 12.43 | 3          | 2342077-3   |
| 8.62  | 2          | 2342077-2   |
| DIM A | NO. OF POS | PART NUMBER |



RECOMMENDED PC BOARD LAYOUT

THIS DRAWING IS A CONTROLLED DOCUMENT.

|                  |           |
|------------------|-----------|
| DWN              | 14DEC2018 |
| RAGHAVENDRA.K    |           |
| CHK              | 19DEC2018 |
| KARTHIK.JK       |           |
| APVD             | 19DEC2018 |
| PRASHANTH        |           |
| PRODUCT SPEC     |           |
| APPLICATION SPEC |           |
| WEIGHT           | -         |



NAME: HEADER 90 DEG, HIGH TEMPERATURE, 3.81MM PITCH, TAIL LENGTH 1.9mm

| DIMENSIONS: | TOLERANCES UNLESS OTHERWISE SPECIFIED: |
|-------------|--|
| mm          |  |
| 0 PLC       | ±                                      |
| 1 PLC       | ±0.3                                   |
| 2 PLC       | ±0.25                                  |
| 3 PLC       | ±                                      |
| 4 PLC       | ±                                      |
| ANGLES      | ±2°                                    |
| MATERIAL    | FINISH                                 |
| SEE NOTES   | SEE NOTES                              |

| SIZE             | CAGE CODE | DRAWING NO | RESTRICTED TO      |
|------------------|-----------|------------|--------------------|
| A3               | 00779     | C=2342077  | -                  |
| CUSTOMER DRAWING |           | SCALE 5:1  | SHEET 1 OF 1 REV A |