

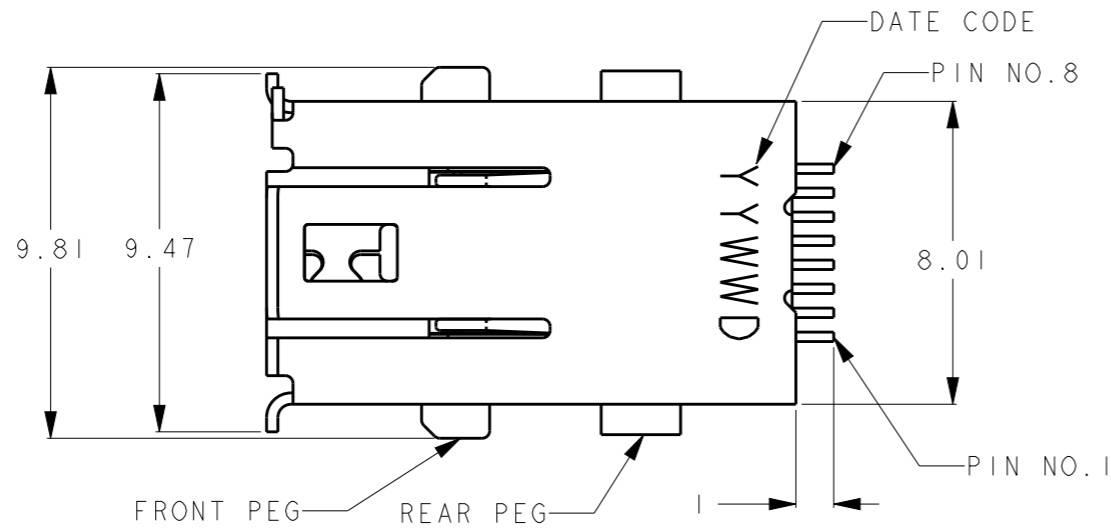
THIS DRAWING IS UNPUBLISHED. RELEASED FOR PUBLICATION 2016

© COPYRIGHT 2016 BY Tyco Electronics Japan G.K. ALL RIGHTS RESERVED.

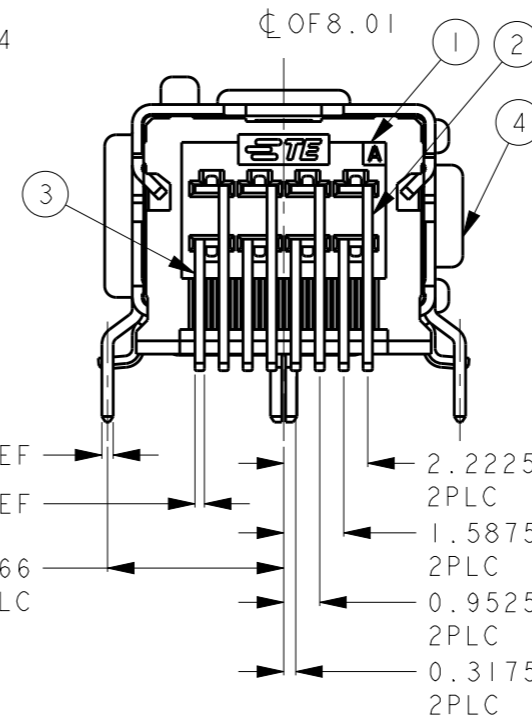
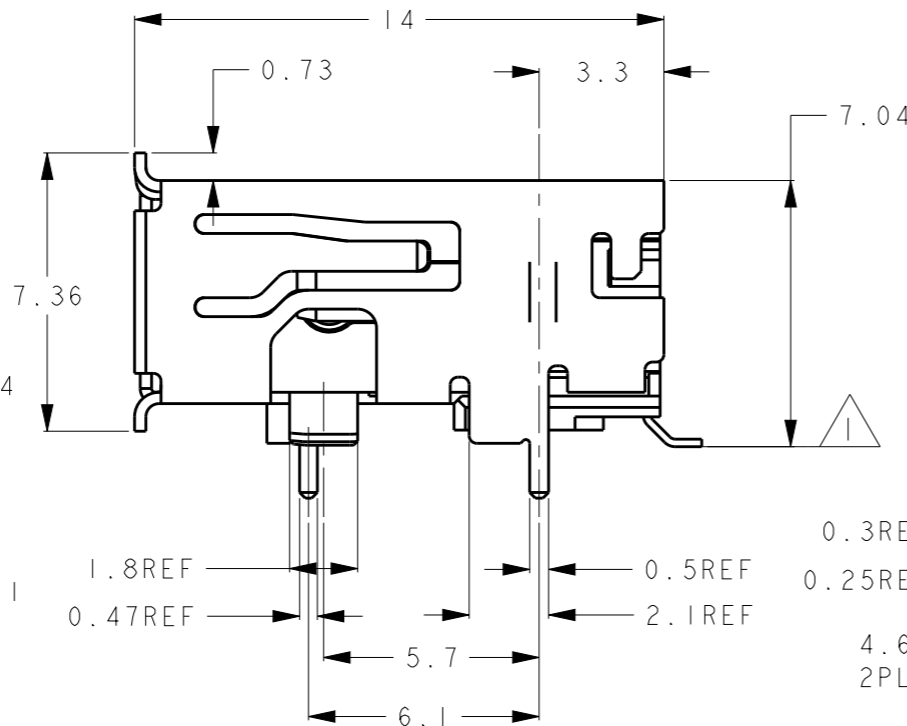
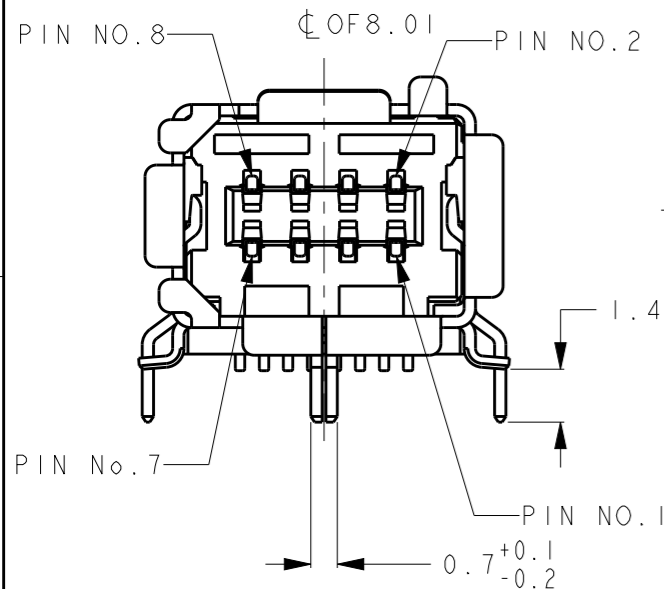
-1: AS SHOWN

REVISIONS

P	LTR	DESCRIPTION	DATE	DWN	APVD
A		RELEASED	28JUN2016	T.S	N.Y
B		REVISED	11JUL2016	T.S	N.Y
B1		RELEASED PER ECR-18-009389	18JUN2018	PP	YO
B2		ADDED NEW PART VARIANT 3--1 AND 3--2	19OCT2020	SS	JDB



P/N	D-SHAPE	HOUSING COLOR
3-2294417-2	TYPE II	BLACK
3-2294417-1	TYPE I	BLACK
2294417-4	TYPE II	NATURAL
2294417-2	TYPE II	BLACK
2294417-1	TYPE I	BLACK



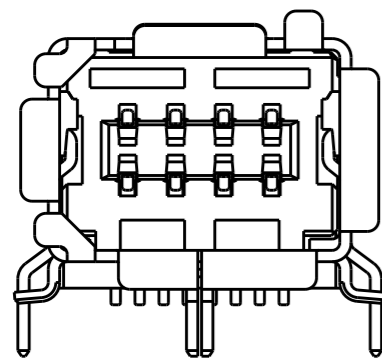
1 COPLANARITY: 0.08MAX (FRONT PEG, CONTACT)

2 DIMENSION DECIDED BY CUSTOMER

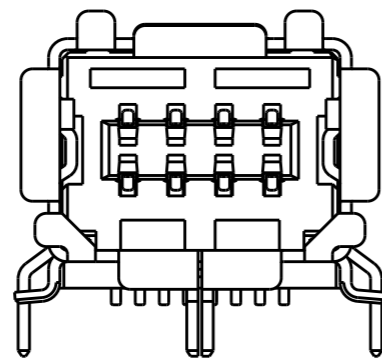
3. PRODUCT QUANTITY : 300/REEL

PRELIMINARY
PRELIMINARY

DESCRIPTION	ITEM
HDR SHELL TYPE II MATERIAL: SUS UNDER ALL SURFACE Ni 0.00127MIN ALL SURFACE Sn 0.002MIN	4
HDR SHELL TYPE I MATERIAL: SUS UNDER ALL SURFACE Ni 0.00127MIN ALL SURFACE Sn 0.002MIN	4
HDR LOWER CONTACT MATERIAL: COPPER ALLOY UNDER ALL SURFACE Ni 0.00127MIN CONTACT AREA Au 0.76µm MIN SOLDERING AREA Sn 0.002MIN	3
HDR LOWER CONTACT MATERIAL: COPPER ALLOY UNDER ALL SURFACE Ni 0.00127MIN CONTACT AREA Au 0.5µm MIN SOLDERING AREA Sn 0.002MIN	2
HDR UPPER CONTACT MATERIAL: COPPER ALLOY UNDER ALL SURFACE Ni 0.00127MIN CONTACT AREA Au 0.76µm MIN SOLDERING AREA Sn 0.002MIN	2
HDR UPPER CONTACT MATERIAL: COPPER ALLOY UNDER ALL SURFACE Ni 0.00127MIN CONTACT AREA Au 0.5µm MIN SOLDERING AREA Sn 0.002MIN	1
HDR HOUSING MATERIAL: THERMO PLASTIC(UL94 V-0) COLOR: NATURAL	1
HDR HOUSING MATERIAL: THERMO PLASTIC(UL94 V-0) COLOR: BLACK	1
DESCRIPTION	ITEM



TYPE I



TYPE II

THIS DRAWING IS A CONTROLLED DOCUMENT.

DIMENSIONS: 単位: ㎜	TOLERANCES UNLESS OTHERWISE SPECIFIED:
mm	一般公差 ±0.3
	0-PLC ±
	1-PLC ±
	2-PLC ±
	3-PLC ±
	4-PLC ±
	ANGLES ±5°

MATERIAL 材料 FINISH 仕上

DWN 28JUN2016
T. SHIMOYASU
CHK 28JUN2016
E. TAKEMASA
APVD 28JUN2016
N. YAMASAKI

PRODUCT SPEC
製品規格
108-78405
APPLICATION SPEC
取付適用規格
114-32132
WEIGHT
1.08g

CUSTOMER DRAWING



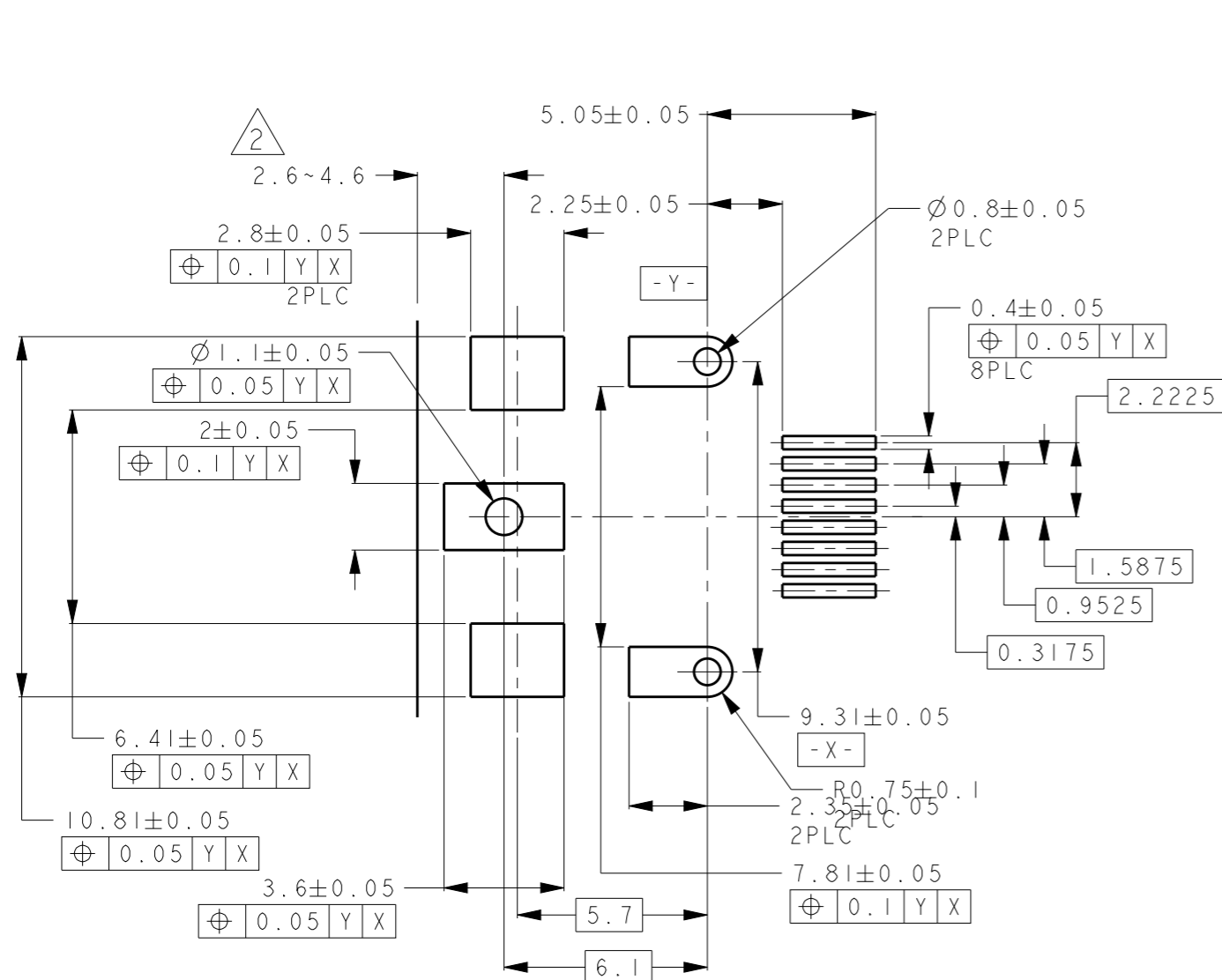
INDUSTRIAL MINI I/O CONN.
1.27MM PITCH 8P HDR ASSY SMT EMBOSS

SIZE A3 CAGE CODE - DRAWING NO. C-2294417 RESTRICTED TO -

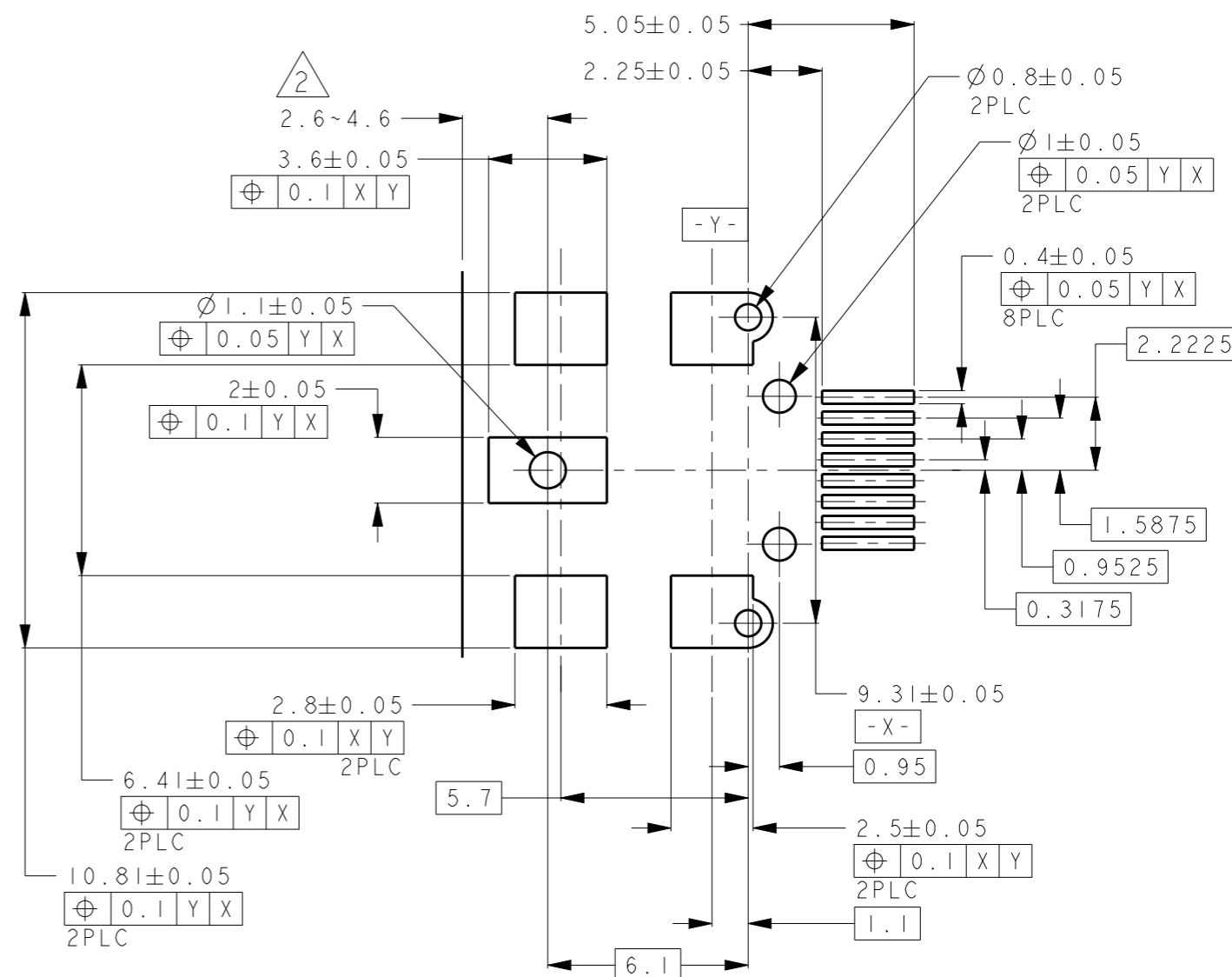
SCALE 5:1 SHEET 1 OF 3 REV B2

REVISIONS

P	LTR	DESCRIPTION	DATE	DWN	APVD
		SEE SHEET 1			



REFERENCE PCB DIMENSIONS (STANDARD) t=1.6±0.1



REFERENCE PCB DIMENSIONS (SAME AS 1981080-1/1981386-1) t=1.6±0.1

THIS DRAWING IS A CONTROLLED DOCUMENT.		DWN	 TE Connectivity	
DIMENSIONS: 単位: 耗 mm		CHK		
TOLERANCES UNLESS OTHERWISE SPECIFIED: 一般公差 ±0.3		APVD		
 0-PLC ± 1-PLC ± 2-PLC ± 3-PLC ± 4-PLC ± ANGLES ±5°		PRODUCT SPEC 製品規格	NAME 名称 INDUSTRIAL MINI I/O CONN. 1.27MM PITCH 8P HDR ASSY SMT EMBOSS	
MATERIAL 材料		FINISH 仕上	APPLICATION SPEC 取付適用規格	RESTRICTED TO
		WEIGHT	SIZE A3	CAGE CODE -
		CUSTOMER DRAWING	DRAWING NO. 番号 C-2294417	SCALE 尺度 4:1
			SHEET 2 OF 3	REV B2

THIS DRAWING IS UNPUBLISHED.

RELEASED FOR PUBLICATION

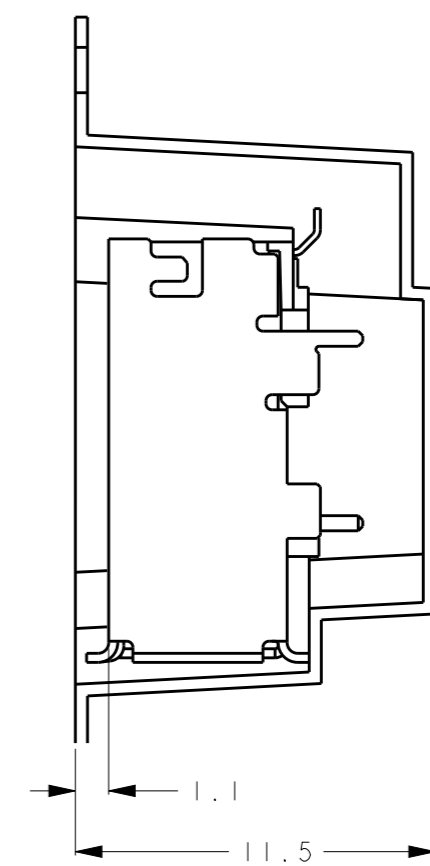
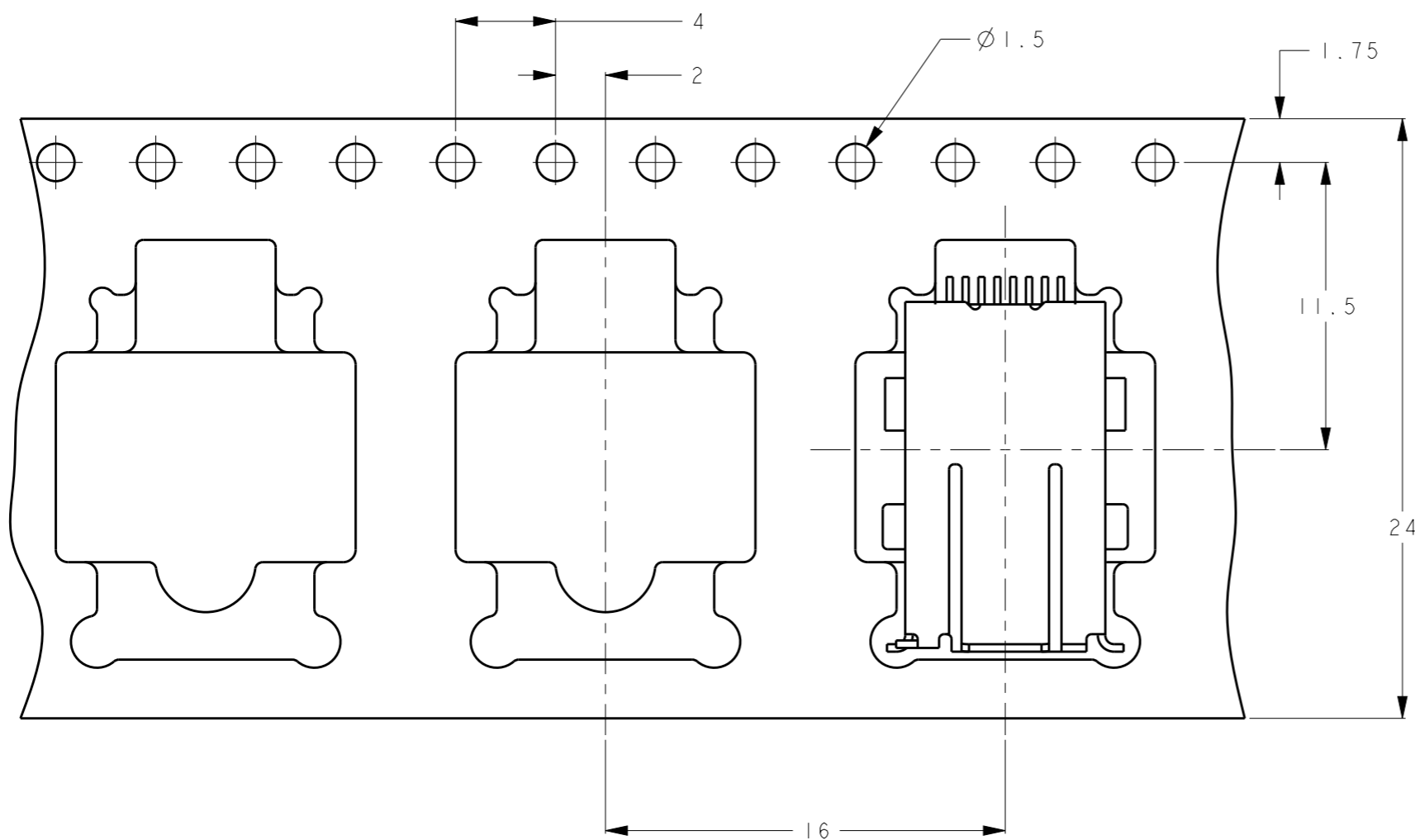
2016

© COPYRIGHT 2016 BY Tyco Electronics Japan G.K. ALL RIGHTS RESERVED.

REVISIONS

変更

P	LTR	DESCRIPTION	DATE	DWN	APVD
		SEE SHEET 1			



EMBOSS TAPE

THIS DRAWING IS A CONTROLLED DOCUMENT.

DIMENSIONS: 単位: 耗 mm		TOLERANCES UNLESS OTHERWISE SPECIFIED:	
		一般公差	± 0.5
		0-PLC	\pm
		1-PLC	\pm
		2-PLC	\pm
		3-PLC	\pm
MATERIAL 材料		FINISH 仕上	
		ANGLES $\pm 5^\circ$	

DWN
CHK
APVD
PRODUCT SPEC 製品規格
APPLICATION SPEC 取付適用規格
WEIGHT
CUSTOMER DRAWING



NAME
名称 INDUSTRIAL MINI I/O CONN.
1.27MM PITCH 8P HDR ASSY SMT EMBOSS

SIZE A3	CAGE CODE -	DRAWING NO 番号 C-2294417	RESTRICTED TO -
------------	----------------	-------------------------------	--------------------

SCALE 尺度 4:1	SHEET 3 OF 3	REV B2
-----------------	-----------------	-----------