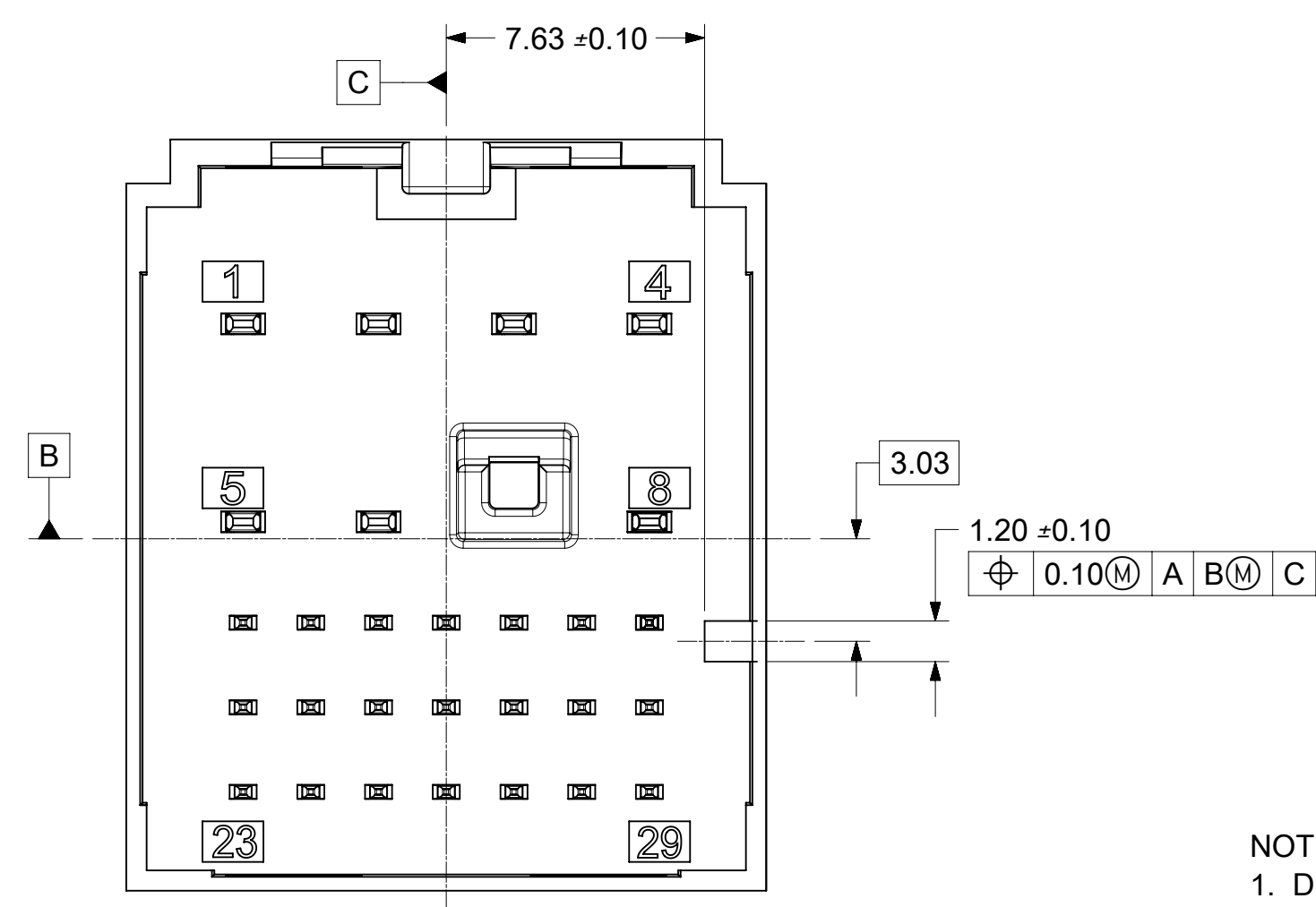
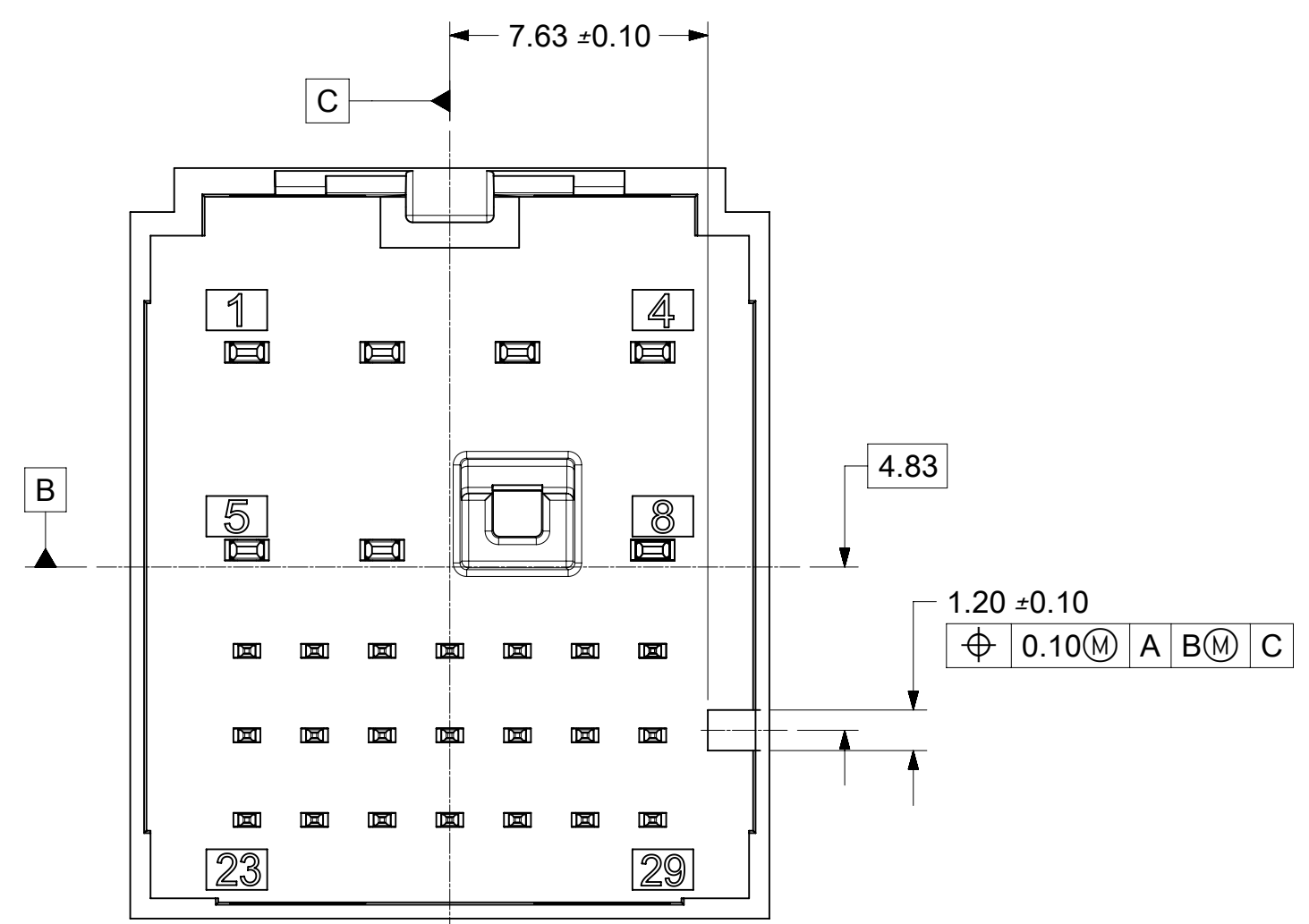


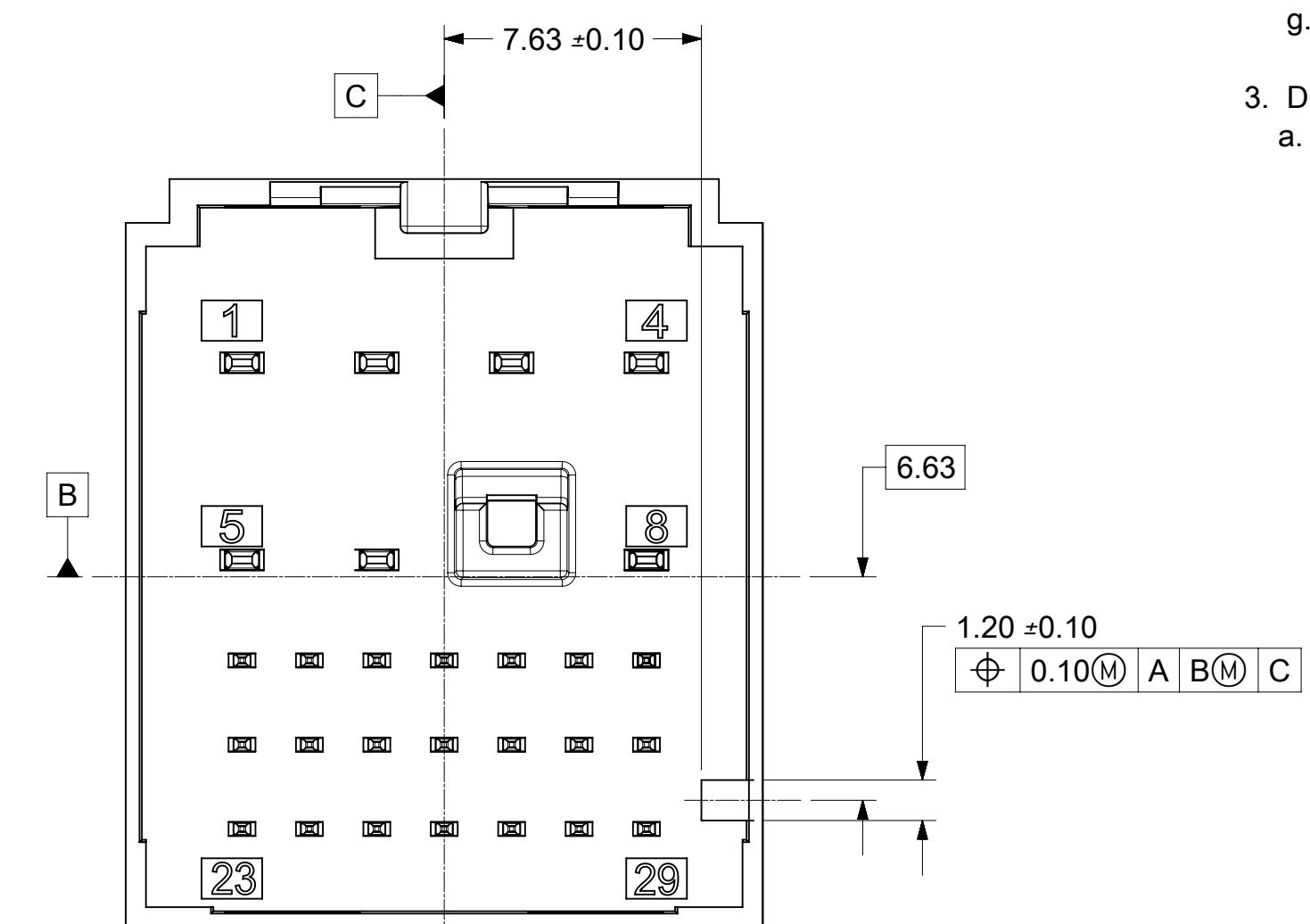
INTERFACE KEY #1
MATING CONNECTOR COLOR; DARK GRAY



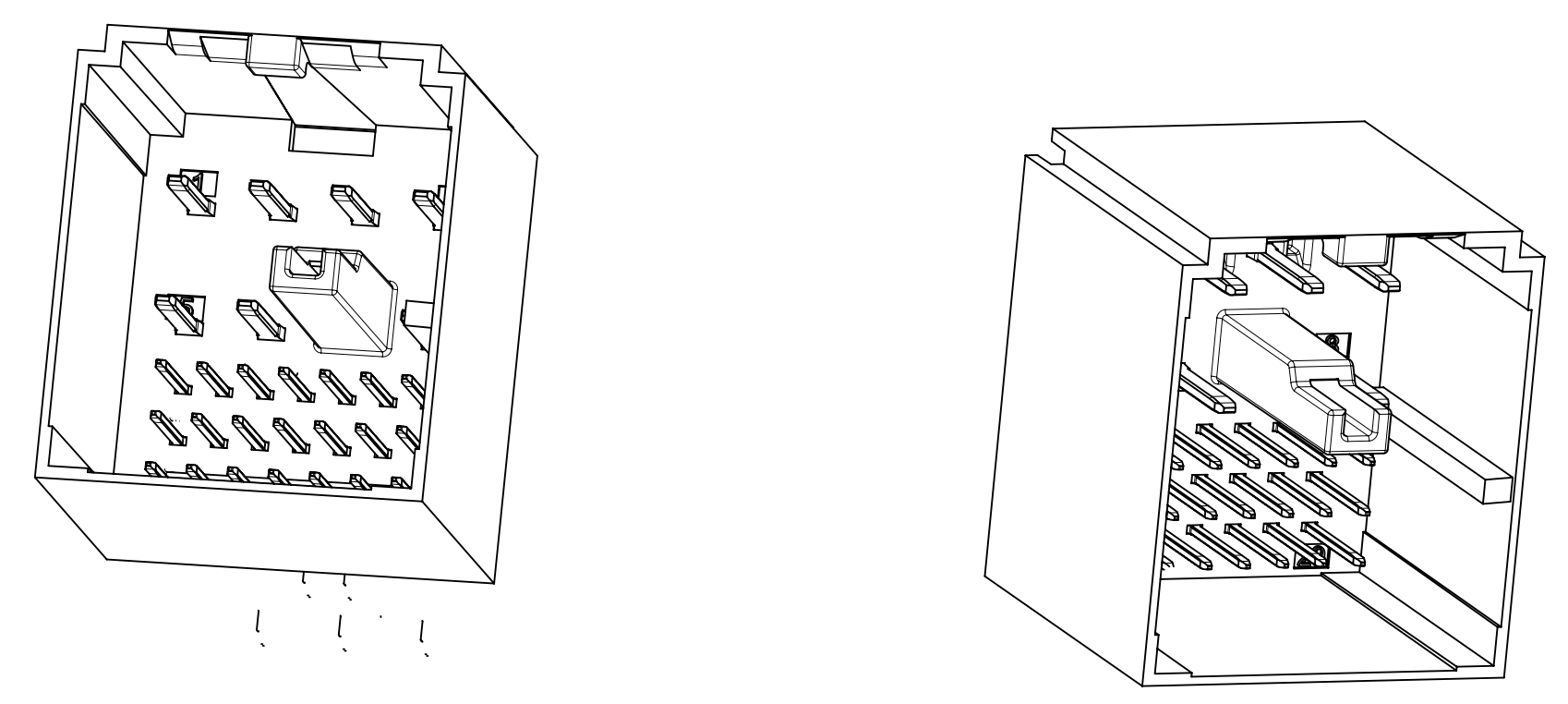
INTERFACE KEY #2
MATING CONNECTOR COLOR; LT GREEN A



INTERFACE KEY #3
MATING CONNECTOR COLOR; LIGHT GRAY



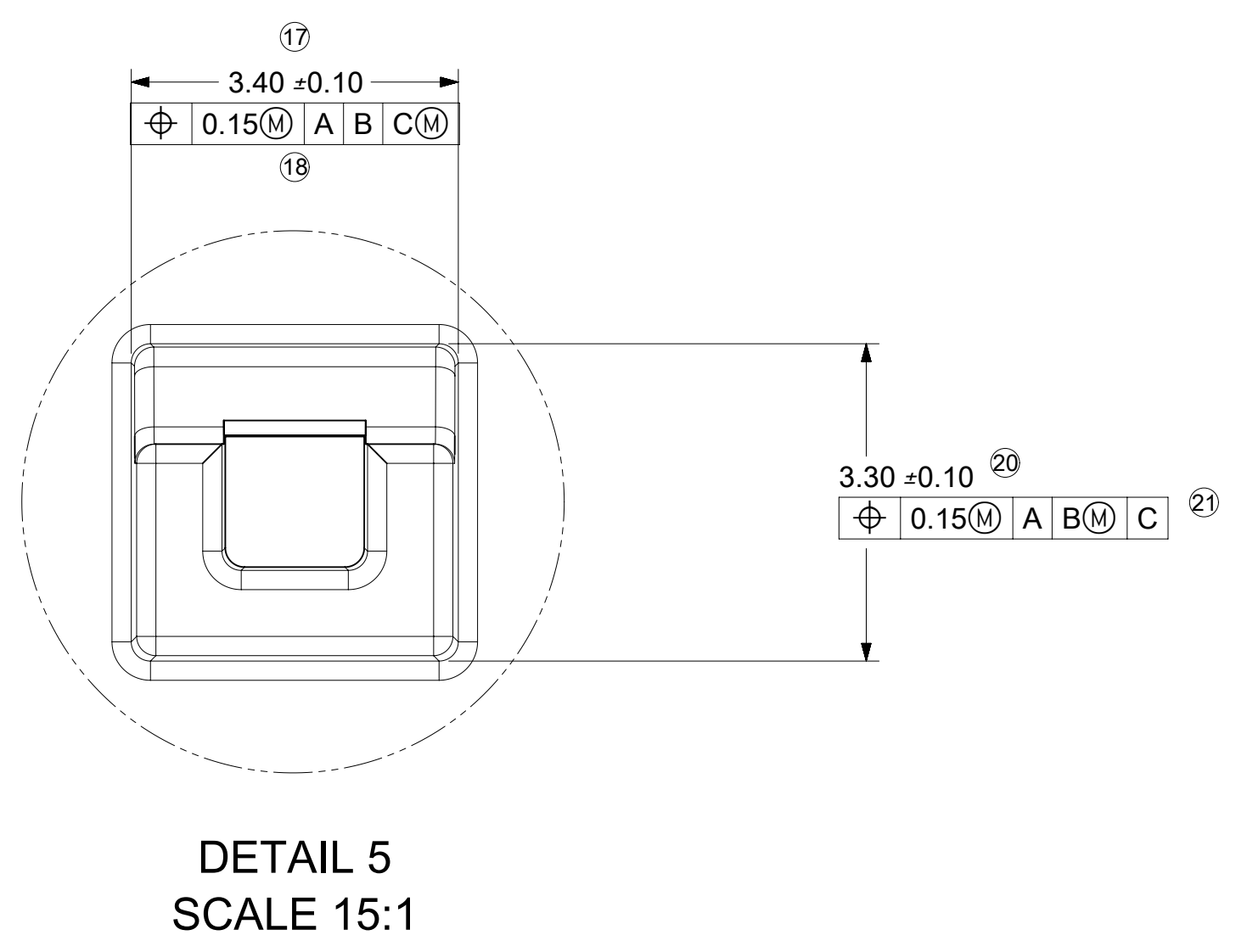
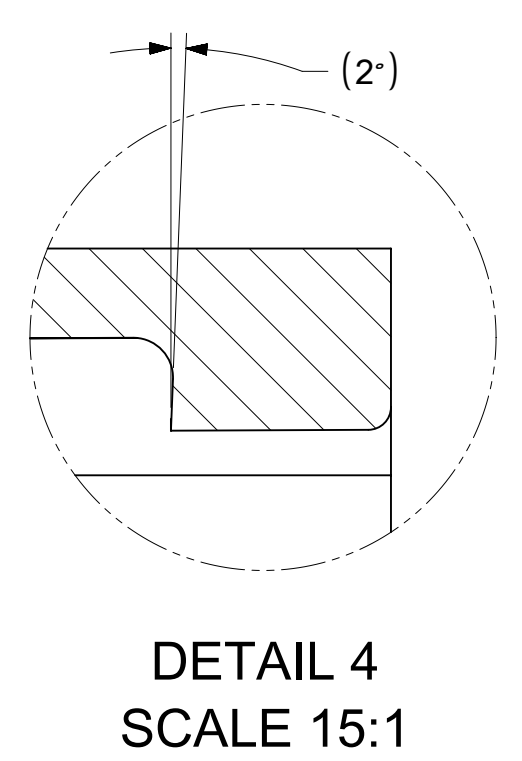
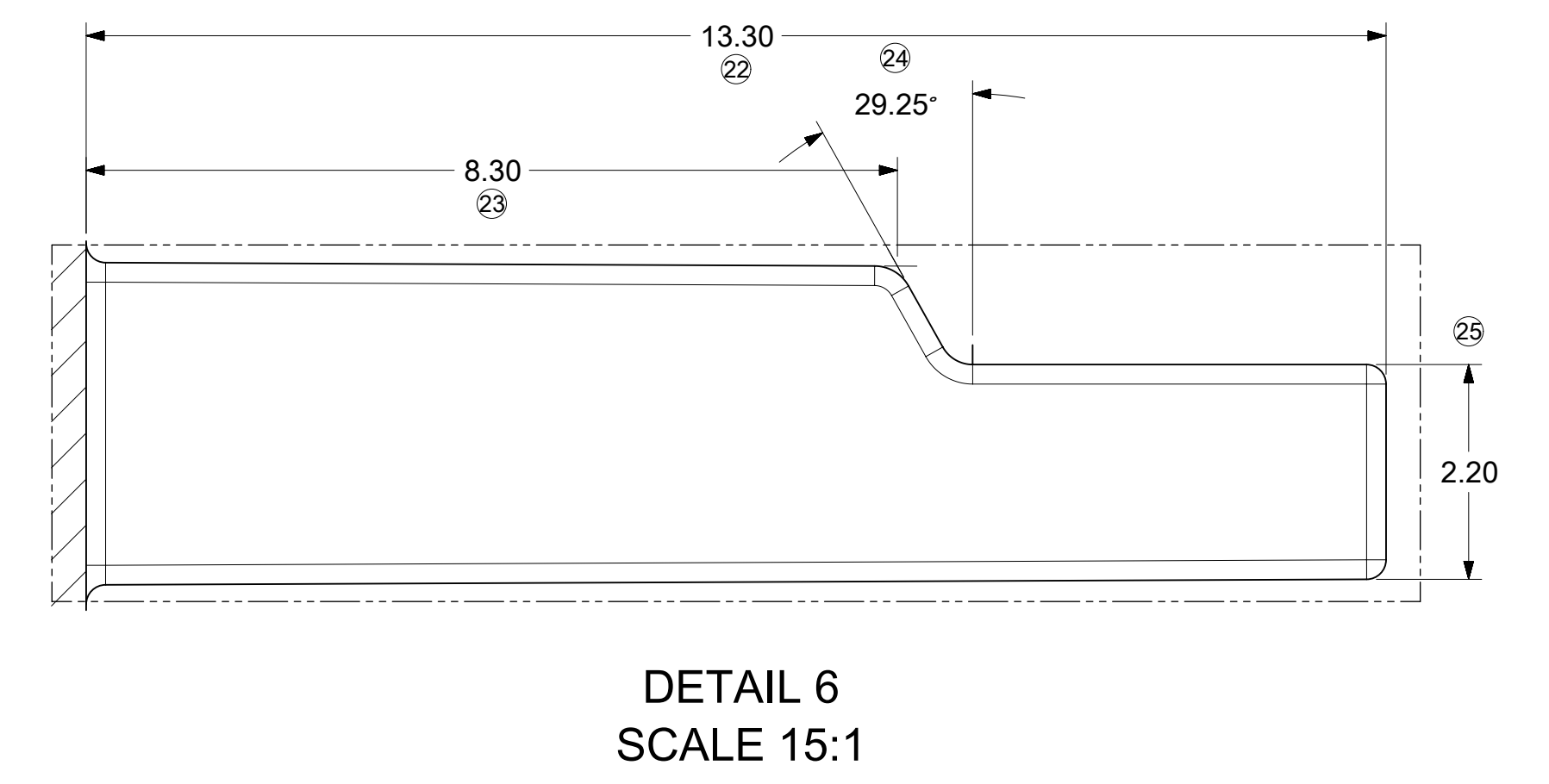
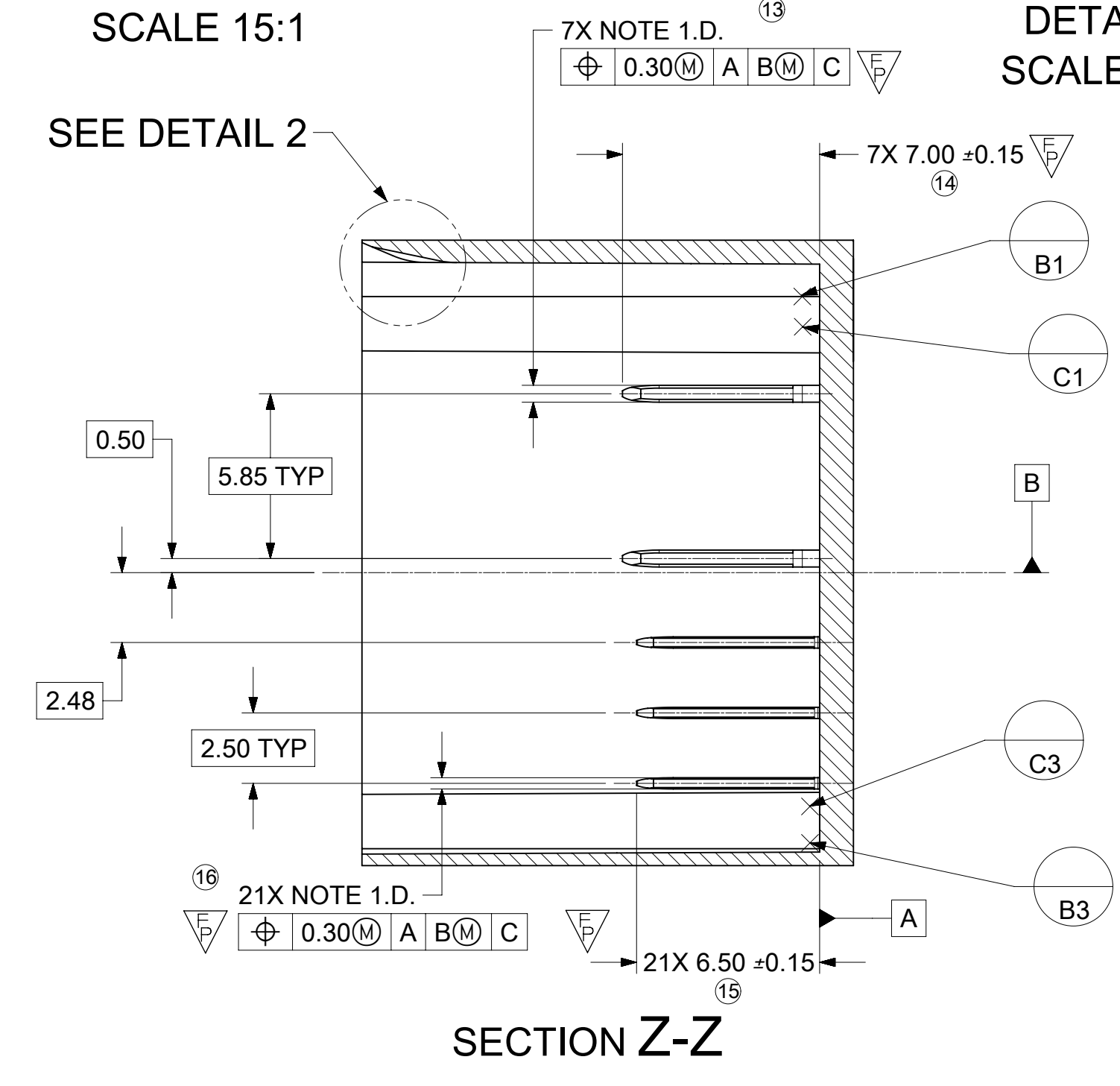
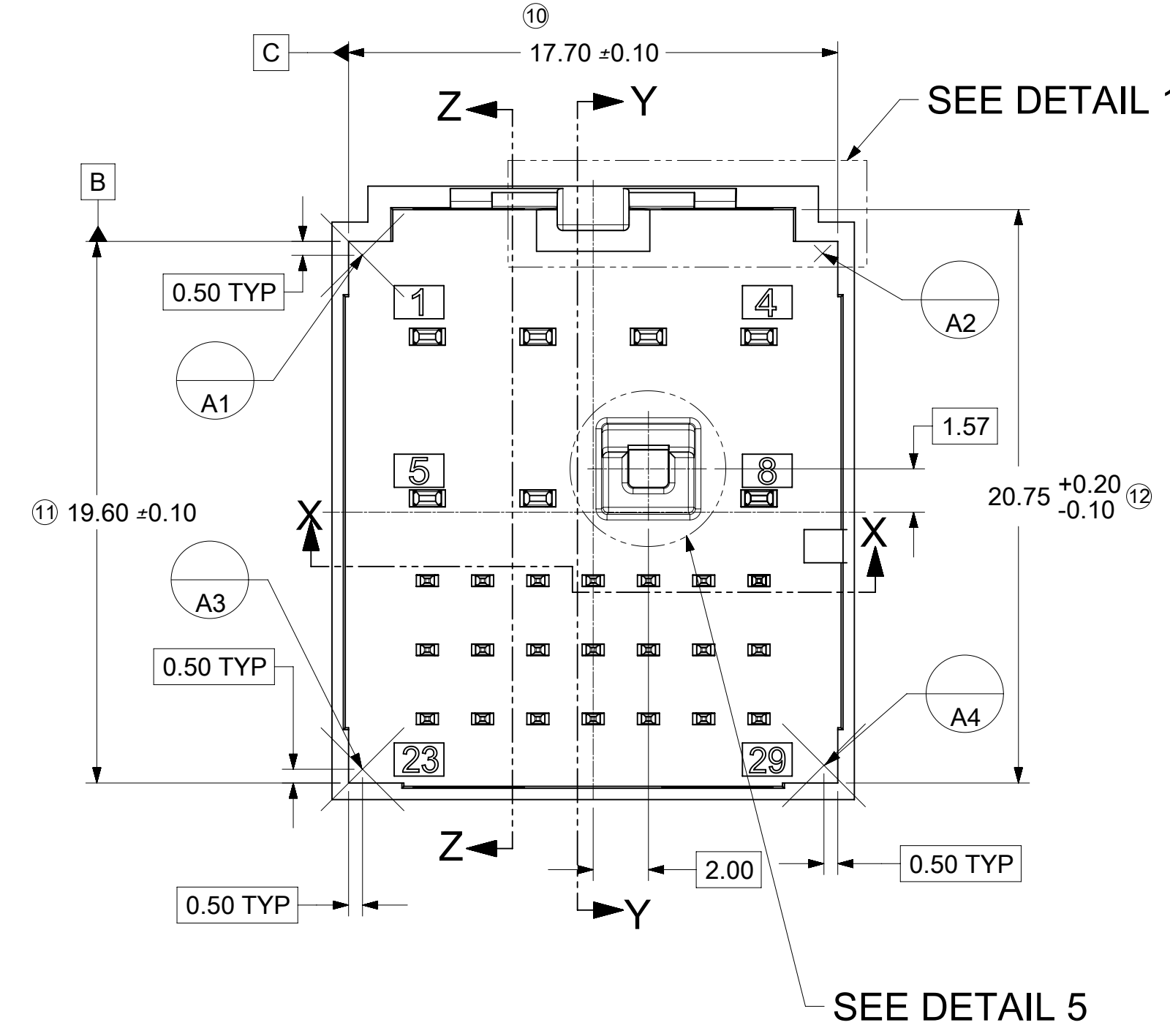
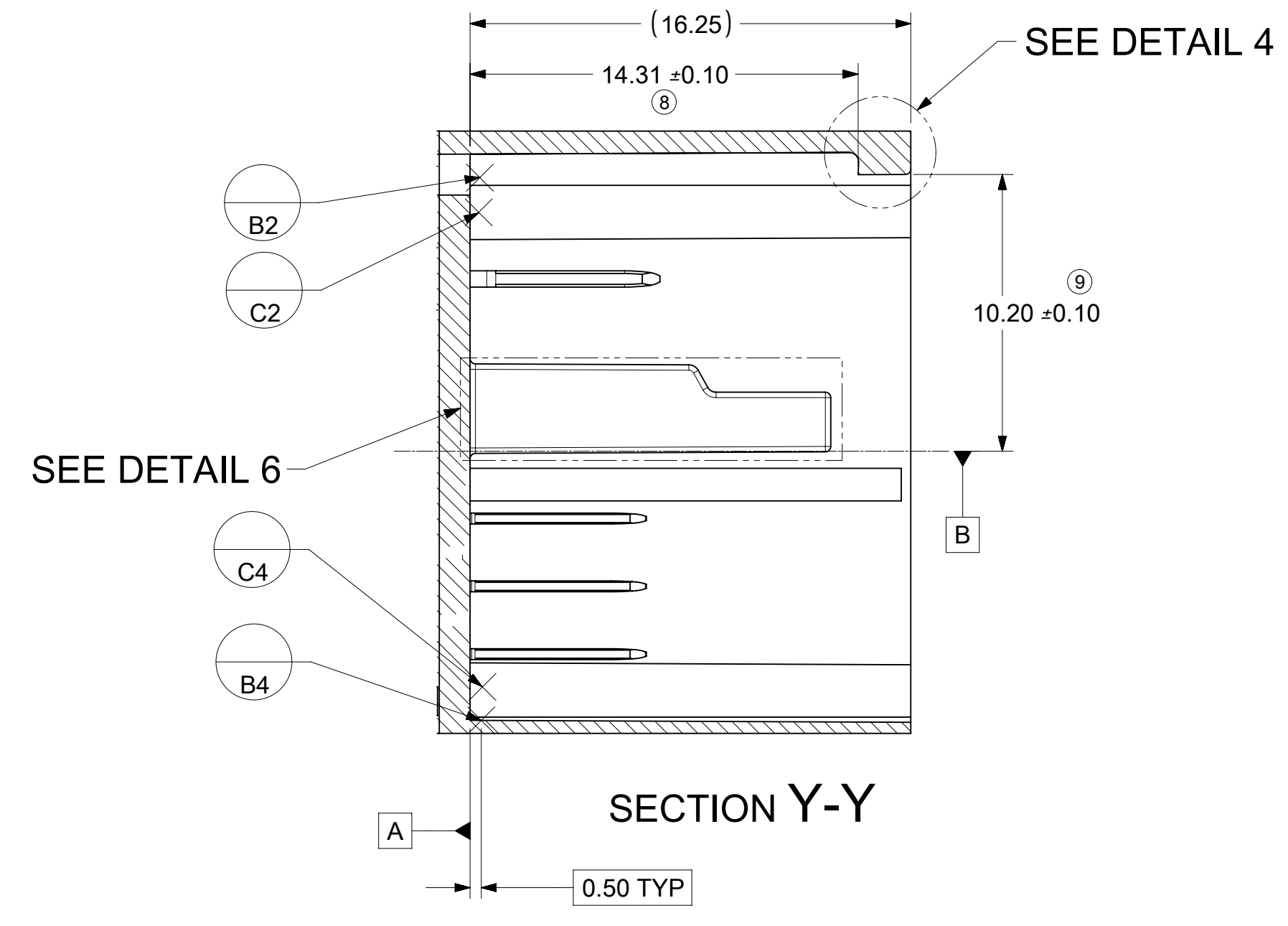
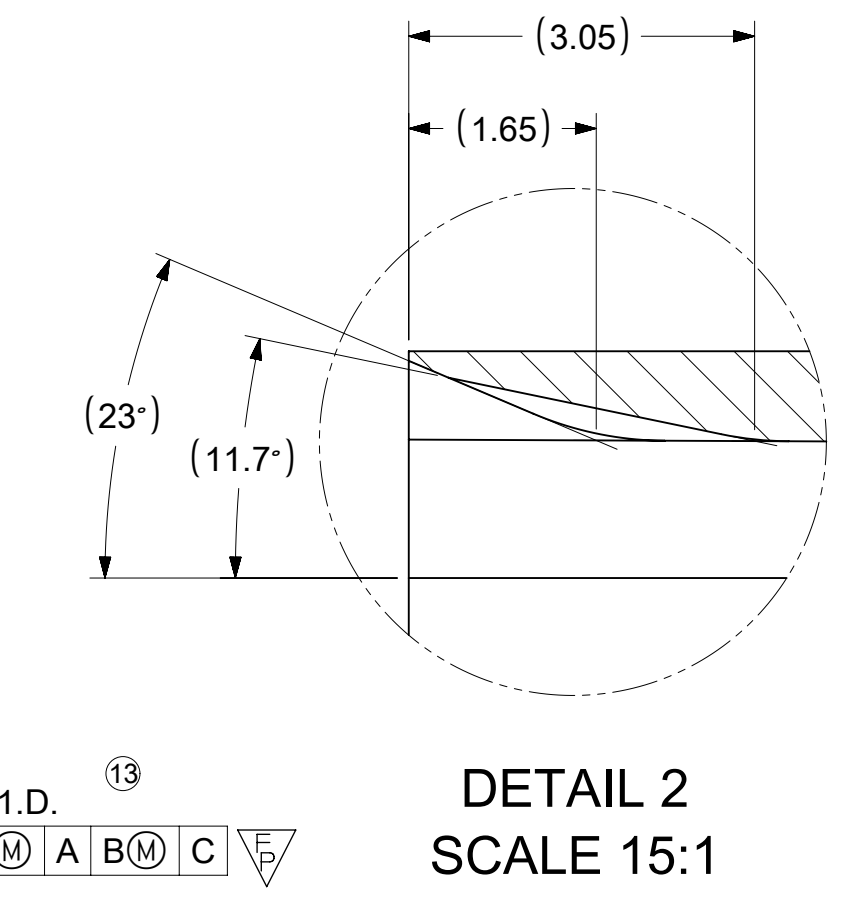
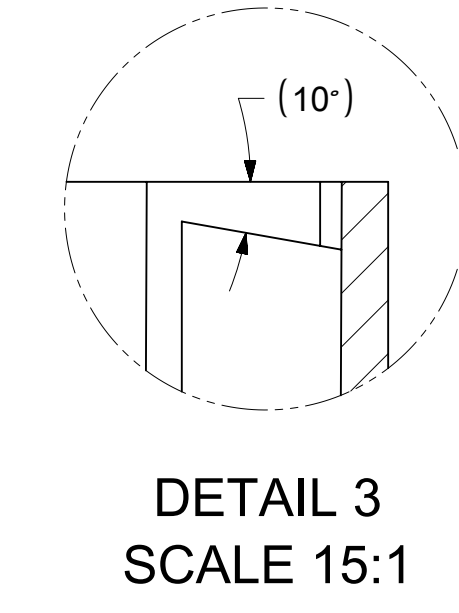
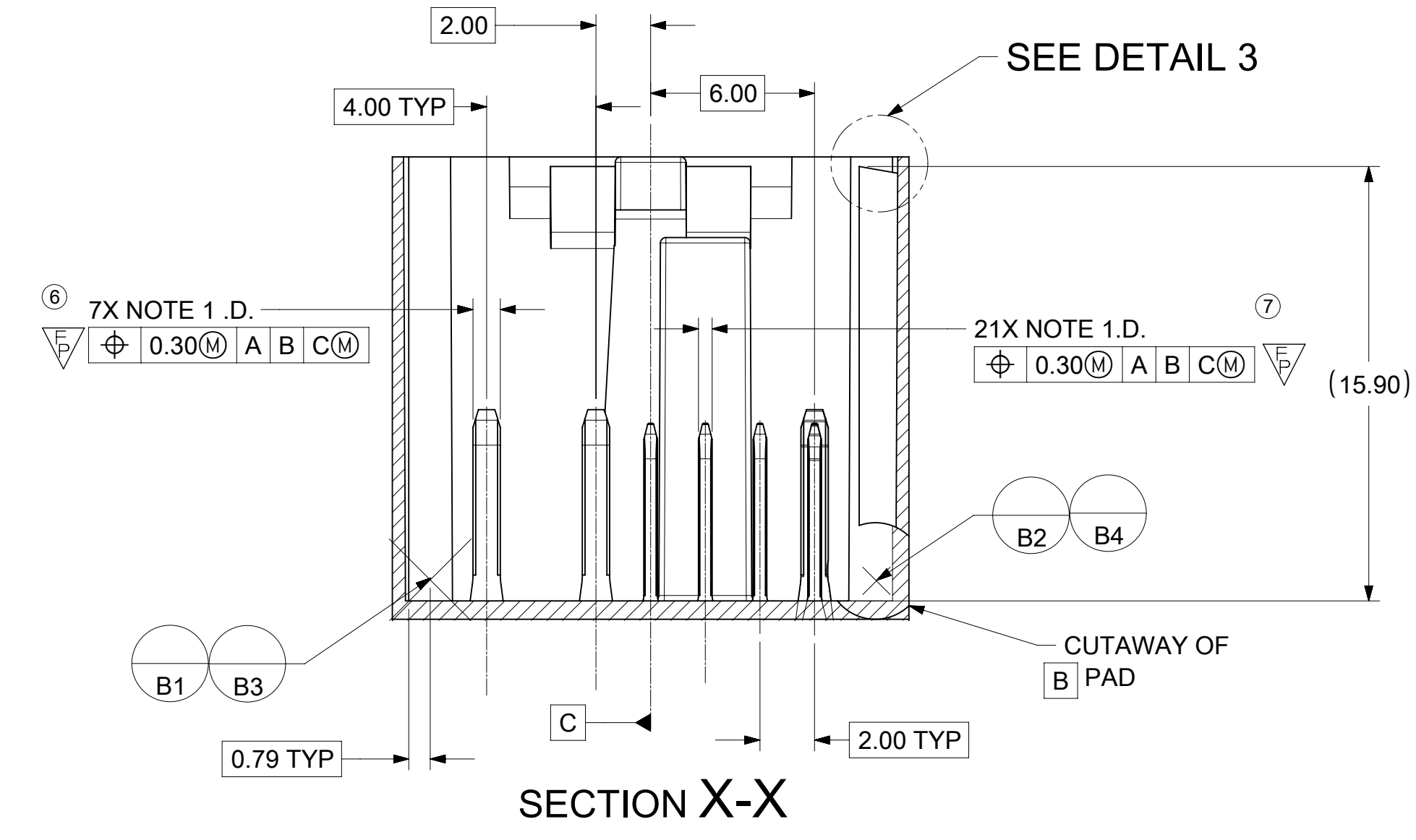
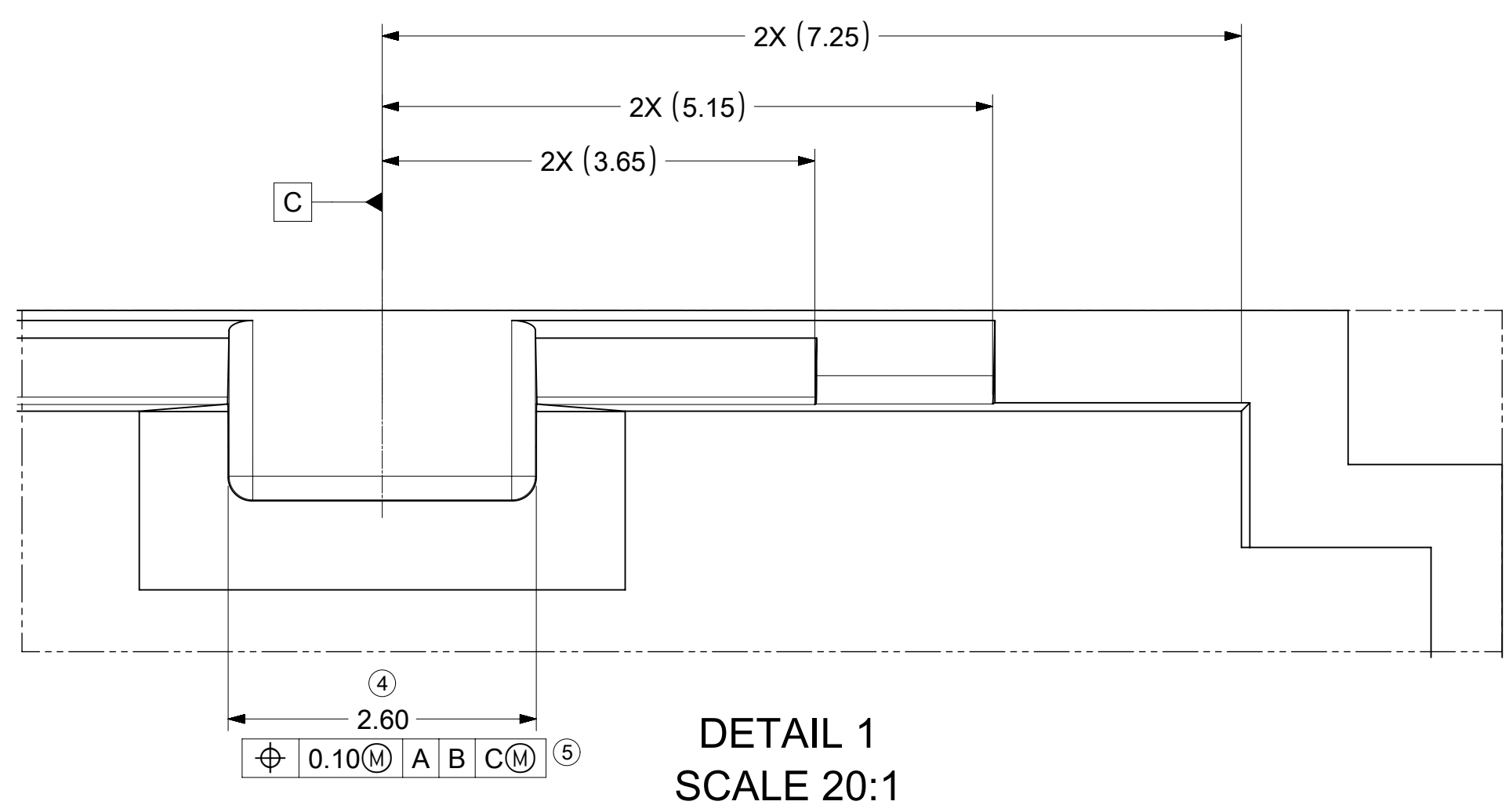
INTERFACE KEY #4
MATING CONNECTOR COLOR; BLACK



- NOTES: VALID UNLESS OTHERWISE SPECIFIED
- DESIGN - MATERIALS:
 - RESIN MATERIAL: PBT+GF30 OR SPS+GF30 OR EQUIVALENT
 - PIN/BLADE MATERIAL: ACCORDING TO USCAR DRAWING EWCAP-001 NOTE B2.
 - PLATING: ACCORDING TO USCAR DRAWING EWCAP-001 TIN REFLOW WITH UNDERPLATE.
 - PIN GEOMETRY ACCORDING TO USCAR DRAWING EWCAP-001 (120-T002 & 050-T001)
 - DEVIATION TO EWCAP-001 ACCEPTABLE IF PERFORMANCE (ELECTRICAL/MECHANICAL) IS SHOWN TO BE EQUAL OR BETTER AS REQUIRED BY VALIDATION TESTING.
 - DESIGN - GEOMETRY:
 - ALL GRAPHIC DATA IS BASIC (NO TOLERANCE) AND MUST BE TAKEN FROM THE DATA FILE AT ITS LATEST REVISION.
 - PRODUCT DESIGN MODEL NUMBER(S): SEE BOM TABLE
 - GEOMETRIC DIMENSIONS AND TOLERANCES PER ASME Y14.5M-2009
 - GENERAL TOLERANCES:
 - LINEAR: PER DIN 16901 LINEAR CODE B FOR PRECISION ENGINEERING
 - ANGULAR: ± 3°
 - EDGES AND UNDIMENSIONED DETAILS PER ISO13715
 - CORNERS SHOWN AS SHARP TO BE R 0.2 MAX.
 - CIRCUIT LOCATION #7 VOIDED FOR 28WAY INTERFACE
 - DESIGN - MANUFACTURING:
 - DRAFT TO BE WITHIN TOLERANCE.

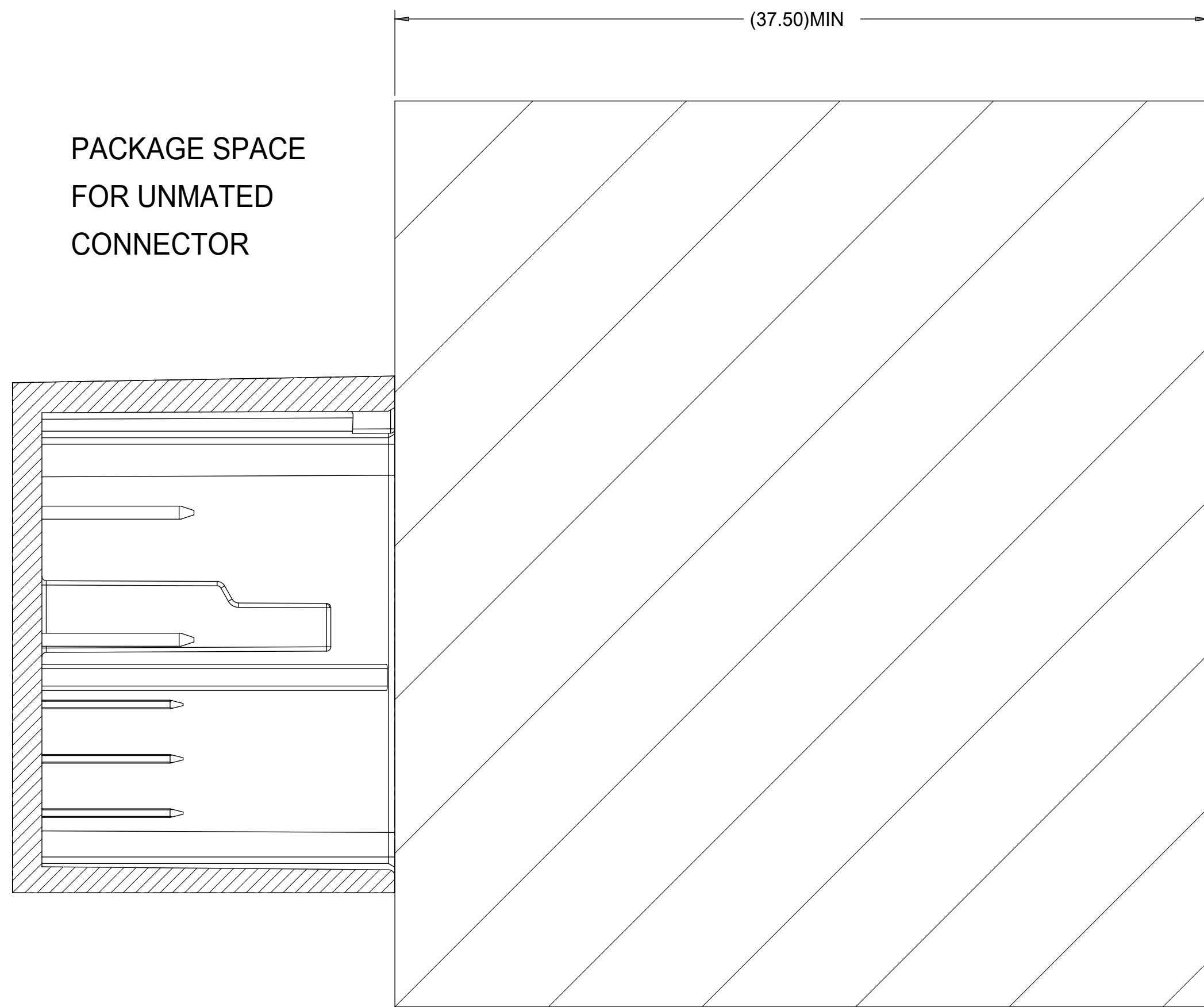
B1	ADDED BALLOONS JCONDON 07/31/2018
B	REMOVED 0.2MM FROM CONNECTOR LOCK TAB FEATURE
A3	NOTE 1.E. ADDED JCONDON 11/13/2017
A2	NX-REMASTERING SAP # 10867412
A1	UAU2016-1133 SAP # 10762453 JCONDON 02/02/2016
A	UAU2015-1973 SAP # 10701371 JCONDON 06/30/2015
6	UAU2015-1446 SAP # 10681629 JCONDON 03/25/2015
5	UAU2015-1212 SAP # 10674908 JCONDON 02/06/2015
4	UAU2015-0634 SAP # 10661788 JCONDON 10/22/2014
3	UAU2014-1679 SAP # XXXXXXXX BSCUDDER 04/28/2014
2	UAU2014-1221 SAP # XXXXXXXX MYOUNG01 01/21/2014
1	UAU2014-0715 SAP # XXXXXXXX MYOUNG01 11/14/2013
REV	DESCRIPTION

SYMBOLS	THIS DRAWING CONTAINS INFORMATION THAT IS PROPRIETARY TO MOLEX ELECTRONIC TECHNOLOGIES, LLC AND SHOULD NOT BE USED WITHOUT WRITTEN PERMISSION		CURRENT REV DESC: ADD DIMENSION BALLOONS		molex
	DIMENSION UNITS	SCALE			
▽ = 0	mm	5:1			28WAY STAK50H INTERFACE DRAWING
▽ = 0	GENERAL TOLERANCES (UNLESS SPECIFIED)				
▽ = 0	ANGULAR TOL ± °		EC NO: 602204		PRODUCT CUSTOMER DRAWING
▽ = 0	4 PLACES		DRWN: JCONDON 2018/07/31		
▽ = 0	3 PLACES		CHK'D: JCONDON 2018/08/03		DOCUMENT NUMBER DOC TYPE DOC PART REVISION
▽ = 0	2 PLACES		APPR: MVANSLAMBROU 2018/08/03		
▽ = 0	1 PLACE		INITIAL REVISION:		SD-160014-002
▽ = 0	0 PLACES		DRWN: MYOUNG01 2013/11/14		
▽ = 0	DRAFT WHERE APPLICABLE MUST REMAIN WITHIN DIMENSIONS		APPR: KDEKOSKI 2014/01/02		PSD 001 B1
▽ = 0	THIRD ANGLE PROJECTION		DRAWING SERIES		
			D-SIZE 160014		GENERAL MARKET
			MATERIAL NUMBER CUSTOMER SHEET NUMBER		
					1 OF 3

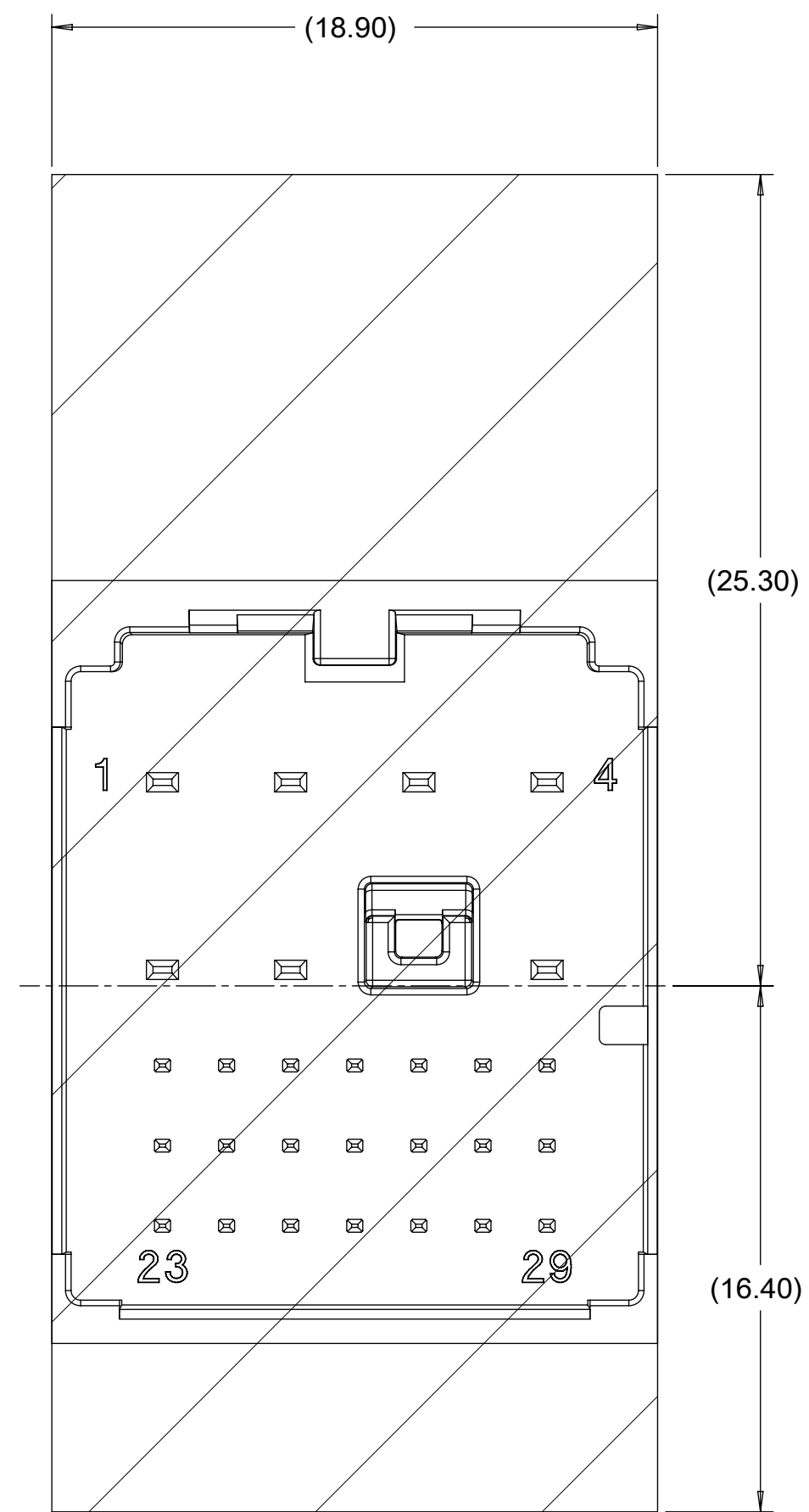


SYMBOLS	THIS DRAWING CONTAINS INFORMATION THAT IS PROPRIETARY TO MOLEX ELECTRONIC TECHNOLOGIES, LLC AND SHOULD NOT BE USED WITHOUT WRITTEN PERMISSION		CURRENT REV DESC: ADD DIMENSION BALLOONS		molex		
	DIMENSION UNITS	SCALE					
▽ = 0	mm	5:1	EC NO: 602204		28WAY STAK50H INTERFACE DRAWING		
▽ = 0	GENERAL TOLERANCES (UNLESS SPECIFIED)		DRWN: JCONDON 2018/07/31		PRODUCT CUSTOMER DRAWING		
▽ = 0	ANGULAR TOL ± °		CHK'D: JCONDON 2018/08/03		DOCUMENT NUMBER		
▽ = 0	4 PLACES ±		APPR: MVANSLAMBROU 2018/08/03		DOC TYPE DOC PART REVISION		
▽ = 0	3 PLACES ±		INITIAL REVISION:		SD-160014-002 PSD 001 B1		
▽ = 0	2 PLACES ±		DRWN: MYOUNG01 2013/11/14		MATERIAL NUMBER		
▽ = 0	1 PLACES ±		APPR: KDEKOSKI 2014/01/02		CUSTOMER		
▽ = 0	0 PLACES ±		DRAFT WHERE APPLICABLE MUST REMAIN WITHIN DIMENSIONS		SHEET NUMBER		
▽ = 0	THIRD ANGLE PROJECTION		DRAWING		GENERAL MARKET		
▽ = 0	D-SIZE		SERIES		2 OF 3		
▽ = 0	160014						

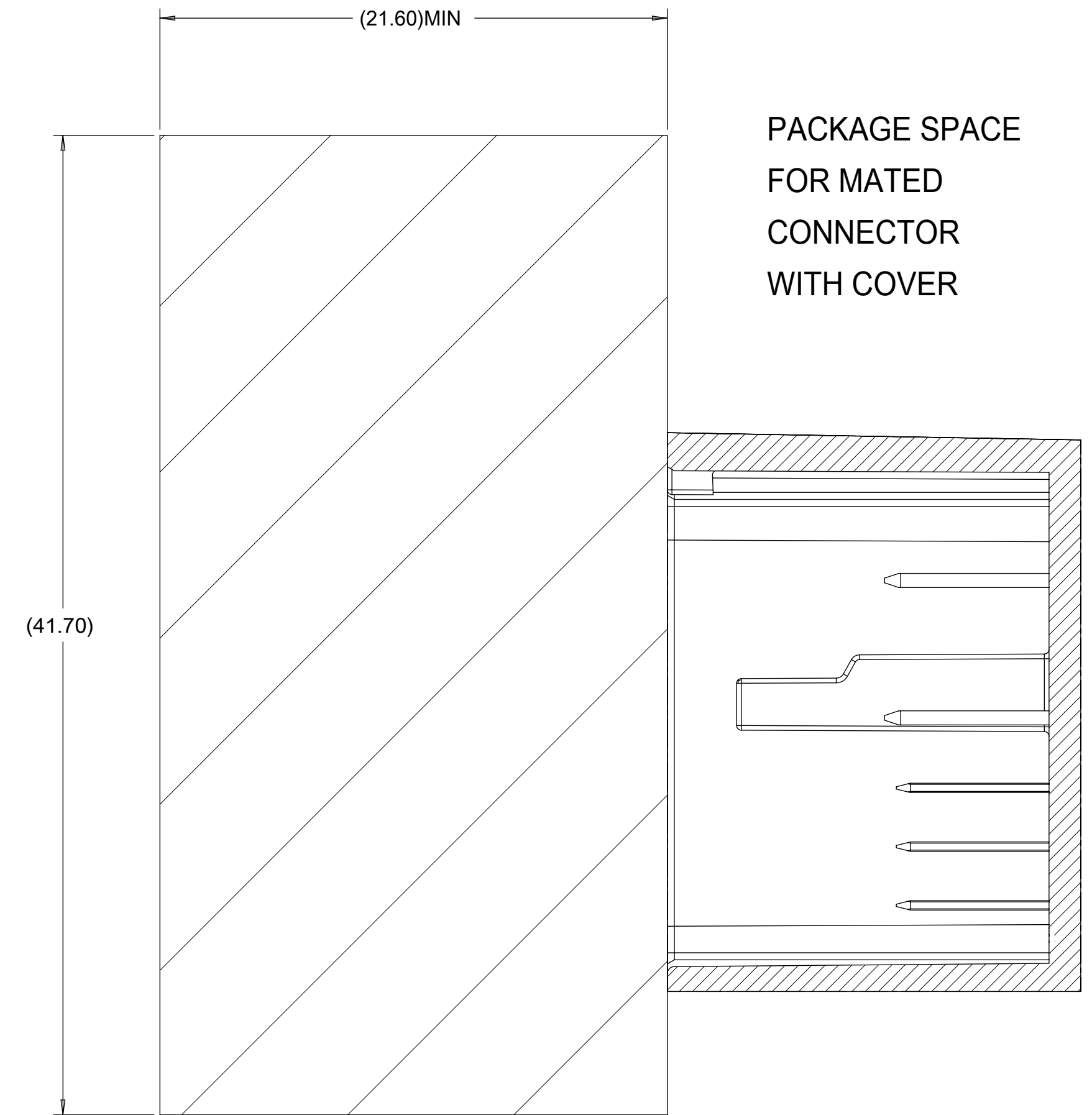
PACKAGE SPACE
FOR UNMATED
CONNECTOR



PACKAGE SPACE
FOR CONNECTOR



PACKAGE SPACE
FOR MATED
CONNECTOR
WITH COVER



SYMBOLS	THIS DRAWING CONTAINS INFORMATION THAT IS PROPRIETARY TO MOLEX ELECTRONIC TECHNOLOGIES, LLC AND SHOULD NOT BE USED WITHOUT WRITTEN PERMISSION		
	DIMENSION UNITS	SCALE	CURRENT REV DESC: ADD DIMENSION BALLOONS
▽ = 0	mm	5:1	
▽ = 0	GENERAL TOLERANCES (UNLESS SPECIFIED)		
▽ = 0	ANGULAR TOL ± °		
▽ = 0	4 PLACES		EC NO: 602204
▽ = 0	3 PLACES		DRWN: JCONDON 2018/07/31
▽ = 0	2 PLACES		CHK'D: JCONDON 2018/08/03
▽ = 0	1 PLACE		APPR: MVANSLAMBROU 2018/08/03
□ = 0	0 PLACES		INITIAL REVISION:
■ = 0	DRAFT WHERE APPLICABLE MUST REMAIN WITHIN DIMENSIONS		DRWN: MYOUNG01 2013/11/14
▽ = 0	THIRD ANGLE PROJECTION		APPR: KDEKOSKI 2014/01/02
		DRAWING	SERIES
		D-SIZE	160014
DOCUMENT STATUS		DOCUMENT NUMBER	DOC TYPE
P1	RELEASE DATE	SD-160014-002	PSD
2018/08/03	19:41:28	001	B1
		CUSTOMER	SHEET NUMBER
		GENERAL MARKET	3 OF 3

molex

28WAY STAK50H
INTERFACE DRAWING

PRODUCT CUSTOMER DRAWING

DOCUMENT NUMBER DOC TYPE DOC PART REVISION

SD-160014-002 PSD 001 B1

MATERIAL NUMBER CUSTOMER SHEET NUMBER

GENERAL MARKET 3 OF 3