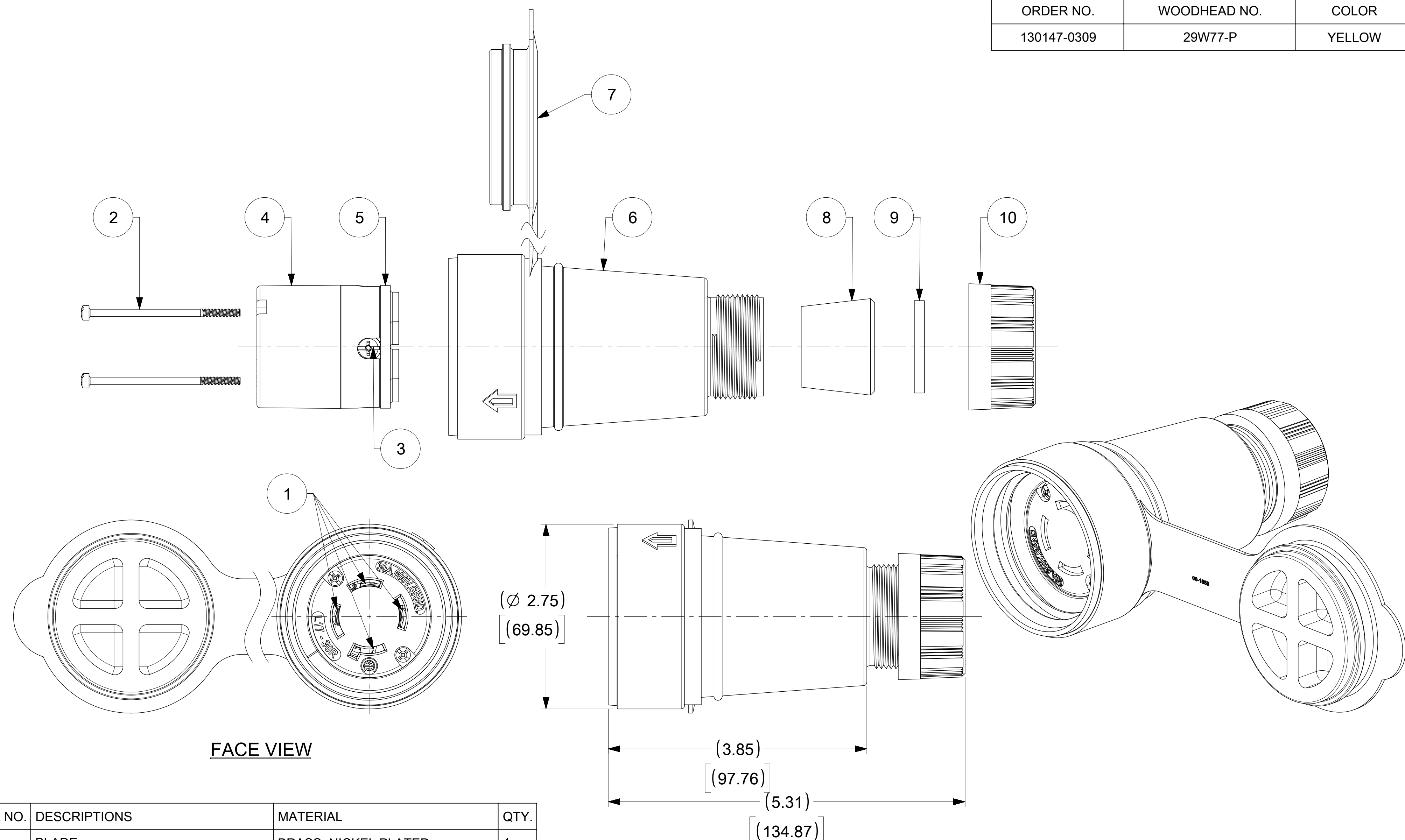


ORDER NO.	WOODHEAD NO.	COLOR
130147-0309	29W77-P	YELLOW



FACE VIEW

ITEM NO.	DESCRIPTIONS	MATERIAL	QTY.
1	BLADE	BRASS, NICKEL PLATED	4
2	RETAINING SCREWS	STAINLESS STEEL	2
3	CLAMP AND TERMINAL SCREW ASSY	BRASS, ZINC PLATED	4
4	INSERT	NYLON	1
5	TERMINAL COVER	POLYCARBONATE	1
6	HOUSING	SILICON WITH NYLON THREAD	1
7	COVER CLOSURE	SILICON WITH NYLON THREAD	1
8	GROMMET	RUBBER	4
9	FRICTION RING	NYLON	1
10	COMPRESSION NUT	NYLON	1

SYMBOLS		THIS DRAWING CONTAINS INFORMATION THAT IS PROPRIETARY TO MOLEX ELECTRONIC TECHNOLOGIES, LLC AND SHOULD NOT BE USED WITHOUT WRITTEN PERMISSION	
▽ = 0	INCH[MM]	SCALE	CURRENT REV DESC: RELEASED
▽ = 0	NTS		
▽ = 0	GENERAL TOLERANCES (UNLESS SPECIFIED)		
▽ = 0	4 PLACES	±	EC NO: 614387
▽ = 0	3 PLACES	±	DRWN: DSOPPIN 2019/01/04
▽ = 0	2 PLACES	±	CHK'D: DNGUYEN62 2019/04/17
▽ = 0	1 PLACE	±	APPR: HKNEELAND 2019/04/26
▽ = 0	0 PLACES	±	INITIAL REVISION:
▽ = 0	ANGULAR TOL	± °	DRWN: DSOPPIN 2019/01/04
▽ = 0	DRAFT WHERE APPLICABLE MUST REMAIN WITHIN DIMENSIONS	THIRD ANGLE PROJECTION	APPR: HKNEELAND 2019/04/26
		DRAWING	SERIES
		C-SIZE	130147



WATERTITE CONNECTOR 3P4W L17-30

PRODUCT CUSTOMER DRAWING

DOCUMENT NUMBER	DOC TYPE	DOC PART	REVISION
1301470309	PSD	000	A
MATERIAL NUMBER	CUSTOMER	SHEET NUMBER	
SEE TABLE	GENERAL MARKET	1 OF 1	