

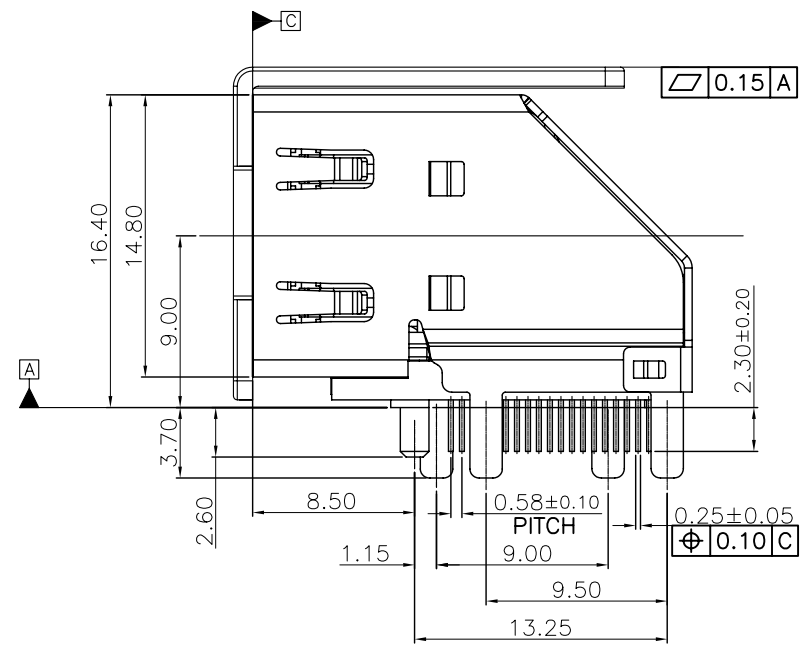
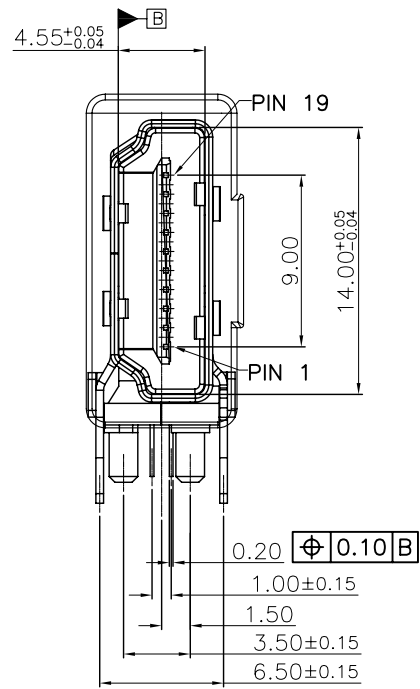
- NOTES:
- MATERIAL:
    - SHELL: STAINLESS STEEL
    - INSERT-MOLD HOUSING: THERMOPLASTIC UL 94V-0.
    - CONTACT: COPPER ALLOY
  - PLATING:
 

TERMINAL:

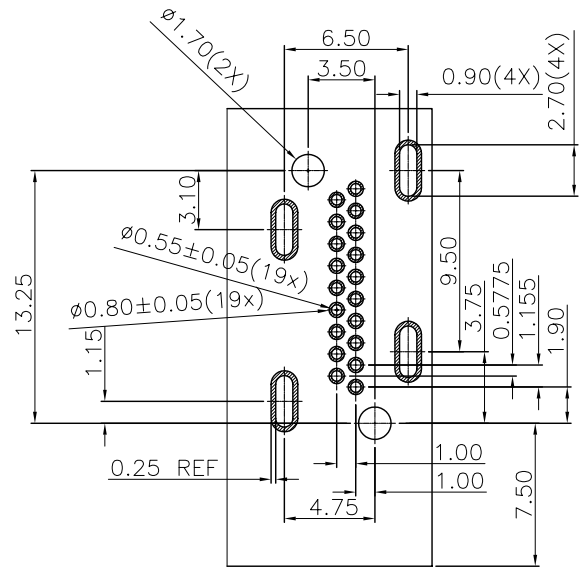
CONTACT AREA:GOLD PLATING,DETAIL SEE TABLE  
 SOLDER AREA:2.54 MICRON MIN. TIN PLATING.  
 UNDERPLATE:1.27 MICRON MIN. NICKEL PLATING OVERALL.

SHELL:

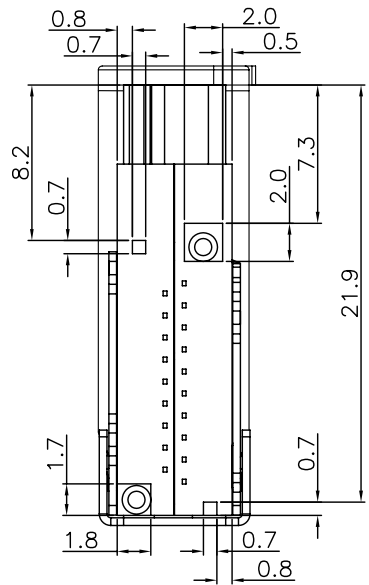
1.27 MICRON MIN. SOLDERABLE NICKEL PLATING OVERALL.
  - DATE CODE:YYMMDD. "YY" REPRESENTS YEAR, "MM" REPRESENTS MONTH,"DD" REPRESENTS DATE.
  - PRODUCT SPECIFICATION REFER TO PS-105089-001.
  - PACKAGE REFER TO PK-105089-003.
  - THE PRODUCT COMPLIANT TO RoHS DIRECTIVE 2002/95/EC AND ELV DIRECTIVE2000/53/EC.



105089-3002	0.76MICRON MIN.GOLD PLATING
P/N	CONTACT AREA PLATING



RECOMMENDED PCB LAYOUT THICKNESS:1.60±0.05  
(TOLERANCE=±0.05mm)



OBS part number EC NO: SH2013-0328 DRWN: Andy 2013/03/28 CHK'D: Daniel 2013/03/28 APPR: Daniel 2013/03/28	QUALITY SYMBOLS $F_A = 0$ $F_C = 0$ $F_D = 0$	GENERAL TOLERANCES (UNLESS SPECIFIED)		DIMENSION STYLE	SCALE	DESIGN UNITS	THIRD ANGLE PROJECTION			
			mm	INCH	MM ONLY	1:1	METRIC			
		4 PLACES	± ---	± ---	DRAWN BY	DATE	TITLE			
		3 PLACES	± ---	± ---	Andy	2012/02/13				
	2 PLACES	± 0.20	± ---	CHECKED BY	DATE	HDMI UP-RIGHT RECEPTACLE CONNECTOR				
	1 PLACE	± 0.25	± ---	Daniel	2012/02/13					
	ANGULAR ± 3°		APPROVED BY		DATE	MOLEX INCORPORATED DOCUMENT NO. SD-105089-300 SHEET NO. 1 OF 1				
	DRAFT WHERE APPLICABLE MUST REMAIN WITHIN DIMENSIONS		Daniel		2012/02/13					
			MATERIAL NO.		SEE TABLE	THIS DRAWING CONTAINS INFORMATION THAT IS PROPRIETARY TO MOLEX INCORPORATED AND SHOULD NOT BE USED WITHOUT WRITTEN PERMISSION				
			SIZE	A3						