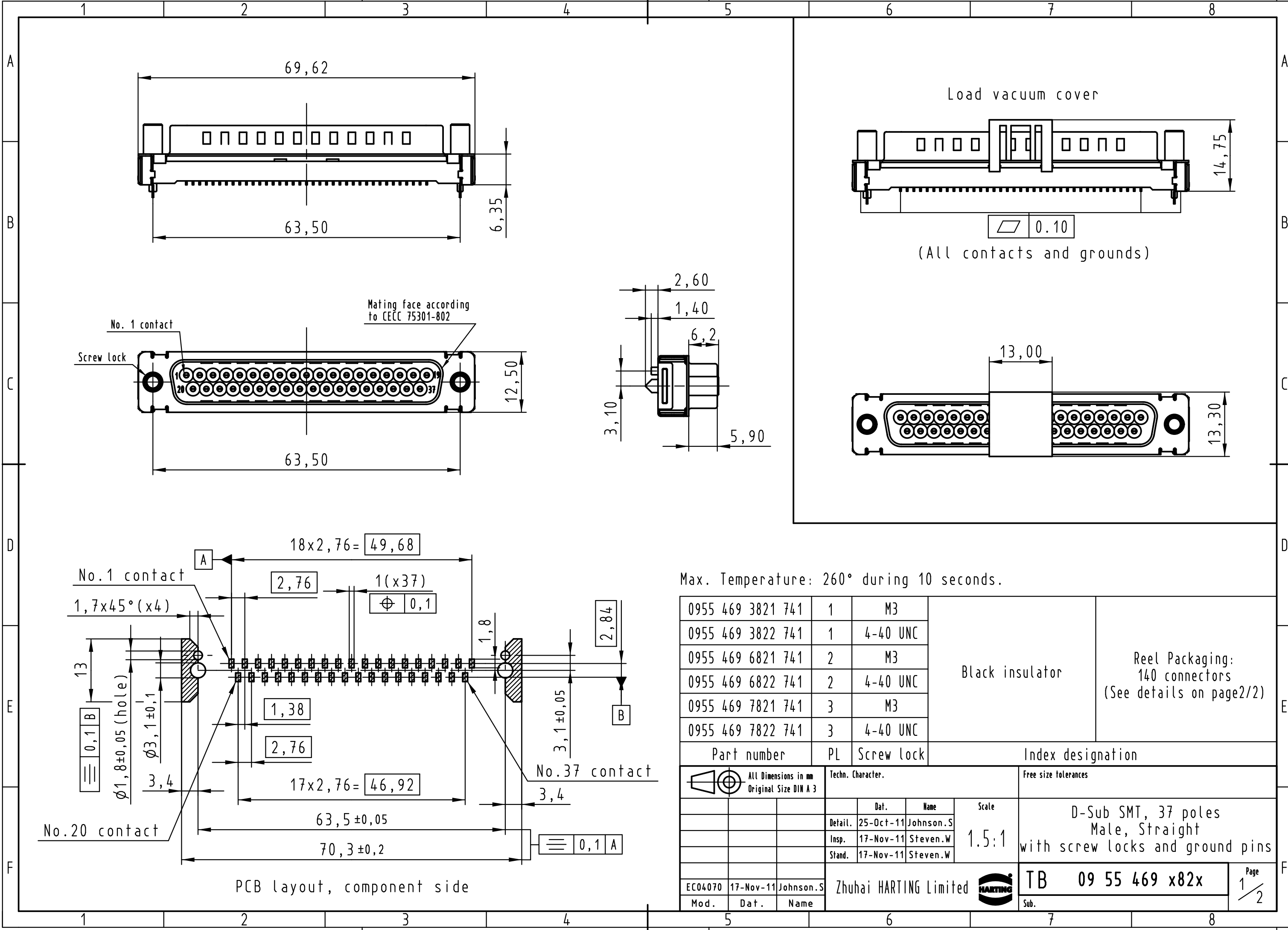
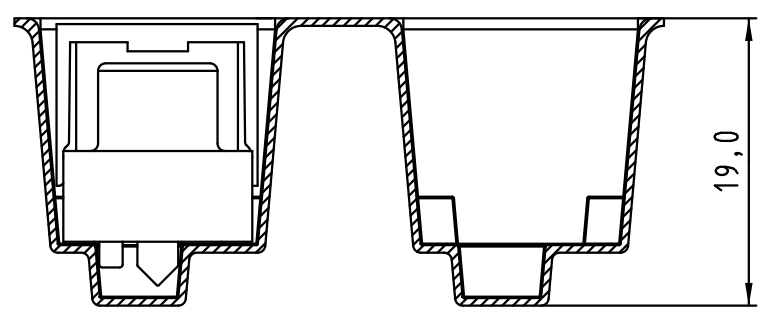


All rights reserved

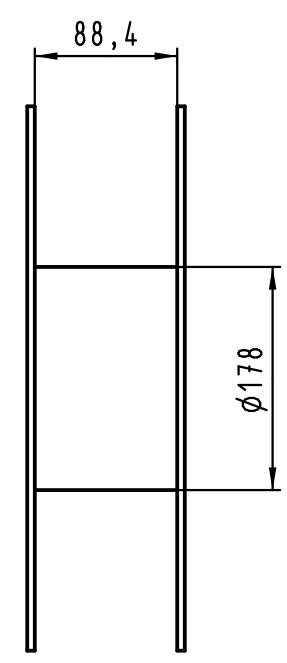
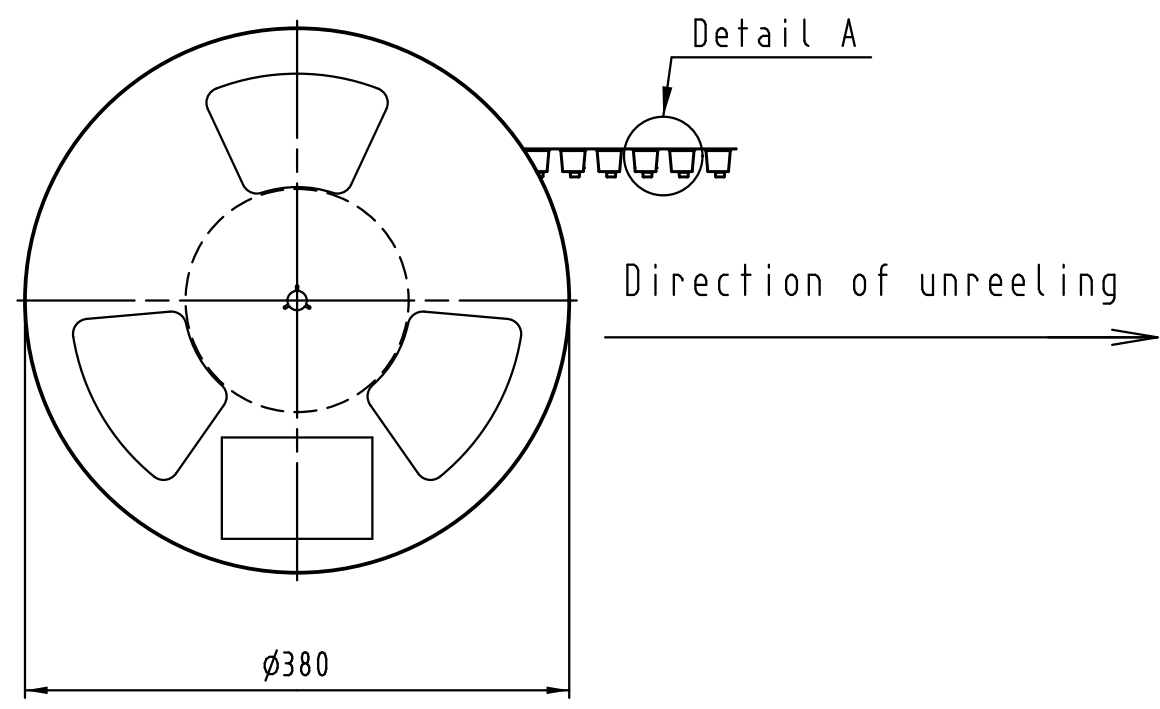
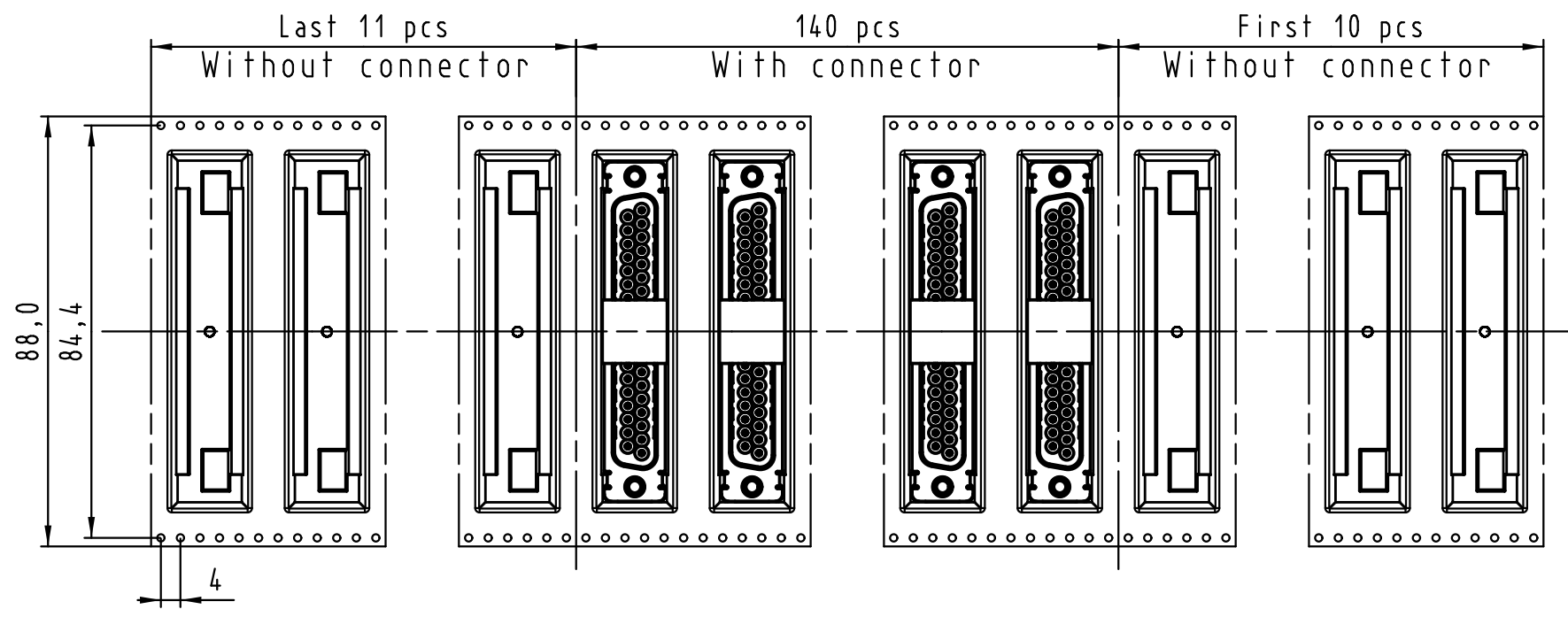


Max. Temperature: 260° during 10 seconds.

0955 469 3821 741	1	M3	Black insulator	Reel Packaging: 140 connectors (See details on page 2/2)												
0955 469 3822 741	1	4-40 UNC														
0955 469 6821 741	2	M3														
0955 469 6822 741	2	4-40 UNC														
0955 469 7821 741	3	M3														
0955 469 7822 741	3	4-40 UNC														
Part number	PL	Screw lock	Index designation													
			Free size tolerances													
<table border="1"> <tr> <th colspan="2">Techn. Character.</th> <th rowspan="4">Scale 1.5:1</th> </tr> <tr> <td>Dat.</td> <td>Name</td> </tr> <tr> <td>Detail.</td> <td>25-Oct-11 Johnson.S</td> </tr> <tr> <td>Insp.</td> <td>17-Nov-11 Steven.W</td> </tr> <tr> <td>Stand.</td> <td>17-Nov-11 Steven.W</td> <td></td> </tr> </table>			Techn. Character.		Scale 1.5:1	Dat.	Name	Detail.	25-Oct-11 Johnson.S	Insp.	17-Nov-11 Steven.W	Stand.	17-Nov-11 Steven.W		D-Sub SMT, 37 poles Male, Straight with screw locks and ground pins	
Techn. Character.		Scale 1.5:1														
Dat.	Name															
Detail.	25-Oct-11 Johnson.S															
Insp.	17-Nov-11 Steven.W															
Stand.	17-Nov-11 Steven.W															
EC04070 Mod.	17-Nov-11 Dat.	Johnson.S Name	Zhuhai HARTING Limited 	TB 09 55 469 x82x Sub.	Page 1/2											



Detail A



See TB 09 55 469 x82x folio 1/2 for connector dimensions and PCB layout

Packaging in accordance with EIA 481-2.

0955 469 3821 741	1	M3	Black insulator	Reel Packaging: 140 connectors
0955 469 3822 741	1	4-40 UNC		
0955 469 6821 741	2	M3		
0955 469 6822 741	2	4-40 UNC		
0955 469 7821 741	3	M3		
0955 469 7822 741	3	4-40 UNC		
Part number	PL	Screw lock	Index designation	

All Dimensions in mm Original Size DIN A 3			Techn. Character.			Free size tolerances			
				Dat.	Name	D-Sub SMT, 37 poles Male, Straight with screw locks and ground pins			
				Detail.	25-Oct-11				Johnson.S
				Insp.	17-Nov-11				Steven.W
				Stand.	17-Nov-11				Steven.W
EC04070	17-Nov-11	Johnson.S	Zhuhai HARTING Limited			TB 09 55 469 x82x			
Mod.	Dat.	Name				Sub.			

All rights reserved