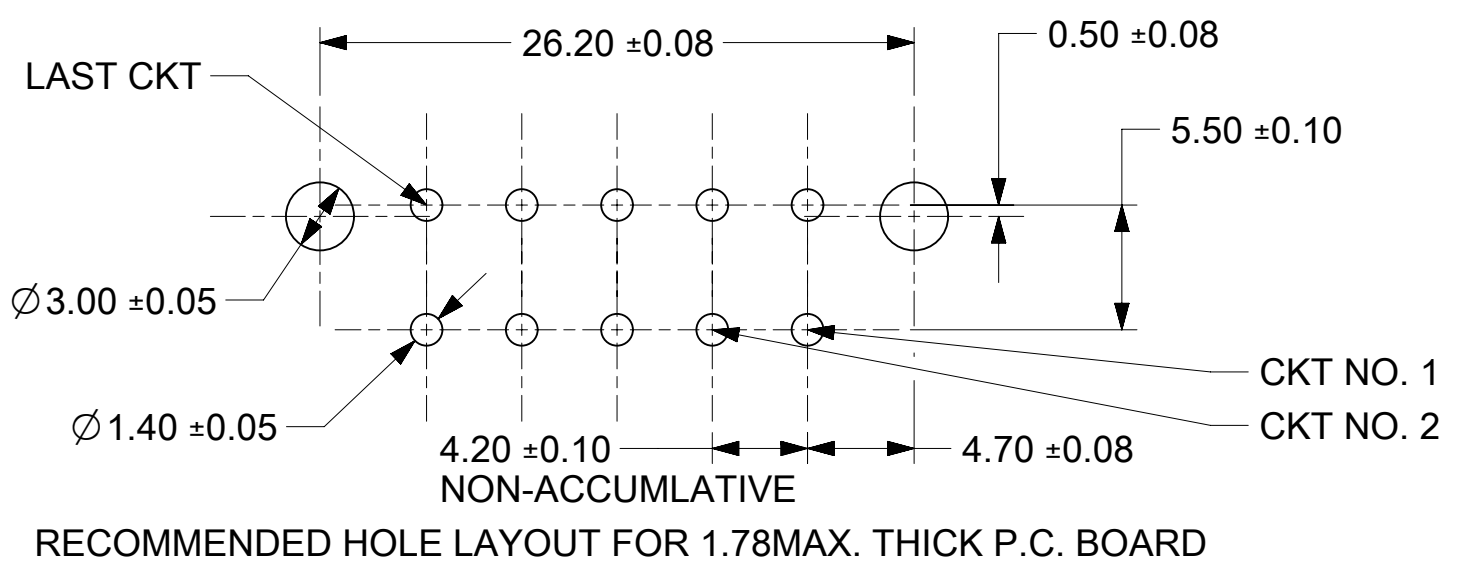


- NOTES :**
- MATERIAL:**  
 HOUSING MATERIAL:  
 1 = NYLON 6/6 , UNFILLED UL 94V-2,COLOR: NATURAL  
 2 = NYLON 6/6 , UNFILLED UL 94V-0, COLOR: NATURAL  
 TERMINALS: BRASS
  - TERMINAL PLATING:**  
 1 = BRIGHT TIN OVER NICKEL  
 2 = SELECT 30MICROINCH GOLD AND SELECT MATTE TIN OVER NICKEL  
 3 = SELECT 50MICROINCH GOLD AND SELECT MATTE TIN OVER NICKEL
  - PRODUCT SPECIFICATION :** PS-5556-002
  - PACKAGING:** SEE CHARTS
  - 6-24 CIRCUIT PARTS MATE WITH MINI-FIT JR. RECEPTACLE 5557, 42474, 44516 AND HEADERS 42385, 2 AND 4 CIRCUIT PARTS MATE WITH 42385, 44516 AND 42474 ONLY.
  - PART ALLOWS FOR UP TO .100/(2.54) MISALIGNMENT WITH MATING RECEPTACLE IN ANY DIRECTION. SEE MATING CONNECTOR DRAWINGS FOR SPECIFIC ALLOWANCES.
  - CONNECTOR IS NOT DESIGNED FOR CURRENT SHARING.
  - CONNECTOR ASSEMBLIES ARE NOT BE MATED OR UNMATED WHILE CIRCUITS ARE LIVE
  - RIB LOCATION IS DETERMINED BY MOLD DESIGN FOR MANUFACTURING EASE AND THE LOCATION DOES NOT AFFECT PART FUNCTION OR REFERORMANCE. LOCATION OF RIBS MAY VARY ON PARTS WITHIN MANUFACTURING LOT OR SHIPMENT . THIS DRAWING SHOWS TYPICAL RIB LOCATIONS.
  - PART CONFORMS TO CLASS "B" REQUIREMENTS OF COSMETIC SPECIFICATION PS-45499-002.

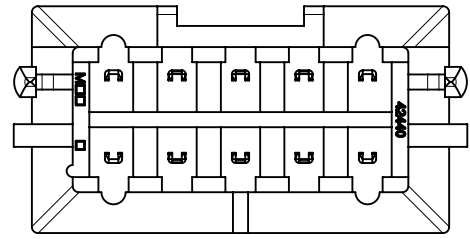


THIS DRAWING CONTAINS INFORMATION THAT IS PROPRIETARY TO MOLEX ELECTRONIC TECHNOLOGIES, LLC AND SHOULD NOT BE USED WITHOUT WRITTEN PERMISSION									
DIMENSION UNITS		SCALE		CURRENT REV DESC:				<b>molex</b>	
mm		NTS							
GENERAL TOLERANCES (UNLESS SPECIFIED)				EC NO: 691009				MINI-FIT BMI VERCITAL HEADER ASSY MFBL	
ANGULAR TOL ± 3.0°				4 PLACES ±		DRWN: HPAN18		2021/07/21	
				3 PLACES ±		CHK'D: XQZHANG		2022/01/06	
				2 PLACES ± 0.25		APPR: XQZHANG		2022/01/06	
				1 PLACE ± 0.38		INITIAL REVISION:		DOCUMENT NUMBER	
				0 PLACES ±		DRWN: HPAN18		424400003-SD	
				APPR: XQZHANG		2022/01/06		PSD 000 A	
DRAFT WHERE APPLICABLE MUST REMAIN WITHIN DIMENSIONS				THIRD ANGLE PROJECTION		DRAWING		SERIES	
				C-SIZE		42440		MATERIAL NUMBER	
				SEE NOTES		CUSTOMER		SHEET NUMBER	
				GENERAL MARKET		1 OF 2			

PLATING:	30 M.I. SELECT GOLD (SEE NOTES 2 OPTION"2")
DRAINS:	WITHOUT DRAIN HOLES
PEGS:	WITH PEGS
MAT'L:	94V-0 (NATURAL)
PACKAGING:	TRAY PER PK-42440-001

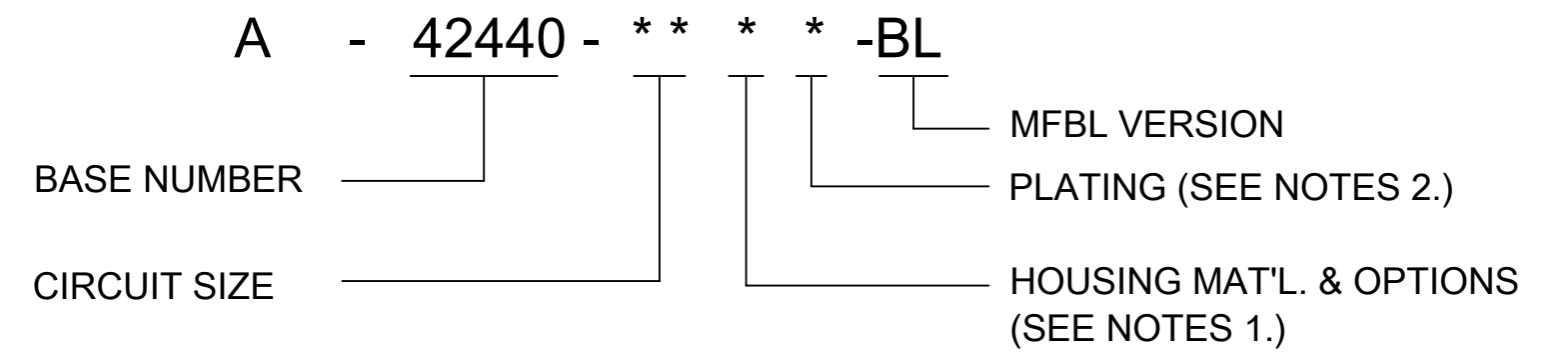
PART NO.	ENG NO.	CKTS	TERMINAL CODES VERSION REQUIRED AT EACH CIRCUIT LOCATION:									
			1	2	3	4	5	6	7	8	9	10
15-28-6310	A-42440-1022-BL	10	2	1	1	1	2	2	1	1	1	2

TERMINAL CODES		
TERMINAL TYPE	PLATING SEE NOTE2	MATERIAL
1 = STANDARD	2	BRASS
2 = MFBL	2	BRASS



10 CKT EJECTOR RIB LOCATION

### LEGEND



THIS DRAWING CONTAINS INFORMATION THAT IS PROPRIETARY TO MOLEX ELECTRONIC TECHNOLOGIES, LLC AND SHOULD NOT BE USED WITHOUT WRITTEN PERMISSION										
DIMENSION UNITS	SCALE	CURRENT REV DESC:				<b>molex</b>				
mm	NTS									
GENERAL TOLERANCES (UNLESS SPECIFIED)		EC NO: 691009				MINI-FIT BMI VERCITAL HEADER ASSY MFBL				
ANGULAR TOL	± 3.0°	DRWN: HPAN18		2021/07/21		PRODUCT CUSTOMER DRAWING				
4 PLACES	±	CHK'D: XQZHANG		2022/01/06		DOCUMENT NUMBER				
3 PLACES	±	APPR: XQZHANG		2022/01/06		424400003-SD		DOC TYPE	DOC PART	REVISION
2 PLACES	± 0.25	INITIAL REVISION:				PSD		000	A	
1 PLACE	± 0.38	DRWN: HPAN18		2021/07/21		MATERIAL NUMBER		CUSTOMER		SHEET NUMBER
0 PLACES	±	APPR: XQZHANG		2022/01/06		SEE NOTES		GENERAL MARKET		2 OF 2
DRAFT WHERE APPLICABLE MUST REMAIN WITHIN DIMENSIONS		THIRD ANGLE PROJECTION		DRAWING	SERIES	MATERIAL NUMBER		CUSTOMER		SHEET NUMBER
				C-SIZE	42440	SEE NOTES		GENERAL MARKET		2 OF 2

DOCUMENT STATUS	P1	RELEASE DATE	2022/01/06	07:09:10
-----------------	----	--------------	------------	----------