

PART NO.	ENG. NO.
02-09-2170	42138-(P90)I
02-09-2171	42138-(P90)IL
-	-
-	-
-	-

LEGEND

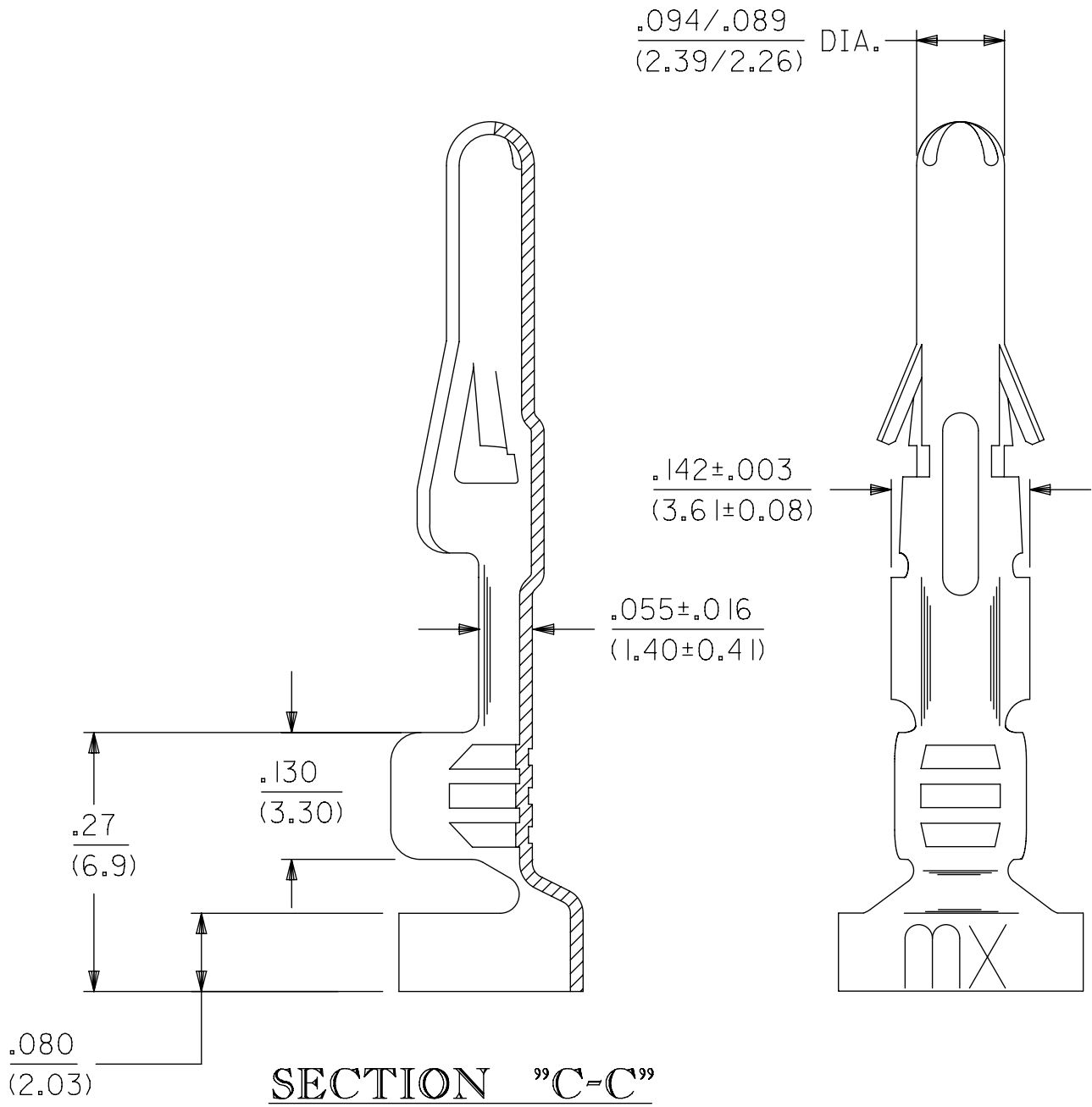
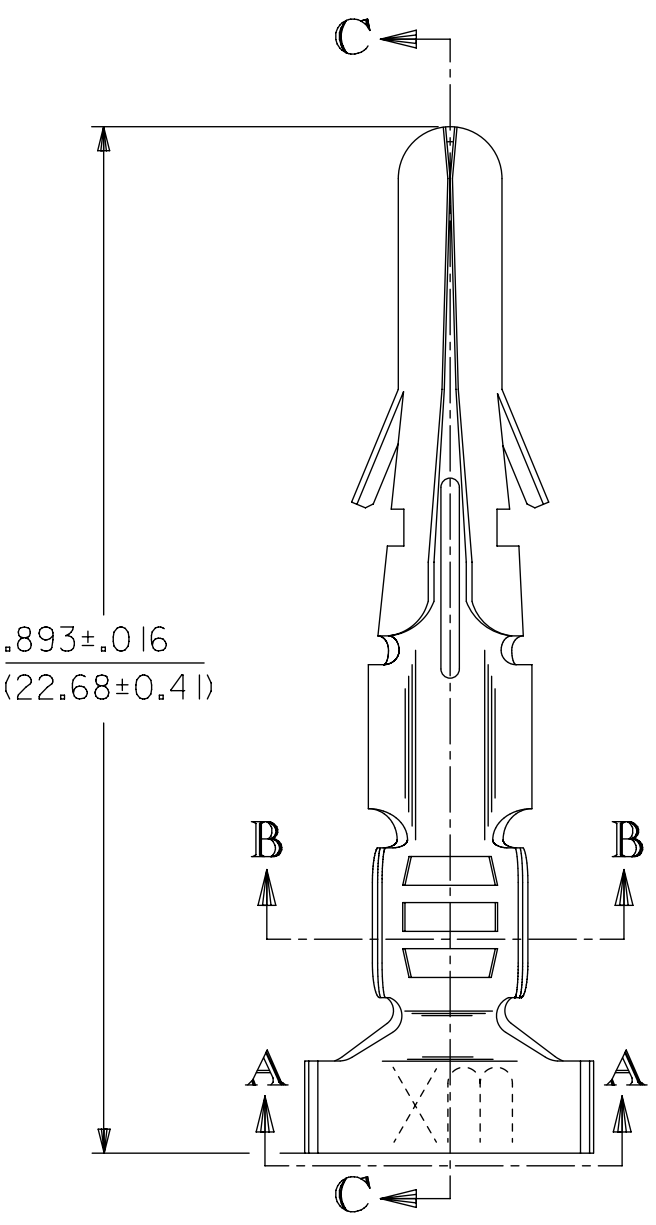
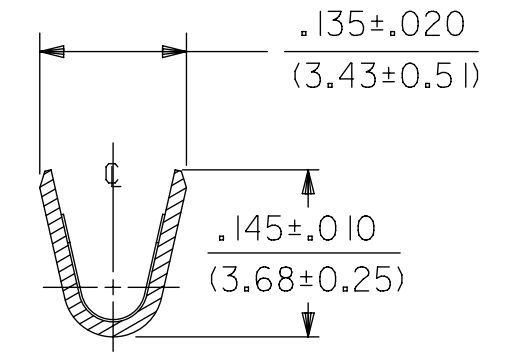
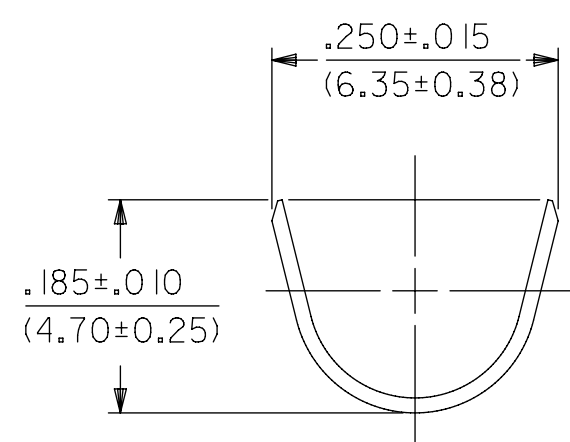
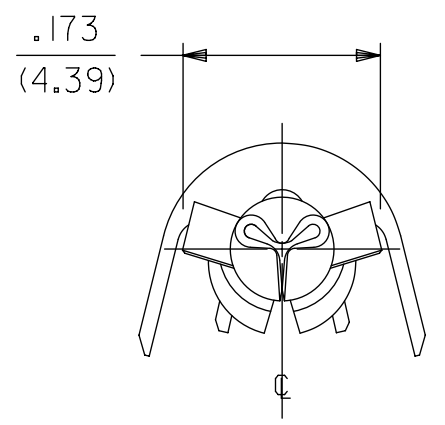
42138-*(****)*

CRIMP STYLE
BLANK="A"

FORM
BLANK=CHAIN
L=LOOSE

P=PREPLATE
BLANK=POSTPLATE

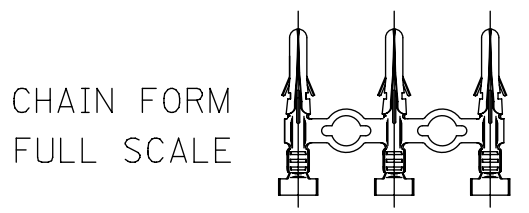
FINISH CODE



NOTES:

MATERIAL:

- BRASS, ALLOY
- FINISH: 901 HOT TIN DIP .000020/(0.00051) MIN.
- TERMINAL FOR USE WITH .093/(2.36) SERIES HOUSING AND WILL ACCEPT 14 THRU 18 AWG WIRE.
- INSULATION CRIMP STYLE "A" ACCEPTS A MAX. INSULATION DIA. OF .180/(4.57).



THIS DRAWING CONTAINS INFORMATION THAT IS PROPRIETARY TO MOLEX ELECTRONIC TECHNOLOGIES, LLC AND SHOULD NOT BE USED WITHOUT WRITTEN PERMISSION											
SYMBOLS		DIMENSION UNITS		SCALE		CURRENT REV DESC: ADD/REMOVE PART #S					
▽ = 0	▽ = 0	IN/MM		6:1		molex CRIMP TERMINAL, MALE, .093 DIA., 14-18 AWG TH LARGE INSULATION PRODUCT CUSTOMER DRAWING DOCUMENT NUMBER: SD-42138-X DOC TYPE: PSD DOC PART: 001 REVISION: H1 MATERIAL NUMBER: SEE CHART CUSTOMER: GENERAL MARKET SHEET NUMBER: 1 OF 1					
▽ = 0	▽ = 0	GENERAL TOLERANCES (UNLESS SPECIFIED)									
▽ = 0	▽ = 0	MM	INCH								
▽ = 0	▽ = 0	4 PLACES	±								
▽ = 0	▽ = 0	3 PLACES	±		± 0.01	EC NO: 609663	2018/12/26	DRWN: SALHAMY	2019/01/15	CHK'D: MKIPPER	2019/01/17
▽ = 0	▽ = 0	2 PLACES	±	0.25	± 0.014	APPR: FSMITH		INITIAL REVISION:			
▽ = 0	▽ = 0	1 PLACE	±	0.35	±	DRWN: GC	1992/02/21	APPR: RS	1992/02/21		
▽ = 0	▽ = 0	0 PLACES	±		±	ANGULAR TOL	± 0.5 °	THIRD ANGLE PROJECTION	DRAWING	SERIES	
▽ = 0	▽ = 0	DRAFT WHERE APPLICABLE MUST REMAIN WITHIN DIMENSIONS				THIRD ANGLE PROJECTION	DRAWING	SERIES	C-SIZE	42138	