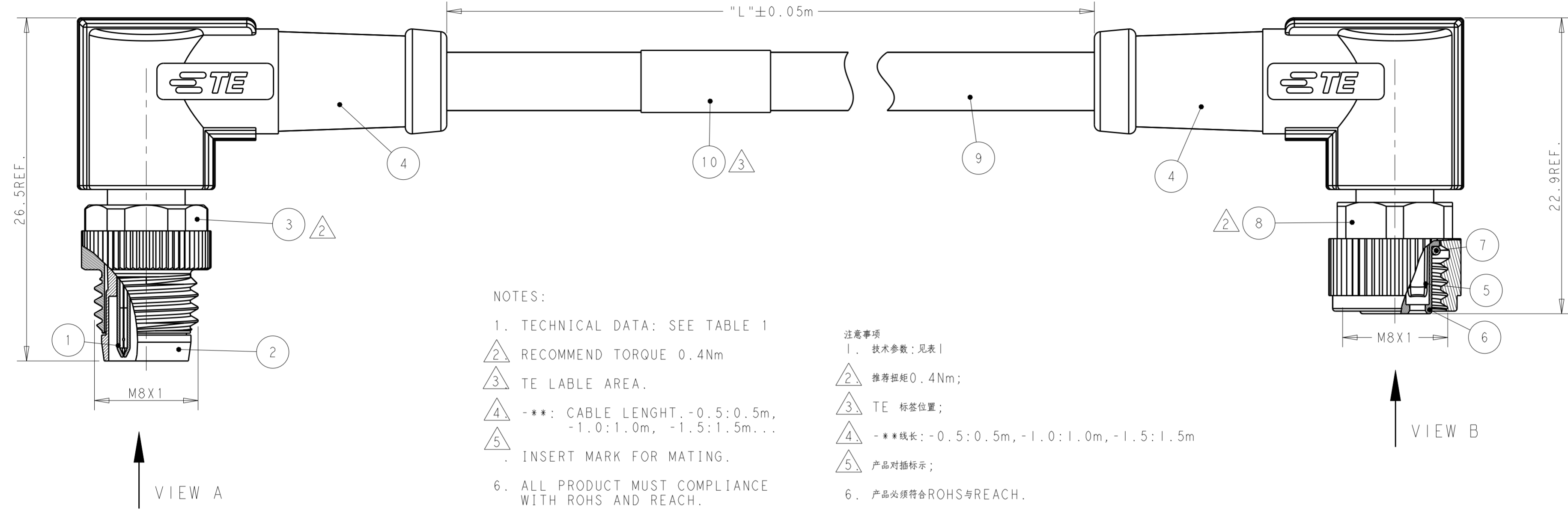


THIS DRAWING IS UNPUBLISHED. RELEASED FOR PUBLICATION 20  
 © COPYRIGHT 20 BY - ALL RIGHTS RESERVED.

REVISIONS				
P	LTR	DESCRIPTION	DATE	APVD
A		INITIAL RELEASE	25FEB2016	N.P X.X

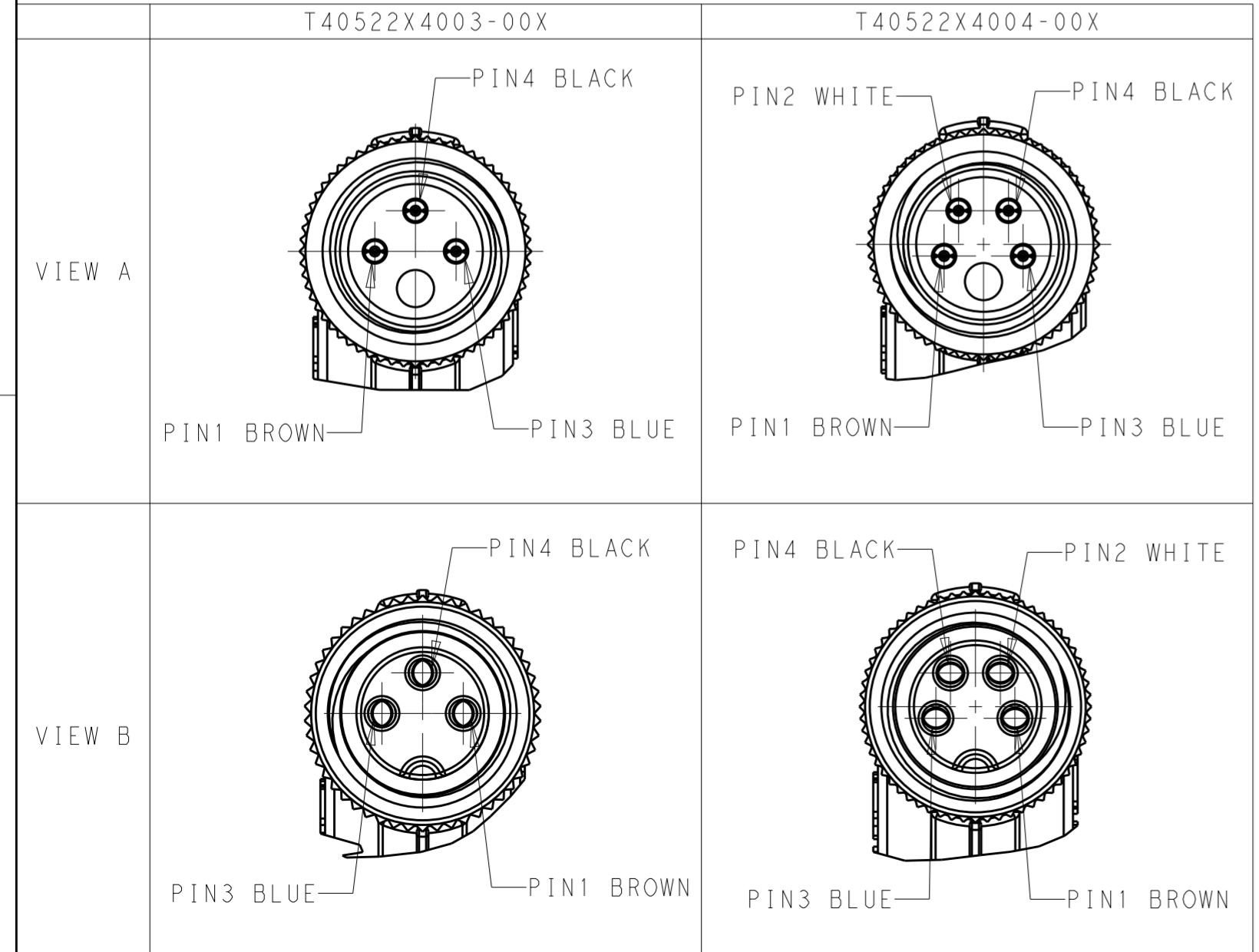


- NOTES:
1. TECHNICAL DATA: SEE TABLE 1
  2. RECOMMEND TORQUE 0.4Nm
  3. TE LABEL AREA.
  4. -\*\* : CABLE LENGTH. -0.5:0.5m, -1.0:1.0m, -1.5:1.5m...
  5. INSERT MARK FOR MATING.
  6. ALL PRODUCT MUST COMPLIANCE WITH ROHS AND REACH.

- 注意事项
1. 技术参数：见表1
  2. 推荐扭矩0.4Nm；
  3. TE 标签位置；
  4. -\*\* 线长：-0.5:0.5m, -1.0:1.0m, -1.5:1.5m
  5. 产品对插标示；
  6. 产品必须符合ROHS与REACH.

TABLE 1

TECHNICAL DATA	T40522X4003-00X	T40522X4004-00X
RATED VOLTAGE	60V	30V
RATED CURRENT		3A
POLLETION DEGREE		3
OVERVOLTAGE CATEGORY		II
MATERIAL GROUP		II
DEGREE OF PROTECTION		IP67



ITEM	DESCRIPTION	MATERIAL	QUANTITY
10	TE LABEL		10
9	CABLE		9
8	NUT	COPPER ALLOY	8
7	O-RING	RUBBER	7
6	HOUSING	PA66	6
5	CONTACT	COPPER ALLOY	5
4	OVER-MOLDING	POLYURETHANE	4
3	COUPLING NUT	COPPER ALLOY	3
2	HOUSING	PA66	2
1	CONTACT	GOLD FLASH COPPER ALLOY	1

WIRE CHARACTERISTIC	LENGTH "L"	RECOMMEND OPERATION TEMPERATURE FOR CABLE	JACKET COLOR	JACKET MATERIAL	TYPE	POS.	PART NUMBER
WIRES: 0.25mm <sup>2</sup> (24AWG)	-001: 0.5m	FIXED: -25°C~80°C FLXIBLE: -10°C~80°C	GRAY	PUR (UL)	RPC-M8-4MR-**-M8-4FR-PUR	4	T4052224004-00X
	-002: 1.0m				RPC-M8-3MR-**-M8-3FR-PUR	3	T4052224003-00X
	-003: 1.5m						
	-004: 3.0m	FIXED: -10°C~80°C FLXIBLE: -5°C~80°C	BLACK	PVC (UL)	RPC-M8-4MR-**-M8-4FR-PVC	4	T4052214004-00X
	-005: 5.0m				RPC-M8-3MR-**-M8-3FR-PVC	3	T4052214003-00X
	-006: 7.0m						
	-007: 10.0m						

THIS DRAWING IS A CONTROLLED DOCUMENT.

DIMENSIONS: mm

TOLERANCES UNLESS OTHERWISE SPECIFIED:

0 PLC	±	
1 PLC	±0.50	
2 PLC	±0.35	
3 PLC	±	
4 PLC	±	

ANGLES: ±

FINISH: -

MATERIAL: TBD

finish\_spec\_2

APVD: Nick Pan 25FEB2016

CHK: Kobby Zhao 25FEB2016

APVD: Xiang Xu 25FEB2016

PRODUCT SPEC: 108-106140

APPLICATION SPEC: -

WEIGHT: -

CUSTOMER DRAWING

SCALE: 1:1

SHEET: 1 OF 1

REV: A

NAME: M8 CABLE ASSEMBLY UNSHIELDED DOUBLE ENDED TYPE

DRAWING NO: C-T40522X400X00X