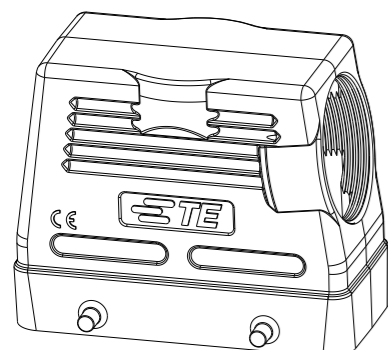
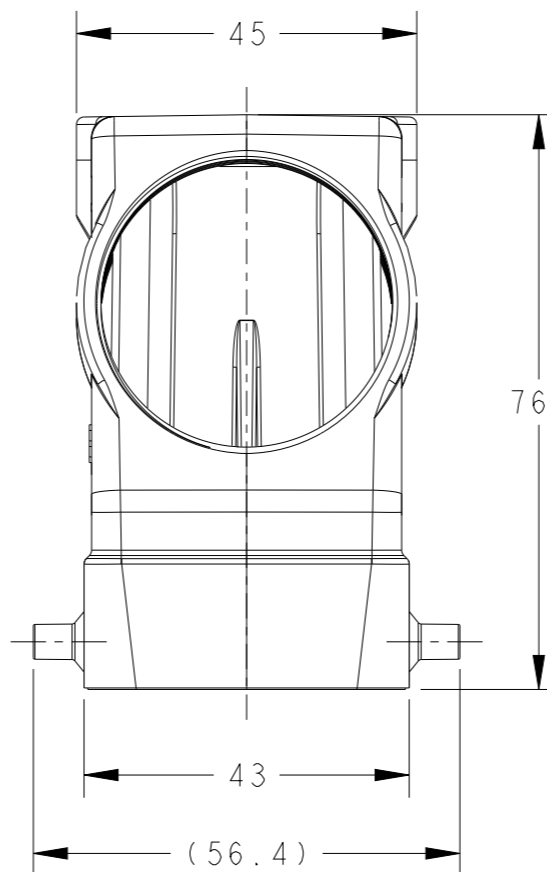
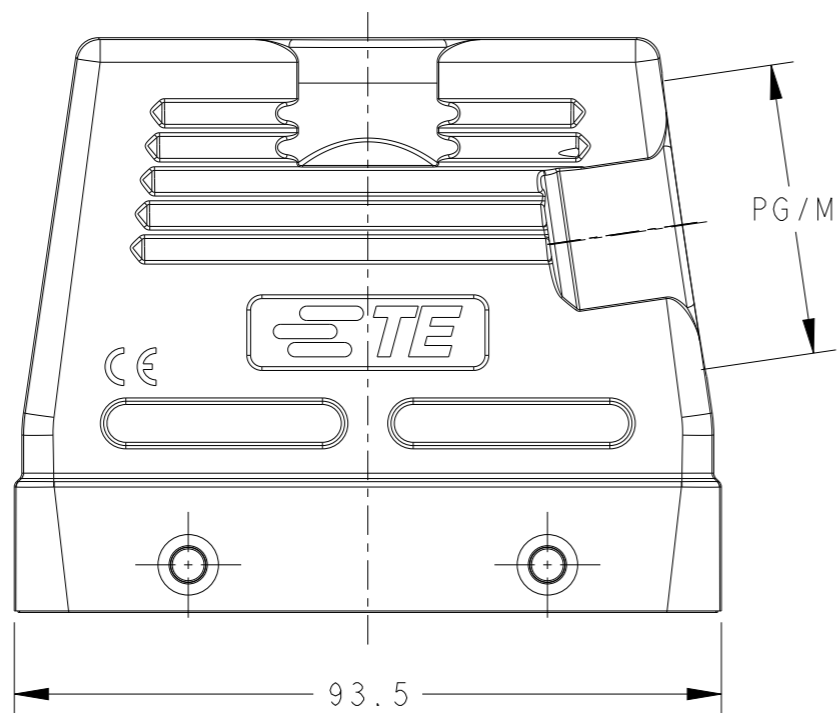


REVISIONS

P	LTR	DESCRIPTION	DATE	DWN	APVD
	A	INITIAL	21DEC2015	DW	CW
	B	ECR-20-008190	05AUG2020	WQR	CW
	B1	ECR-21-105138	29JUN2021	WQR	CW

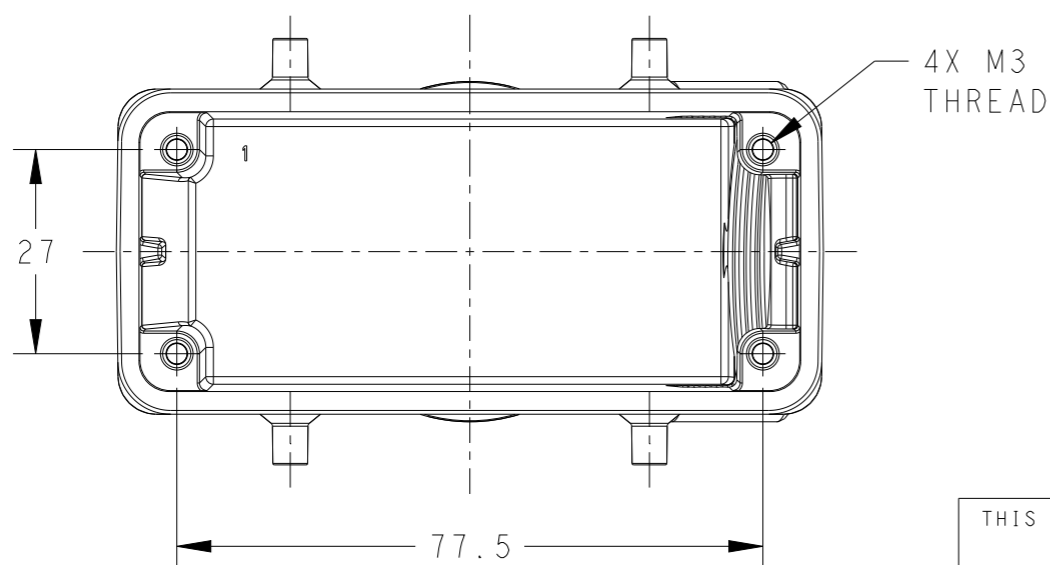


SCALE 1:2



NOTES:  
 1. TECHNICAL CHARACTERISTICS:  
 HOOD MATERIAL: DIE CAST ALUMINIUM ALLOY  
 SURFACE: POWDER COATED, GREY  
 DEGREE OF PROTECTION: IP65 (MATED)

注释:  
 1. 技术参数:  
 上壳材料: 铝合金  
 表面处理: 粉末涂层, 灰色  
 防护等级: IP65(配合)



T1230160121-001	H16B-TSH-PG21	HIGH CONSTRUCTION	PG21
T1230160129-001	H16B-TSH-PG29		PG29
T1230160125-001	H16B-TSH-M25		M25
T1230160132-001	H16B-TSH-M32		M32
T1230160140-001	H16B-TSH-M40		M40
PART NUMBER	DESCRIPTION	TYPE	THREAD PG/M

THIS DRAWING IS A CONTROLLED DOCUMENT.

DIMENSIONS:	TOLERANCES UNLESS OTHERWISE SPECIFIED:
mm	
	0 PLC ±-
	1 PLC ±-
	2 PLC ±-
	3 PLC ±-
	4 PLC ±-
	ANGLES ±-
MATERIAL	FINISH
-	-
-	-

DWN	15DEC2015
David Wang	
CHK	15DEC2015
Chris Wang	
APVD	15DEC2015
Xiang Xu	
PRODUCT SPEC	108-137013
APPLICATION SPEC	114-137013
WEIGHT	-
Customer Drawing	

TE Connectivity		NAME		RESTRICTED TO
		H16B-TSH-M/PG		
SIZE	CAGE CODE	DRAWING NO	-	
A3	00779	©-T12301601XX001	-	
SCALE		SHEET	OF	REV
1:1		1	1	B1