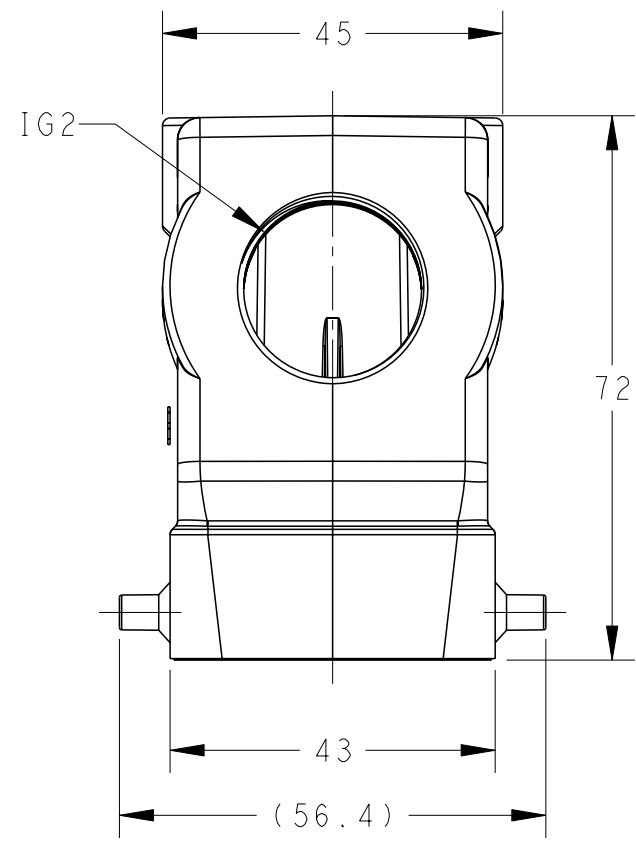
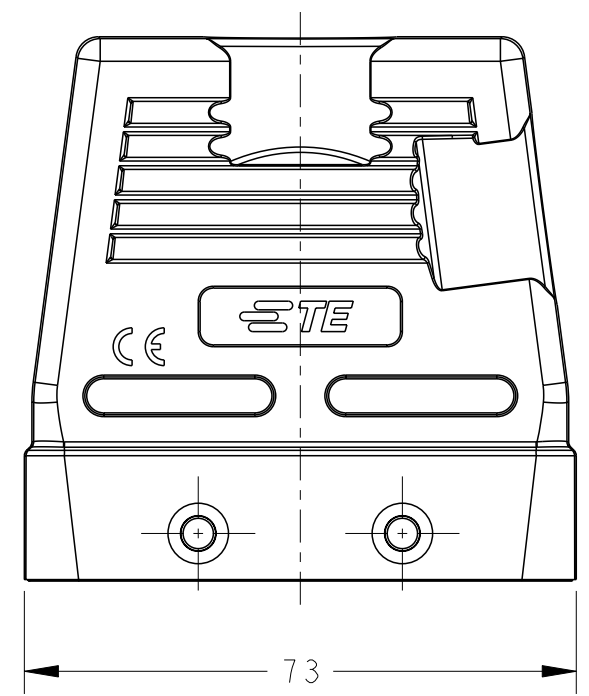


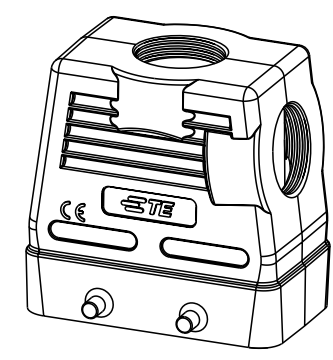
THIS DRAWING IS UNPUBLISHED. RELEASED FOR PUBLICATION 20
 © COPYRIGHT 20 BY - ALL RIGHTS RESERVED.

REVISIONS					
P	LTR	DESCRIPTION	DATE	DWN	APVD
	A	INITIAL	11JUN2015	DW	CW
	B	ECR-20-008181	28JUN2020	WQR	CW
	B1	ECR-21-103925	17JUN2021	WQR	CW

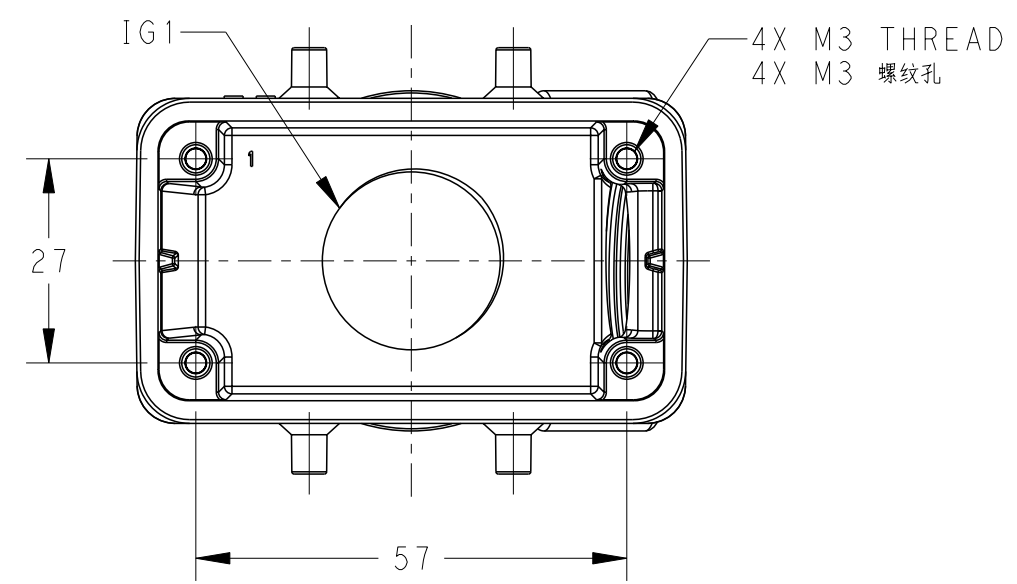


NOTES:
 1. TECHNICAL CHARACTERISTICS:
 HOOD MATERIAL: DIE CAST ALUMINIUM ALLOY
 SURFACE: POWDER COATED, GREY
 DEGREE OF PROTECTION: IP65 (MATED)

注释:
 1. 技术参数:
 上壳材料: 铝合金
 表面处理: 粉末涂层, 灰色
 防护等级: IP65 (配合)



SCALE 1:2



4X M3 THREAD
 4X M3 螺纹孔

T1230102525-000	H10B-TSH/TGH-2M25	M25	M25
PART NUMBER	DESCRIPTION	IG1	IG2

THIS DRAWING IS A CONTROLLED DOCUMENT.	
DIMENSIONS: mm	TOLERANCES UNLESS OTHERWISE SPECIFIED: 0 PLC ±- 1 PLC ±- 2 PLC ±- 3 PLC ±- 4 PLC ±- ANGLES ±-
MATERIAL	FINISH

DWN	11JUN2015
CHK	11JUN2015
APVD	11JUN2015
PRODUCT SPEC	108-137013
APPLICATION SPEC	114-137013
WEIGHT	-

STE TE Connectivity			
NAME H10B-TSH/TGH-2M25			
SIZE	CAGE CODE	DRAWING NO	RESTRICTED TO
A3	00779	C-T1230102525000	-
Customer Drawing		SCALE 1:1	SHEET 1 OF 1 REV B1

printed on 17 Jun 2021 13:19 (China Standard Time) from TE343646