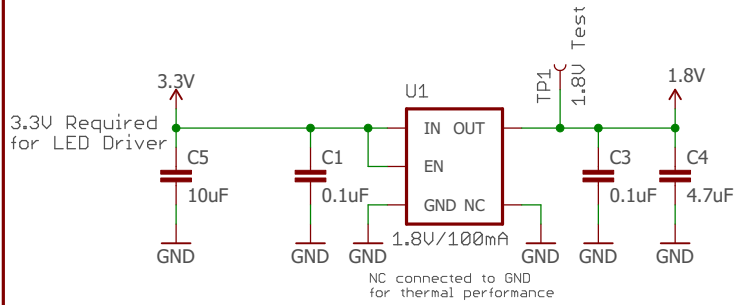
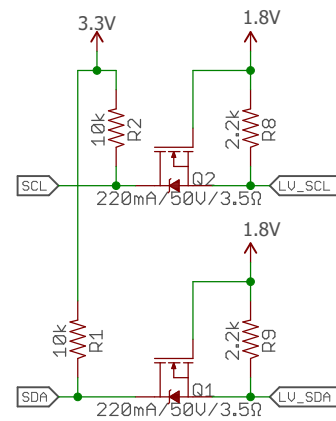


Voltage Regulation

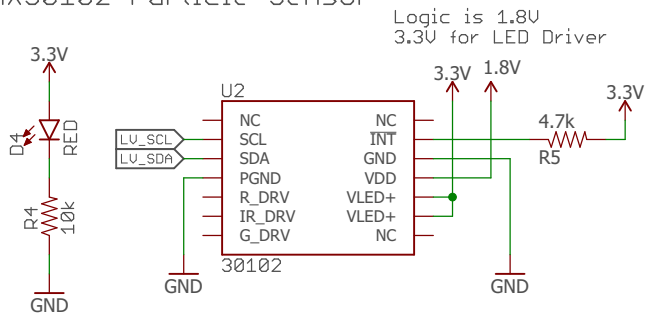
Input Voltage: 3.3-7V



Logic Level Conversion

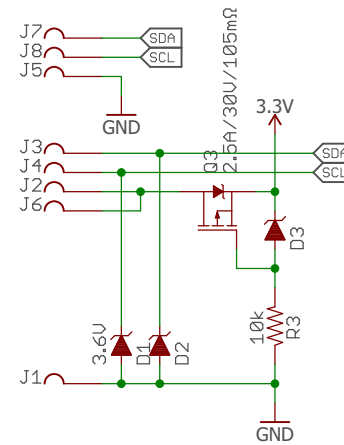


MAX30102 Particle Sensor



7-Bit Unshifted I2C Address: 0x57

Connections



Released under the Creative Commons Attribution Share-Alike 4.0 License
<https://creativecommons.org/licenses/by-sa/4.0/>

TITLE: gator_particle

Design by: A. England

REV: v1.0

Date: 6/6/2019 7:14 PM

Sheet: 1/1