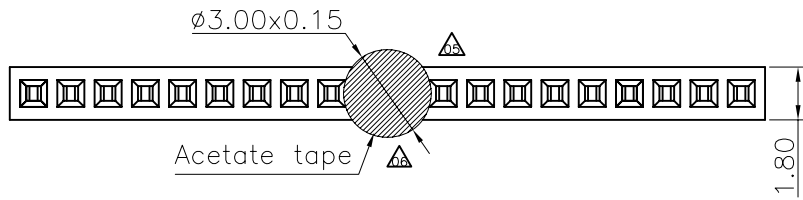


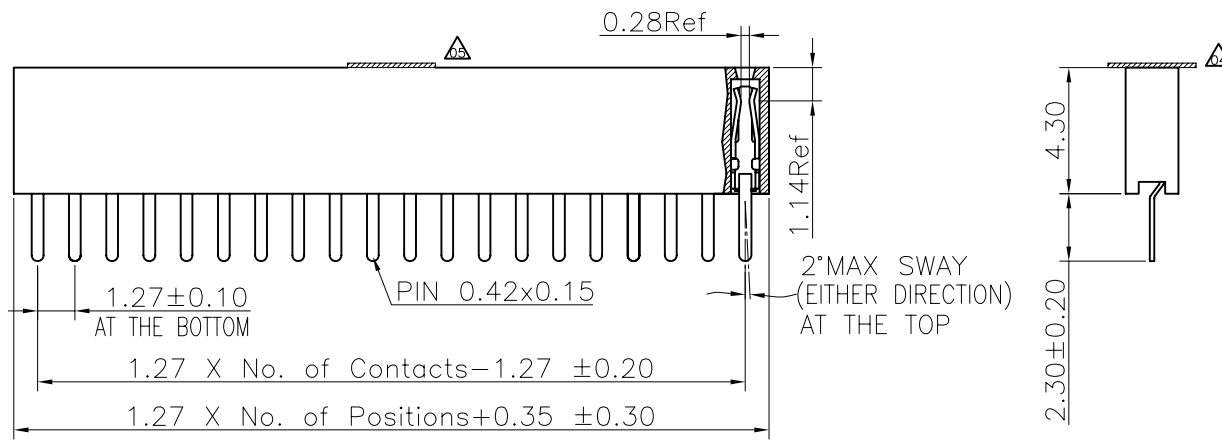
REV.	LOCAS.	DESCRIPTION	DATE	DRAWN
05	△	變更圖號與注解, 修正膠紙配方	2011.07.14	黃明霞
06	△	為防止方形膠紙鬆脫, 變更為圓形膠紙	2012.08.29	黃小燕
07	△	因業務要求, 變更LAYOUT孔徑	2014.08.20	邱國強



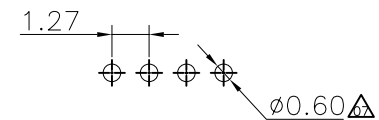
Specifications

Current Rating: 1.0Amp  
 Insulation Resistance: 1000MΩMin.  
 Dielectric Withstanding Voltage: 300VAC  
 Contact Resistance: 20mΩMax.  
 Operating Temperature: -40°C to +105°C  
 Materials

- △ Contact Material: Phosphor Bronze
- Insulator Material: High Temperature Thermoplastic, UL 94V-0 LCP △ or the equivalent material
- All materials must meet GREENCONN hazardous substances control standards.



Recommended P.C.Board Layout  
 (Tolerance: ±0.05)



△ Ordering Information

C SEA102 - XX XX A 001 C 1 A X

No. of Pins per Row 02~40  
 Standard Plating 02=Gold Flash  
 Selective Plating 01=Tin 05=Gold Flash/Tin  
 Color 1=Black  
 Standard Packing C=Tube  
 Selective Packing A=box  
 G=Acetate tape+Tube  
 H=Acetate tape+T&R

格稜股份有限公司  
**Greenconn Corporation**

GENERAL TOLERANCE	
X.*±5.0°	X.±0.30
.X*±3.0°	.X±0.25
.XX*±2.0°	.XX±0.15
.XXX*±1.0°	.XXX±0.10

DESIGNED: 邱國強	DATE: 2014.08.20
CHECKED: 曹熙	DATE: 2014.08.20
CO SIGNED: 劉北平	DATE: 2014.08.20
APPROVED: 李輝	DATE: 2014.08.20

DWG. NO. △△	CSEA102-CA1CA
PART NO. △	CSEA102-XXXX A001C1AX

TITLE:  
 1.27 PIN HEADER  
 DUAL ROWS SINGLE ROW  
 DIP TYPE

REV.	UNIT.	SCALE.	PAGE.	Symbol
07	mm	5:1	1/1	⊕