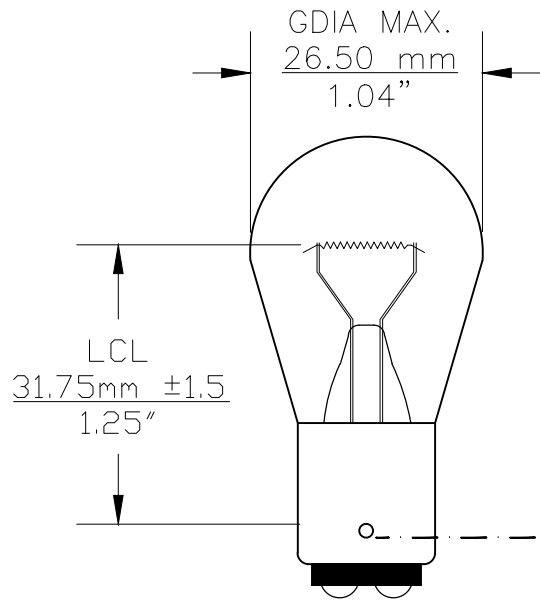
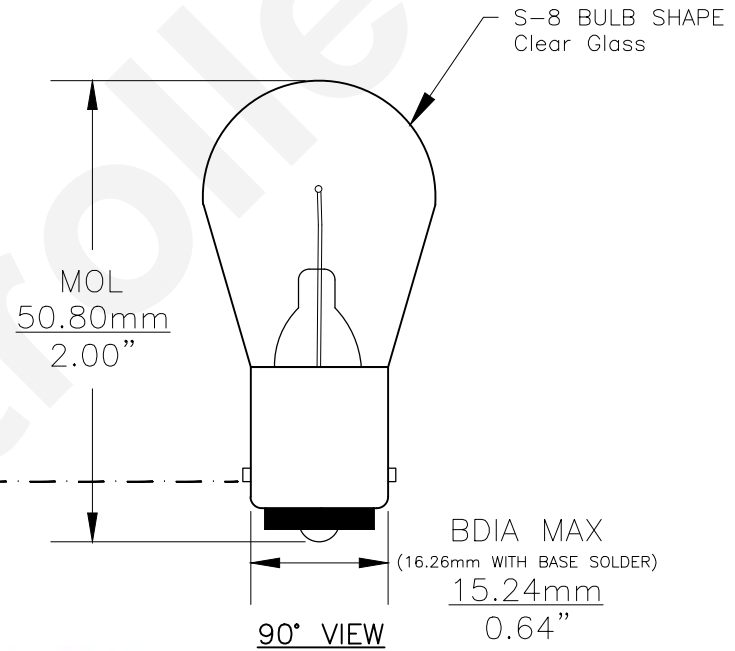




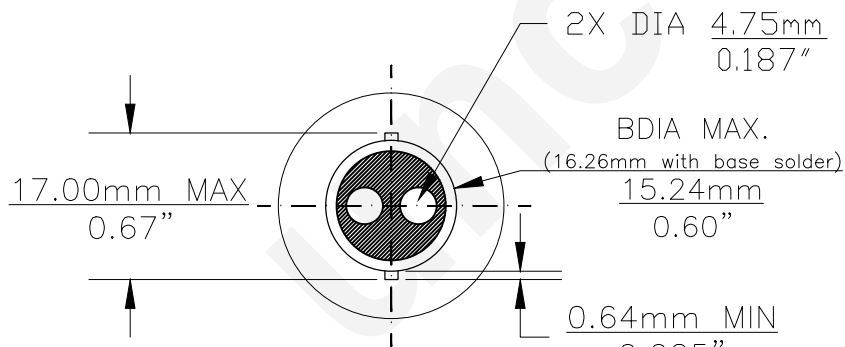
PART NO.	BASE TYPE	DESIGN VOLTS	DESIGN AMPS	MSCD	FILAMENT TYPE	AVERAGE LIFE HOURS	REVISIONS			
							REV #	DESCRIPTION	DATE	APPROVED
7512	D.C. BAYONET (BA15d)	24.0V	0.88±10%	37±15%	C-6	150	1	ISSUED	10/23/2014	R.M.



0° VIEW



90° VIEW



BASE BOTTOM VIEW



Note: Made according to SAE specifications

UNLESS OTHERWISE SPECIFIED: DIMENSIONS ARE IN INCHES TOLERANCES		CEC INDUSTRIES LTD			
DECIMALS .XX ± .05	ANGULAR .XXX ± .010	599 BOND STREET		LINCOLNSHIRE, IL 60069	
FRACTIONAL ±1/64		TITLE LIGHT BULB NO. 7512			
DRAWN ROSE MEDINA	DATE 10/23/2014	SIZE A	FSCM NO.	DWG NO. 7512	REV 1
DESIGN	SCALE	PLOT SCALE	SHEET 1 OF 1		
MATERIAL	FILE 7512.pdf	DRAWING NOT TO SCALE			