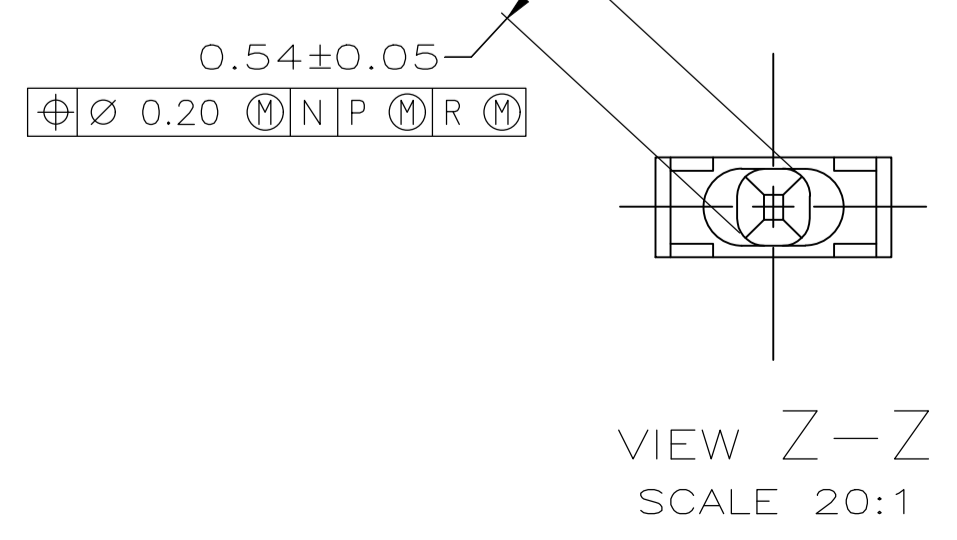
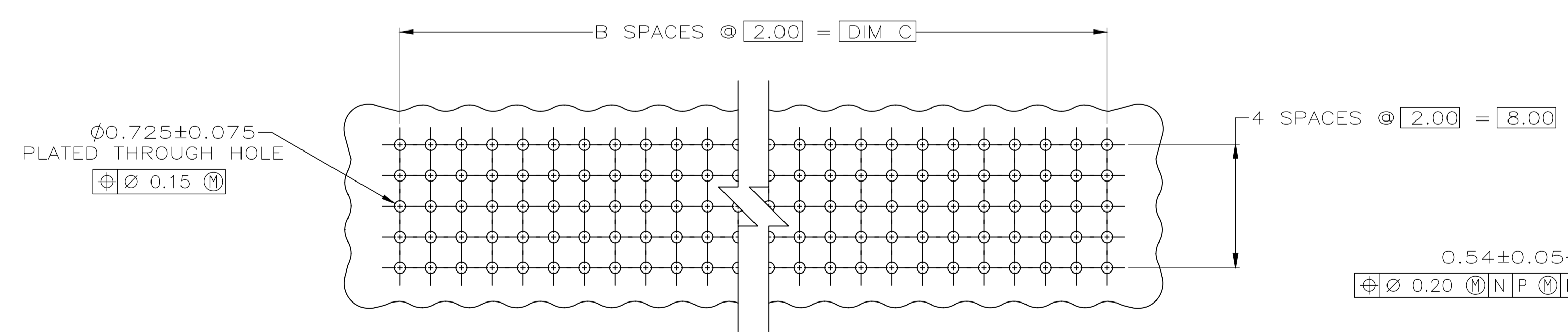
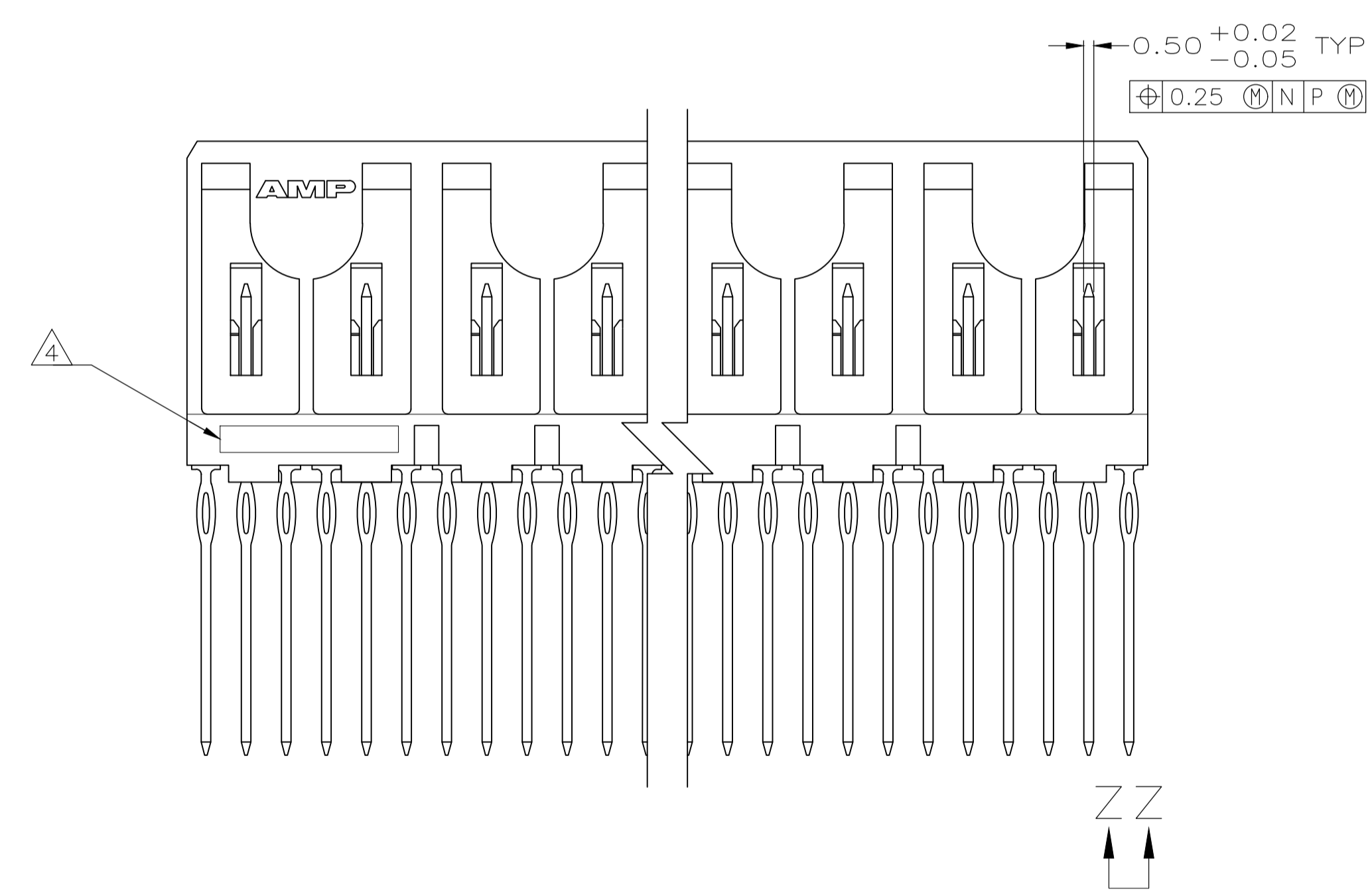
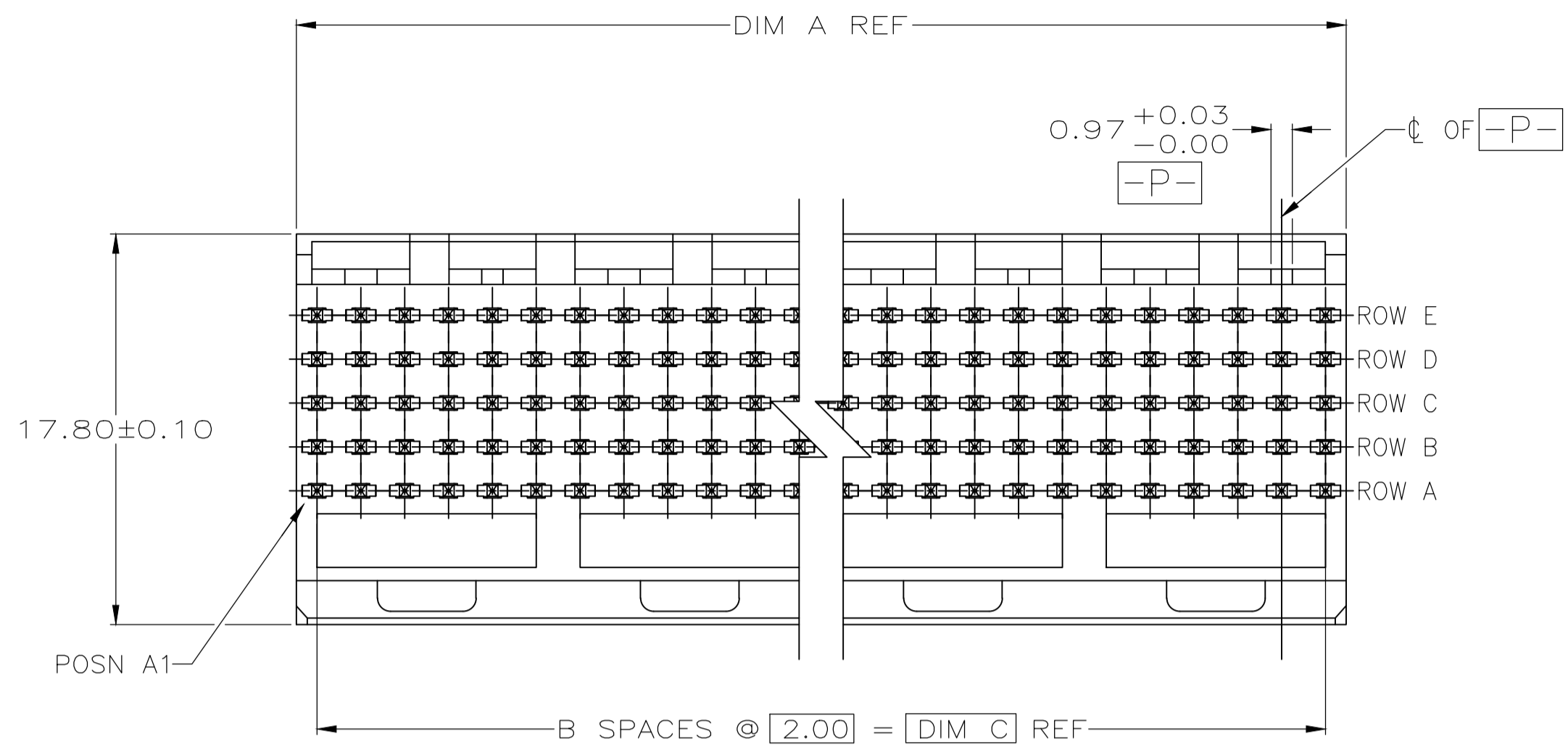
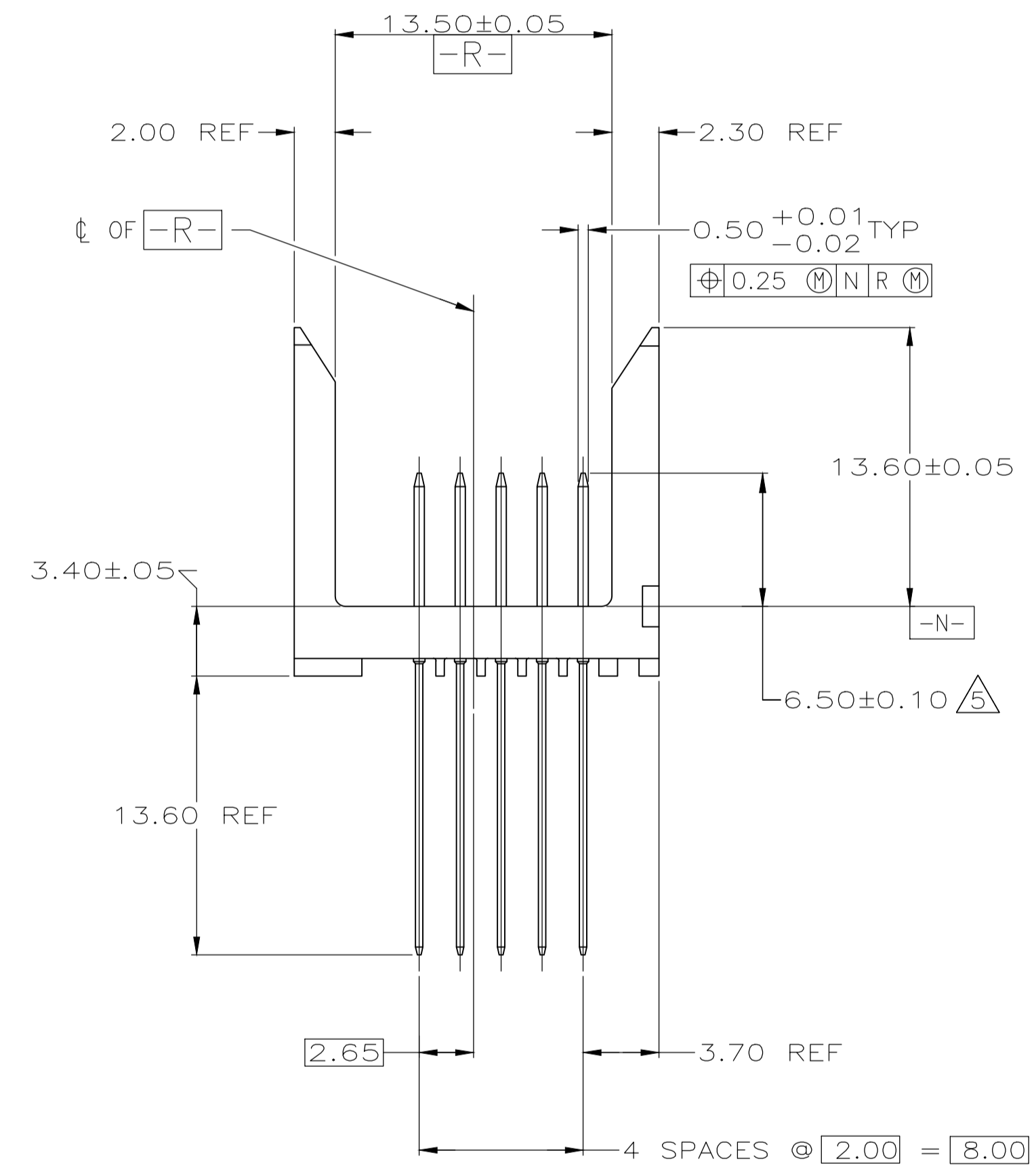


REVISIONS				
P	LTR	DESCRIPTION	DATE	BY
B		REVISED PER ECO-20-013368	23SEP2020	RZ



- △ HOUSING MATERIAL: LIQUID CRYSTAL POLYMER. COLOR: NATURAL.
- △ CONTACT MATERIAL: PHOSPHOR BRONZE.
- △ CONTACT FINISH:(B)
 UNDERPLATE (ENTIRE CONTACT):
 0.00127 MIN NICKEL PER SAE-AMS-QQ-N-290
 ON MATING SURFACES:
 CONFORMS TO ALL TESTING SPECIFIED FOR TELCORDIA UNCONTROLLED ENVIRONMENT.
 ON LEADS:
 0.0006 MIN MATTE TIN PER ASTM B 545 OVER UNDERPLATE.
 LUBRICATION (MIN MATING SURFACES):
 SURFACE CONDITIONER AFTER PLATING.
- △ PART MARKING LOCATED APPROXIMATELY AS SHOWN.
- △ DIMENSION APPLIES WHEN SEATED ON PRINTED CIRCUIT BOARD.



	94.00	47	95.88	240	5223055-8
OBSOLETE	46.00	23	47.88	120	5223055-4
	22.00	11	23.88	60	5223055-2
OBSOLETE	10.00	5	11.88	30	5223055-1
	DIM C	DIM B	DIM A	NUMBER OF SIGNAL POSITIONS	PART NUMBER

THIS DRAWING IS A CONTROLLED DOCUMENT.

DIMENSIONS: mm	TOLERANCES UNLESS OTHERWISE SPECIFIED:	DIN B MCMMASTER 24NOV04	24NOV04
0 PLC ± -	1 PLC ± -	2 PLC ± -	3 PLC ± -
4 PLC ± -	ANGLES ± -	APPROVED: R. WERTZ 24NOV04	NAME: R. WERTZ
MATERIAL: △ 1 △ 2 △ 3	FINISH: △ 3	APPLICATION SPEC: -	PRODUCT SPEC: -
WEIGHT: 0.000000	SIZE: A1	CAGE CODE: 00779	DRAWING NO: 5223055
CUSTOMER DRAWING	SCALE: 4:1	SHEET: 1 of 1	REV: B

STE TE Connectivity

PIN ASSEMBLY, Z-PACK 2mm FB SIGNAL VERTICAL 5 ROW, WITH PRESS FIT LEADS