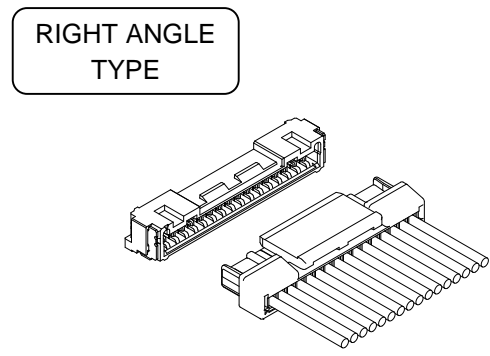
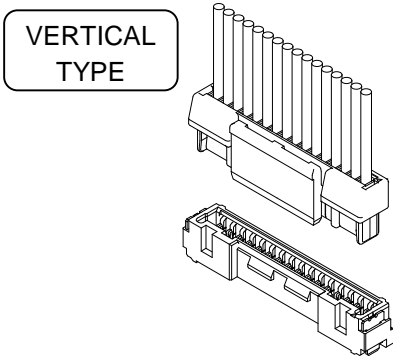


APPLICATION SPECIFICATION
1.25mm PITCH W/B CONN. SINGLE TYPE

[1.APPLICATION]

	Product Name		Part Number
HARNESS SIDE	RECEPTACLE HOUSING		505565 series 204532 series
	RECEPTACLE TERMINAL		5054311*00
	APPLICABLE WIRE		AWG#26~30
	APPLICABLE CRIMP DIE MODEL No.		5781463410
ONBOARD SIDE	PLUG ASSEMBLY	VERTICAL TYPE	505568 series 204530 series PKG : CARRIER TAPE
		RIGHT ANGLE TYPE	505567 series 204529 series PKG : CARRIER TAPE



— Before using —

- Be sure to read the following precautions before using connector.
- Keep this manual handy for later reference.
- The displays and illustrations shown in this manual are for illustrative purposes only and may differ from the actual product.
- The contents of this manual are subject to change without notice.
- If you find any mistake or there is anything that is not clear, please contact us.

REV.	B																					
SHEET	1-51																					
REVISE ON PC ONLY										TITLE:												
B	変更 REVISED 620885 '19/07/19 TAKAIKE									Micro-Lock PLUS 1.25 W/B SINGLE ROW CONNECTORS												
THIS DOCUMENT CONTAINS INFORMATION THAT IS PROPRIETARY TO MOLEX ELECTRONIC TECHNOLOGIES, LLC AND SHOULD NOT BE USED WITHOUT WRITTEN PERMISSION																						
REV.	DESCRIPTION																					
DESIGN CONTROL J					STATUS					WRITTEN BY: TAKAIKE			CHECKED BY: KOMURAKAMI			APPROVED BY: T.KANEKO			DATE: 2016/06/13			

DOCUMENT NUMBER AS-505565-001	DOC. TYPE PS	DOC. PART 001	CUSTOMER GENERAL MARKET	SHEET 1 OF 51
---	------------------------	-------------------------	-----------------------------------	------------------

Contents

1. <u>Application</u>	P-1
2. <u>Instructions</u>	
2-1. <u>Product exterior</u>	P-3
2-2. <u>Applicable wire and crimp tooling</u>	P-3
2-3. <u>About safekeeping before harness process and the surface mount process</u> ..	P-3
2-4. <u>Harness process and surface mount process instruction.</u>	P-4~5
2-5. <u>About use in the machinery.</u>	P-5
2-6. <u>About rating / performance standard.</u>	P-5
2-7. <u>Use of the product.</u>	P-6
3. <u>The name of each part & explanation</u>	
3-1. <u>Receptacle crimp terminal</u>	P-7
3-2. <u>Receptacle housing</u>	P-8
3-3. <u>Vertical Plug assembly</u>	P-9
3-4. <u>Right Angle Plug assembly</u>	P-9
4. <u>The confirmation item of crimping wire</u>	
4-1. <u>The appearance before crimping.</u>	P-10
4-2. <u>The appearance after crimping.</u>	P-10
4-3. <u>Crimping failure</u>	P-10~13
5. <u>Package for over crimping-wire and package</u>	P-14
6. <u>Harness processing (crimping wire insertion method in Receptacle housing)</u>	
6-1 <u>Insertion crimping wire</u>	P-15~18
6-2. <u>Repair of crimp terminal</u>	P-18
7. <u>Banding of harness</u>	P-19
8. <u>Packing method of harness</u>	P-20~21
9. <u>Instruction when mating with Plug assembly</u>	
9-1. <u>Mating process method</u>	P-22
9-2. <u>Un-mating process method</u>	P-23
9-3. <u>Wiring after mating</u>	P-24~25

REVISE ON PC ONLY		TITLE: Micro-Lock PLUS 1.25 W/B SINGLE ROW CONNECTORS		
B	SEE SHEET 1 OF 51			
REV.	DESCRIPTION	THIS DOCUMENT CONTAINS INFORMATION THAT IS PROPRIETARY TO MOLEX ELECTRONIC TECHNOLOGIES, LLC AND SHOULD NOT BE USED WITHOUT WRITTEN PERMISSION		
DOCUMENT NUMBER AS-505565-001				
				SHEET 2 OF 51
EN-127(2015-12)				

[2.Instructions]

2-1. Product exterior

1. There is no influence on the product performance though the black spots or bubbles etc. might be confirmed on the plastic part of this product and the color might be different (discoloration by secular distortion etc.).
2. Slide marks may sometimes appear in plating part of the product, but there is no impact on the function of this product.
3. Resin and terminal plating may have some changes in color after reflow, but there is no negative impact on the function of this product.
4. Connectors may be damaged by applying force in the machines. Please confirm before use.

2-2. Applicable wire and crimp tooling

1. Guarantee is void when product is used with wire out of application range specified in the product specifications.
2. Guarantee is void when product is used with tooling not specified by Molex.
3. The recommended electric wire is tin plating. Please confirm separately about the use of other electric wires.

2-3. About safekeeping before harness process and the surface mount process

1. Please keep product with the delivery being in a state. Also, please keep it under normal temperature and humidity avoiding direct sunlight.
2. Please do not allow external force from being applied during the storage.
3. During handling, avoid shock or dropping products as it may cause damage.
4. First-in, first-out of the stock is recommended.
5. Keep product in original packaging before using.

	REVISE ON PC ONLY		TITLE: Micro-Lock PLUS 1.25 W/B SINGLE ROW CONNECTORS			
	B	SEE SHEET 1 OF 51				THIS DOCUMENT CONTAINS INFORMATION THAT IS PROPRIETARY TO MOLEX ELECTRONIC TECHNOLOGIES, LLC AND SHOULD NOT BE USED WITHOUT WRITTEN PERMISSION
	REV.	DESCRIPTION	DOC. TYPE	DOC. PART	CUSTOMER	
DOCUMENT NUMBER AS-505565-001			PS	001	GENERAL MARKET	3 OF 51
EN-127(2015-12)						

2-4. Harness process and surface mount process instruction.

1. Please confirm if the products and crimp machine, crimp condition, an applicable wire are equal to product drawing before use.
2. Beware of unintended damage caused by dust, debris, or foreign objects before using this product. It may result in unsatisfaction of the insertion performance to the housing and electric performance.
3. Please do not touch the terminal by bare hand.
4. When a terminal is twisted or tangled before or after crimping, please do not pull it by force. The terminal may become damaged.
5. Do not apply force to the product during work in process or in finishing goods. Product may be damaged and may not function properly as a connector.
6. Please do not expose a product and a harness half-finished goods to the following condition.
 - Dust
 - Corrosive material
 - Corrosive gas
 - High temperature and high humidity
 - Direct sunlight

The above-mentioned conditions may cause poor contact and the corrosion of the terminal and the insulation performance deterioration of the housing.
Please keep in boxes.
7. Please do not add loads to connector and harness half-finished goods during production, packaging, transportation, or storage. It may cause damage and result in poor performance.
8. When pulling the electric wire of harness half-finished goods, contact defect may be caused by adding load to contacts, crimp parts and lock parts. **When performing the guidance wiring of the electric wire, do not apply excessive forces that the connector can't withstand.**
9. Do not damage receptacle crimp housing and a crimp terminal intentionally. Product performance can be affected by this condition.
10. Please use the product within the day the package is opened. Moisture absorption or drying may cause the deterioration of materials by neighboring atmospheres. When you cannot use it up, please seal the bag again and keep it in a box.
11. Please be careful not to be injured by the edges part such as metal parts when handling a connector.
12. To avoid injury, please be careful when handling the paper between terminals and metal carrier on reels.
13. Our evaluation is with the use of standard rigid PWB. When the product is used on flexible printed circuits (FPC) please evaluate in advance.
14. Please solder all the terminal departments and the nail part. Non-soldered part may cause defect.
15. In the case of changing our recommended board pattern size or design, please consult us in advance because such changes may cause defects.
16. Please do not apply to load the connector. For example, carrying the PWB when connector is mated may cause damage.
17. Please do not stack PWB after connector has soldered to PWB.

REVISE ON PC ONLY		TITLE: Micro-Lock PLUS 1.25 W/B SINGLE ROW CONNECTORS			
B	SEE SHEET 1 OF 51				
REV.	DESCRIPTION	THIS DOCUMENT CONTAINS INFORMATION THAT IS PROPRIETARY TO MOLEX ELECTRONIC TECHNOLOGIES, LLC AND SHOULD NOT BE USED WITHOUT WRITTEN PERMISSION			
DOCUMENT NUMBER AS-505565-001		DOC. TYPE PS	DOC. PART 001	CUSTOMER GENERAL MARKET	SHEET 4 OF 51
EN-127(2015-12)					

18. Please follow the conditions of specifications, when the connecting connector with a soldering iron. For conditions exceeding specifications, the connector may be damaged.
19. When using a solder iron, please do not use excessive solder and flux. It may cause poor contact performance by solder wicking and flux wicking.
20. There may be changes in color of the resin part and twisting in the terminal plating parts depending on the flow conditions, but it does not degrade product performance.
21. Do not coil electric wires around the housing or the gap of the housing lock during harness processing and packaging of harness product. In addition, please do not pull an electric wire by force when an electric wire has coiled itself around the housing and the gap of the housing lock. If wire becomes tangled, it may cause terminal damage. Please do not apply load to housing lock when removing wires.

2-5. About use in the machinery.

1. Vibration of an electric wire or printed circuit board due to machinery vibration or rotation must be avoided to prevent damage to connector at contact area. Contact failure due to abrasion may be caused. Therefore, please fix electric wires and printed circuit boards in the machinery and take measures to hold resonances.
2. Do not fix printed circuit boards only by using connectors. They must be fixed or supported by other means.
3. Please do not touch terminals and fitting nails before and after mounting on the circuit board.
4. Please insert and withdraw connector along fixed axis. The diagonal insertion and withdrawal cause damage to the connector.
5. After mating, do not intentionally apply force to span or rotate a connector. Such force may cause damage to connector or solder cracking.
6. If an electric wire is pulled after mating a connector, it may damage contact or crimping areas or the lock area and result in contact failure. When performing the guidance wiring of the electric wire. Please keep the wire loose to avoid applying excessive force to connector.
7. When withdrawing the connector, please hold wire lightly and remove the lock securely using the entire finger.
8. Plastic lances may be damaged after removing crimp terminals. Therefore, please use a new crimp housing when repairing a connector.

2-6. About rating / performance standard.

1. Please use the product within the rating / the standard of product specifications.
(5055650000 PS 000, 5055650002 PS 000, 2045320000-PS PS 000, 2045320000-PS PS 001)
2. This product is not designed for usage in “hot-swap” applications where power is on.
3. Please confirm that machinery design standards are satisfied before using the connector.
4. In order to avoid short circuits, please do not allow connectors to contact with metal objects.
5. Please avoid to use current higher than the rated current.

REVISE ON PC ONLY		TITLE: Micro-Lock PLUS 1.25 W/B SINGLE ROW CONNECTORS			
B	SEE SHEET 1 OF 51				
REV.	DESCRIPTION	THIS DOCUMENT CONTAINS INFORMATION THAT IS PROPRIETARY TO MOLEX ELECTRONIC TECHNOLOGIES, LLC AND SHOULD NOT BE USED WITHOUT WRITTEN PERMISSION			
DOCUMENT NUMBER AS-505565-001		DOC. TYPE PS	DOC. PART 001	CUSTOMER GENERAL MARKET	SHEET 5 OF 51
EN-127(2015-12)					

2-7. Use of the product.

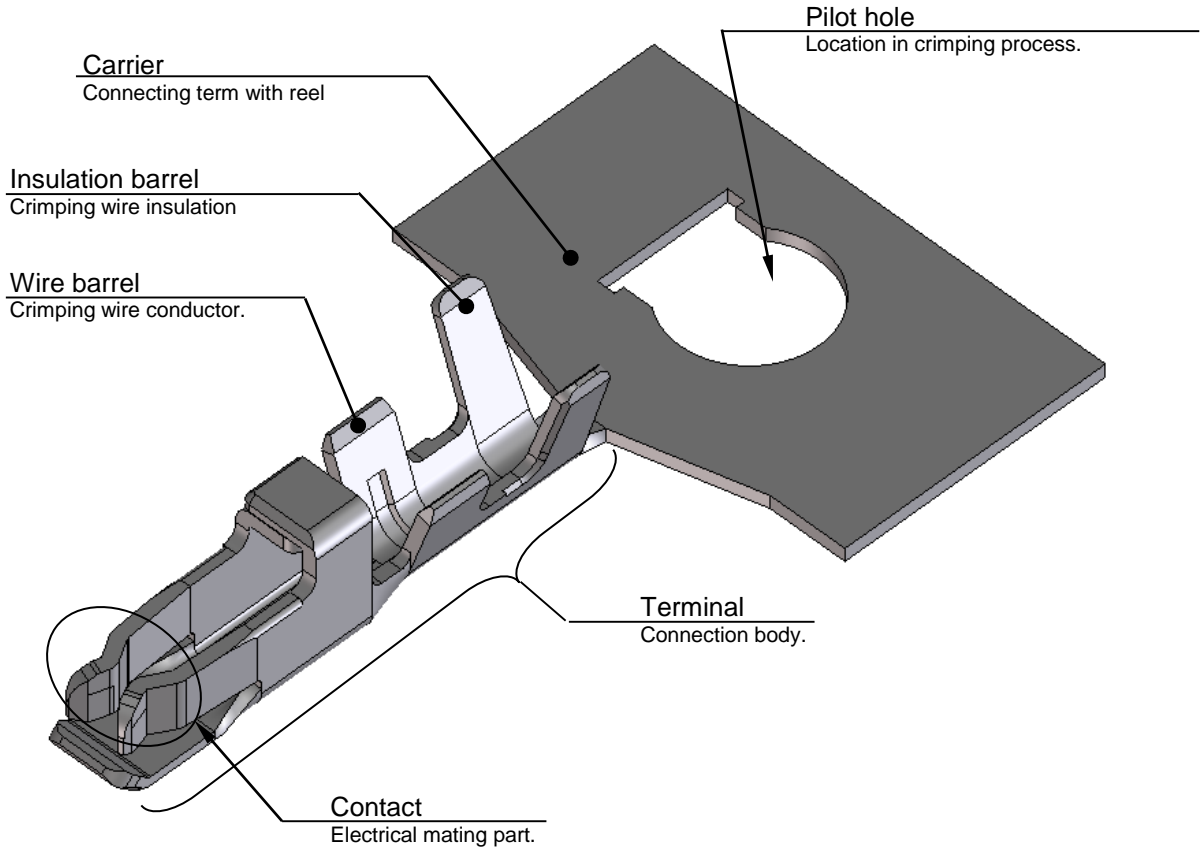
1. This product is not designed and produced for the machine to be used under the condition involving human lives or for the use of system. If you use this product for special use such as medical, aerospace and nuclear power etc., please confirm us before using.
2. Please contact us without fail before using if you plan to use the product for automobile and ship etc. (We will consider if the product can be applied to such specification condition.)
3. Please avoid using the product outdoors or under similar environment.

	REVISE ON PC ONLY		TITLE: Micro-Lock PLUS 1.25 W/B SINGLE ROW CONNECTORS	
	B	SEE SHEET 1 OF 51		
	REV.	DESCRIPTION	THIS DOCUMENT CONTAINS INFORMATION THAT IS PROPRIETARY TO MOLEX ELECTRONIC TECHNOLOGIES, LLC AND SHOULD NOT BE USED WITHOUT WRITTEN PERMISSION	
DOCUMENT NUMBER AS-505565-001	DOC. TYPE PS	DOC. PART 001	CUSTOMER GENERAL MARKET	SHEET 6 OF 51
EN-127(2015-12)				

[3. The name of each part & explanation]

3-1. Receptacle crimp terminal : 505431 series.

Shows Reel state



※ Please refer to sales drawing for product form and its dimensions.
5054311000-SD PSD 000
5054311100-SD PSD 000

APPLICABLE WIRE AND APPLICABLE CRIMP DIE MODEL—

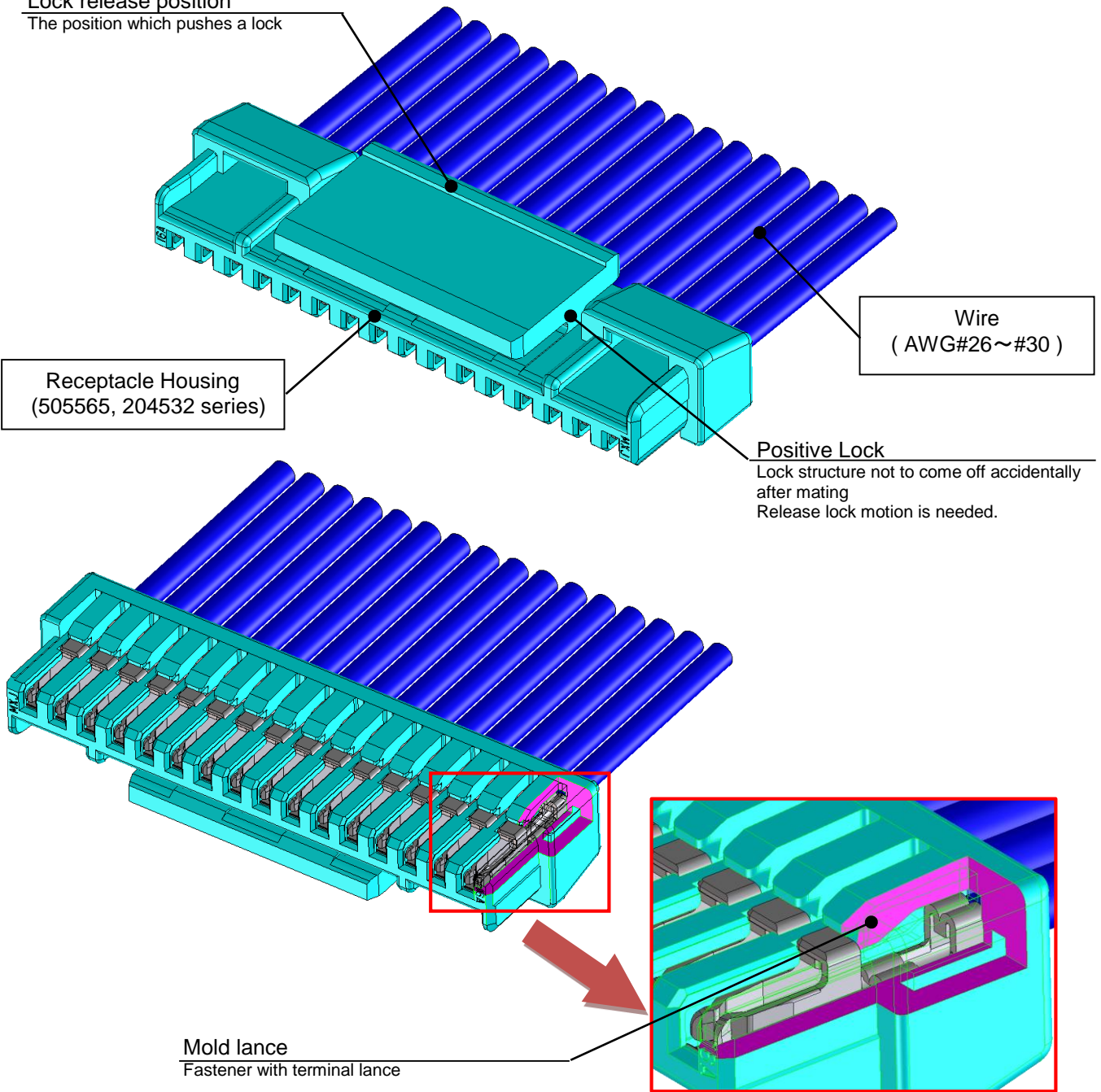
Part Number	WIRE SIZE	CONDUCTOR SPEC.
5054311*00	AWG#26~30	TINNED COPPER WIRE
APPLICABLE CRIMP DIE MODEL No.		578146-3410

REVISE ON PC ONLY		TITLE: Micro-Lock PLUS 1.25 W/B SINGLE ROW CONNECTORS			
B	SEE SHEET 1 OF 51				
REV.	DESCRIPTION	THIS DOCUMENT CONTAINS INFORMATION THAT IS PROPRIETARY TO MOLEX ELECTRONIC TECHNOLOGIES, LLC AND SHOULD NOT BE USED WITHOUT WRITTEN PERMISSION			
DOCUMENT NUMBER AS-505565-001		DOC. TYPE PS	DOC. PART 001	CUSTOMER GENERAL MARKET	SHEET 7 OF 51

3-2. Receptacle housing : 505565, 204532 series

Lock release position

The position which pushes a lock



Positive Lock

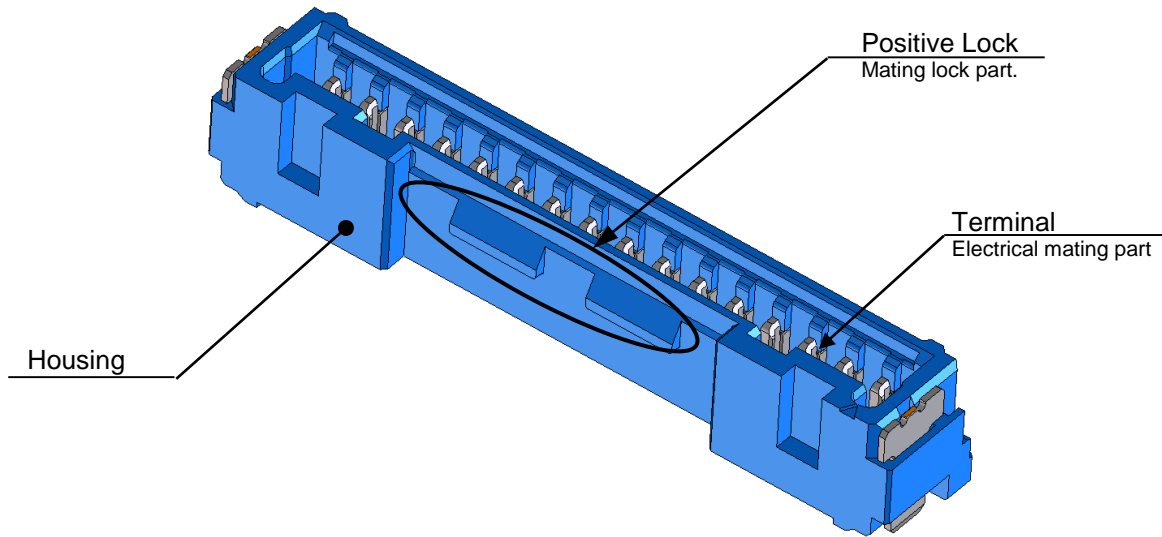
Lock structure not to come off accidentally after mating
Release lock motion is needed.

Mold lance
Fastener with terminal lance

※ Please refer to sales drawing for product form and its dimensions.
5055650002-SD PSD 000, 2045320000-SD PSD 000

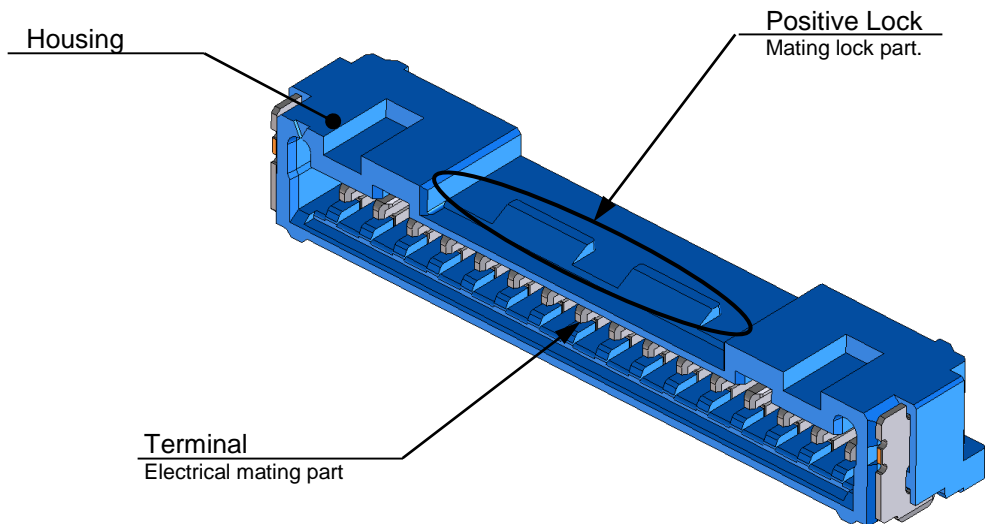
REVISE ON PC ONLY		TITLE:		
B	SEE SHEET 1 OF 51	Micro-Lock PLUS 1.25 W/B SINGLE ROW CONNECTORS		
REV.	DESCRIPTION	THIS DOCUMENT CONTAINS INFORMATION THAT IS PROPRIETARY TO MOLEX ELECTRONIC TECHNOLOGIES, LLC AND SHOULD NOT BE USED WITHOUT WRITTEN PERMISSION		
DOCUMENT NUMBER AS-505565-001		DOC. TYPE PS	DOC. PART 001	CUSTOMER GENERAL MARKET
				SHEET 8 OF 51
EN-127(2015-12)				

3-3. PLUG Assembly : 505568, 204530 series (VERTICAL TYPE)



※ Please refer to sales drawing for product form and its dimensions.
Sales drawing:
5055680000-SD PSD 000, 5055680010-SD PSD 000,
2045300000-SD PSD 000, 2045300001-SD PSD 000, 2045300002-SD PSD 000

3-4. PLUG Assembly : 505567, 204529 series (RIGHT ANGLE TYPE)



※ Please refer to sales drawing for product form and its dimensions.
Sales drawing:
5055670000-SD PSD 000, 5055670010-SD PSD 000,
2045290000-SD PSD 000

REVISE ON PC ONLY		TITLE: Micro-Lock PLUS 1.25 W/B SINGLE ROW CONNECTORS			
B	SEE SHEET 1 OF 51				
REV.	DESCRIPTION	THIS DOCUMENT CONTAINS INFORMATION THAT IS PROPRIETARY TO MOLEX ELECTRONIC TECHNOLOGIES, LLC AND SHOULD NOT BE USED WITHOUT WRITTEN PERMISSION			
DOCUMENT NUMBER AS-505565-001		DOC. TYPE PS	DOC. PART 001	CUSTOMER GENERAL MARKET	SHEET 9 OF 51
EN-127(2015-12)					

[4. Confirmation items of crimping wire]

4-1. The appearance before crimping.

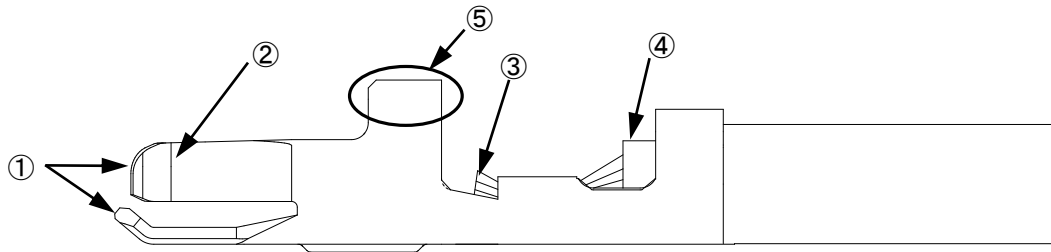
When using the loose terminals products before crimping, please make sure that there is no deformation of the crimp terminal.

If you find that the terminals are tangled, please do not remove them forcibly.

Please refer to sales drawing (5054311000-SD PSD 000, 5054311100-SD PSD 000) for product form and its dimensions.

4-2. The appearance after crimping.

Confirmation items and crimping failure after crimping are shown as follows.



- ① No visible damage on terminal.
- ② No visible damage or deformation on spring contact area.
- ③ All wire strands are in conductor barrel.
- ④ The insulator part of the electric wire is located in the intermediate position of wire barrel and insulation barrel.
- ⑤ No damage on terminal lance.
- ⑥ No damage on appearance. (Dirt / foreign objects)

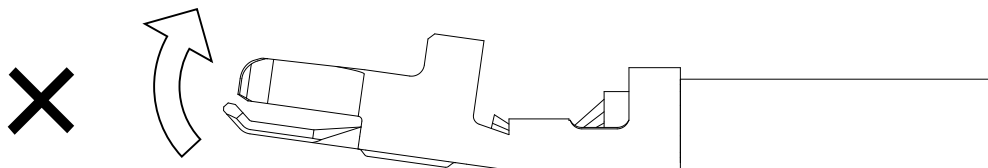
4-3. Crimping failure.

Please be careful of the crimping failure as shown below.

It may affect the insertion to housing and affect a product function.

① Bend up

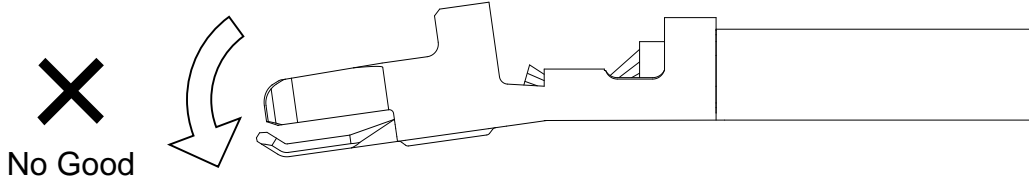
It may deteriorate insertion to housing and terminal retention force or cause contact failure.



REVISE ON PC ONLY		TITLE: Micro-Lock PLUS 1.25 W/B SINGLE ROW CONNECTORS			
B	SEE SHEET 1 OF 51				
REV.	DESCRIPTION	THIS DOCUMENT CONTAINS INFORMATION THAT IS PROPRIETARY TO MOLEX ELECTRONIC TECHNOLOGIES, LLC AND SHOULD NOT BE USED WITHOUT WRITTEN PERMISSION			
DOCUMENT NUMBER AS-505565-001		DOC. TYPE PS	DOC. PART 001	CUSTOMER GENERAL MARKET	SHEET 10 OF 51
EN-127(2015-12)					

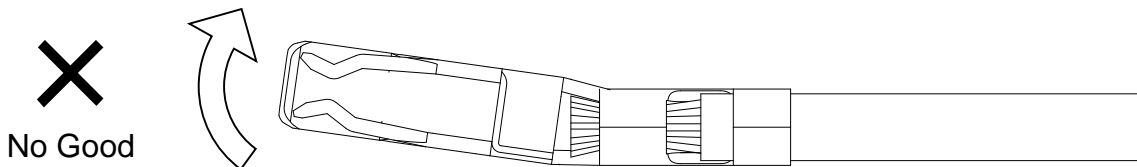
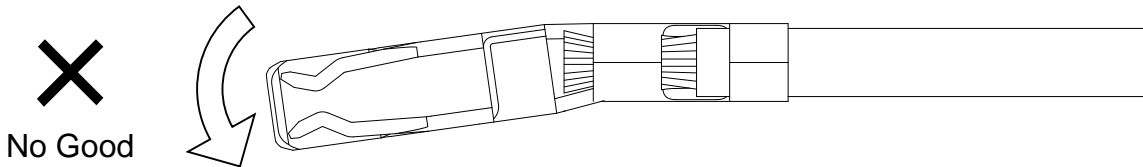
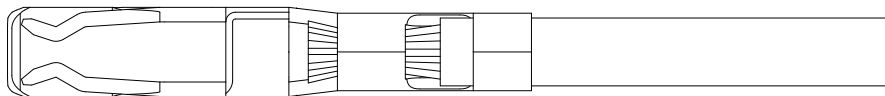
② Bend down

It may deteriorate insertion to housing and terminal retention force or cause contact failure.



③ Twist

It may deteriorate insertion to housing and terminal retention force or cause contact failure.



REVISE ON PC ONLY

B

SEE SHEET 1 OF 51

TITLE:

**Micro-Lock PLUS 1.25 W/B
SINGLE ROW CONNECTORS**

THIS DOCUMENT CONTAINS INFORMATION THAT IS PROPRIETARY TO MOLEX ELECTRONIC TECHNOLOGIES, LLC AND SHOULD NOT BE USED WITHOUT WRITTEN PERMISSION

REV.

DESCRIPTION

DOCUMENT NUMBER

AS-505565-001

DOC. TYPE

PS

DOC. PART

001

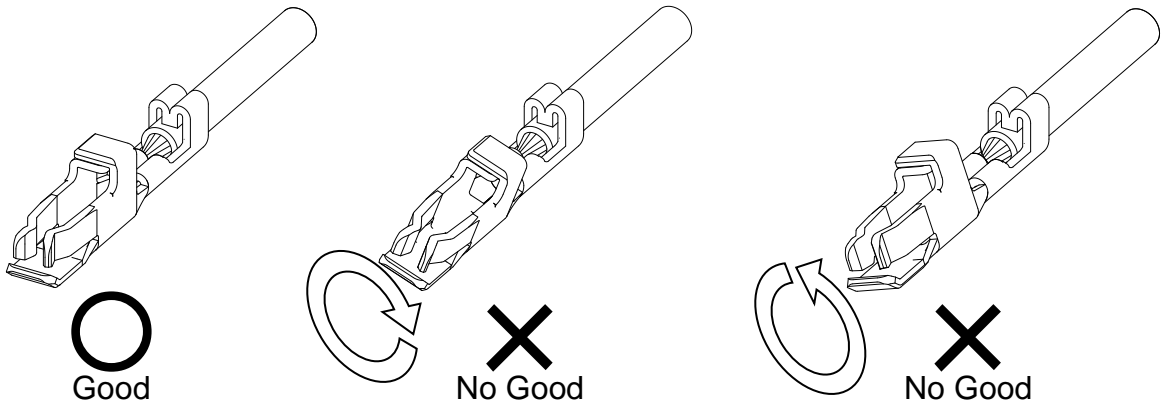
CUSTOMER
GENERAL MARKET

SHEET

11 OF 51

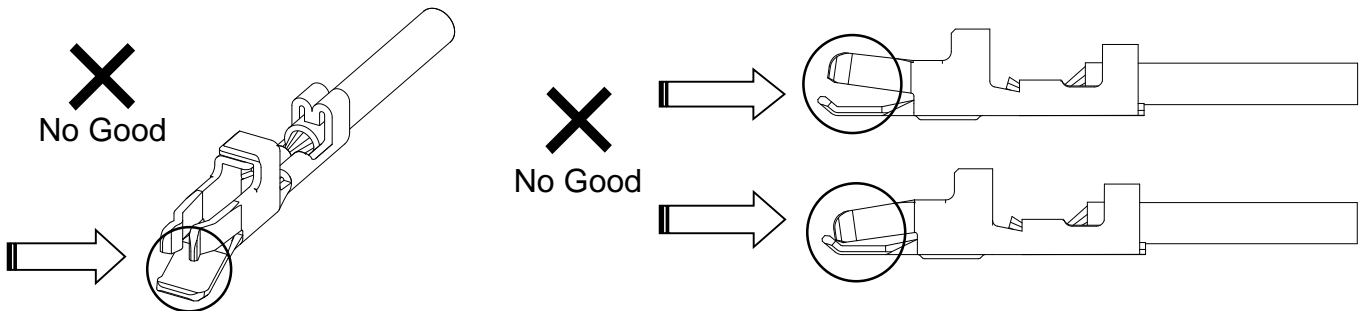
④ Rolling

It may deteriorate insertion to housing and terminal retention force or cause contact failure.



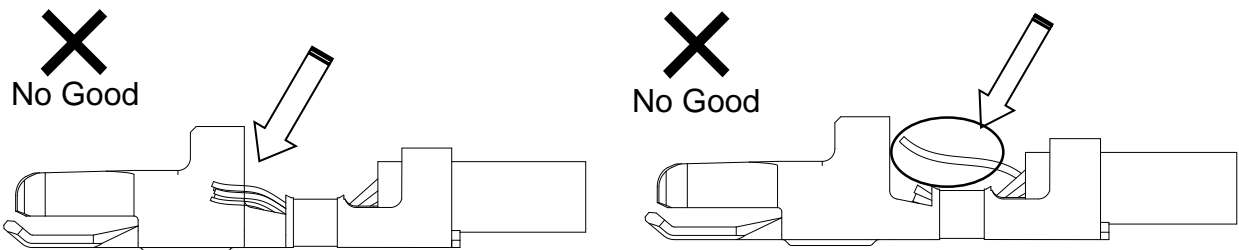
⑤ Crush and deformation of contact area and contact box

It may deteriorate insertion to housing and terminal retention force or cause contact failure.



⑥ Wire strands are not inside the conductor barrel

It may deteriorate insertion to housing and cause contact failure.

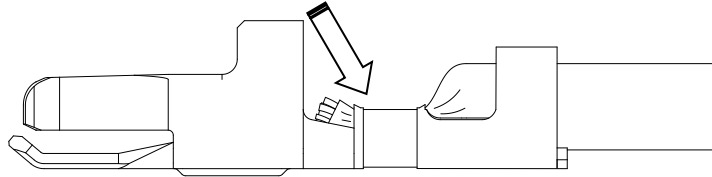


REVISE ON PC ONLY		TITLE: Micro-Lock PLUS 1.25 W/B SINGLE ROW CONNECTORS			
B	SEE SHEET 1 OF 51				
REV.	DESCRIPTION	THIS DOCUMENT CONTAINS INFORMATION THAT IS PROPRIETARY TO MOLEX ELECTRONIC TECHNOLOGIES, LLC AND SHOULD NOT BE USED WITHOUT WRITTEN PERMISSION			
DOCUMENT NUMBER AS-505565-001		DOC. TYPE PS	DOC. PART 001	CUSTOMER GENERAL MARKET	SHEET 12 OF 51
EN-127(2015-12)					

⑦ Crimping position: Too front

It may cause breaking of wire, deterioration of wire crimping strength and disconnection by crimping insulator.

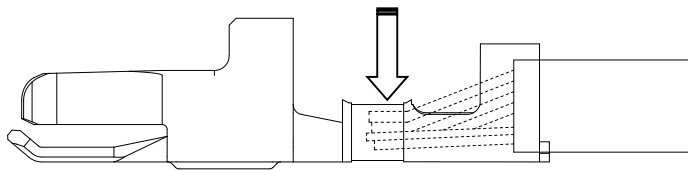
✗
No Good



⑧ Crimping position: Too back

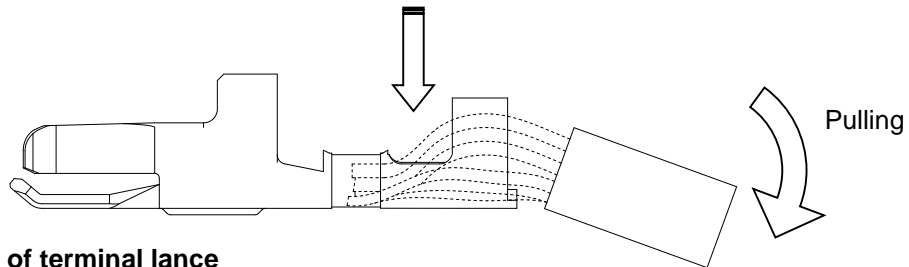
It may cause deterioration of wire crimping strength and disconnection by not having enough crimping margin.

✗
No Good



As wire insulation is not crimped completely, wire insulation falls off easily when wire is pulled.

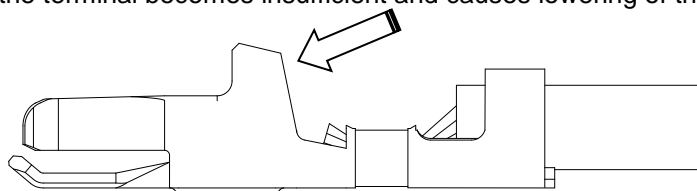
✗
No Good



⑨ Deformation of terminal lance

Locking of the terminal becomes insufficient and causes lowering of the terminal retention force.

✗
No Good



Deformation (Crushed)

REVISE ON PC ONLY		TITLE: Micro-Lock PLUS 1.25 W/B SINGLE ROW CONNECTORS			
B	SEE SHEET 1 OF 51				
REV.	DESCRIPTION	THIS DOCUMENT CONTAINS INFORMATION THAT IS PROPRIETARY TO MOLEX ELECTRONIC TECHNOLOGIES, LLC AND SHOULD NOT BE USED WITHOUT WRITTEN PERMISSION			
DOCUMENT NUMBER AS-505565-001		DOC. TYPE PS	DOC. PART 001	CUSTOMER GENERAL MARKET	SHEET 13 OF 51
EN-127(2015-12)					

[5. Wire bundling after crimping and package]

Please check for damaged terminal and wire insulation, when bundling wires.
 Please check for the quantity per packing-box.
 Do not over pack crimped wires in a box as there is risk of damaging terminals.

Instruction

- ※When bundling wires, please be careful not to apply excessive force to terminals.
- ※When packing bundled harnesses after processing in package box, in order for force not to be applied to connector for a long period of time by piling up, please put product alternately (cross shape) in a fitting box. **(Fig.5-2)**
- ※ Please lay buffer material on the bottom and top of the package box.
 In order to avoid applying force to connector for a long period of time by stacking the wires, please lay buffer material. **(Fig.5-2)**

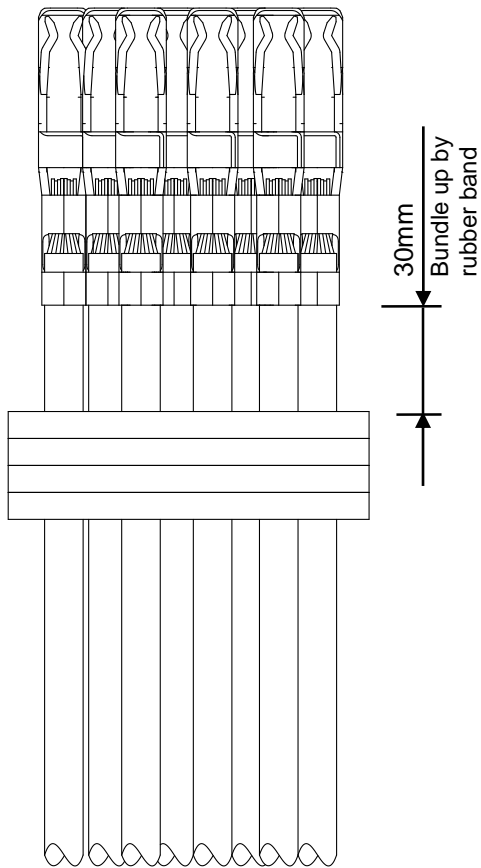


Fig. 5-1

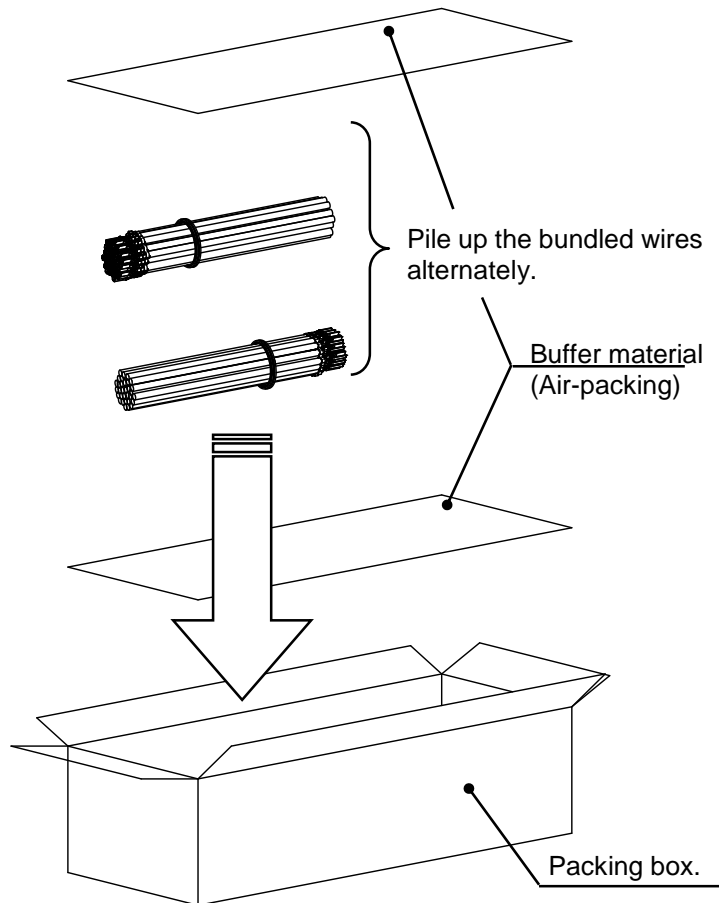


Fig. 5-2

REVISE ON PC ONLY		TITLE: Micro-Lock PLUS 1.25 W/B SINGLE ROW CONNECTORS			
B	SEE SHEET 1 OF 51				
REV.	DESCRIPTION	THIS DOCUMENT CONTAINS INFORMATION THAT IS PROPRIETARY TO MOLEX ELECTRONIC TECHNOLOGIES, LLC AND SHOULD NOT BE USED WITHOUT WRITTEN PERMISSION			
DOCUMENT NUMBER AS-505565-001		DOC. TYPE PS	DOC. PART 001	CUSTOMER GENERAL MARKET	SHEET 14 OF 51
EN-127(2015-12)					

[6. Harness processing (crimping wire insertion method in Receptacle housing)]

Insertion procedure and instructions (※) of the crimping wire are shown as follows:

6-1. Insertion of crimping wire

- ① Hold receptacle housing by pinching right and left side.
- ② Please hold the cable at about 10mm away from the crimp-end with a finger lightly.

Instruction

- ※ If you hold the wire at a position distant from terminal, wires will be easily bent and it may be difficult to insert.
 - ※ Distance value depends on wire gauge, UL, etc. Please confirm with the wire that you chose before using.
- ③ Hold the terminal lance part toward center of receptacle housing and insert terminal slowly and straightly till the tip of terminal touches housing (with force of 4.9N MAX). (Fig.6-1)

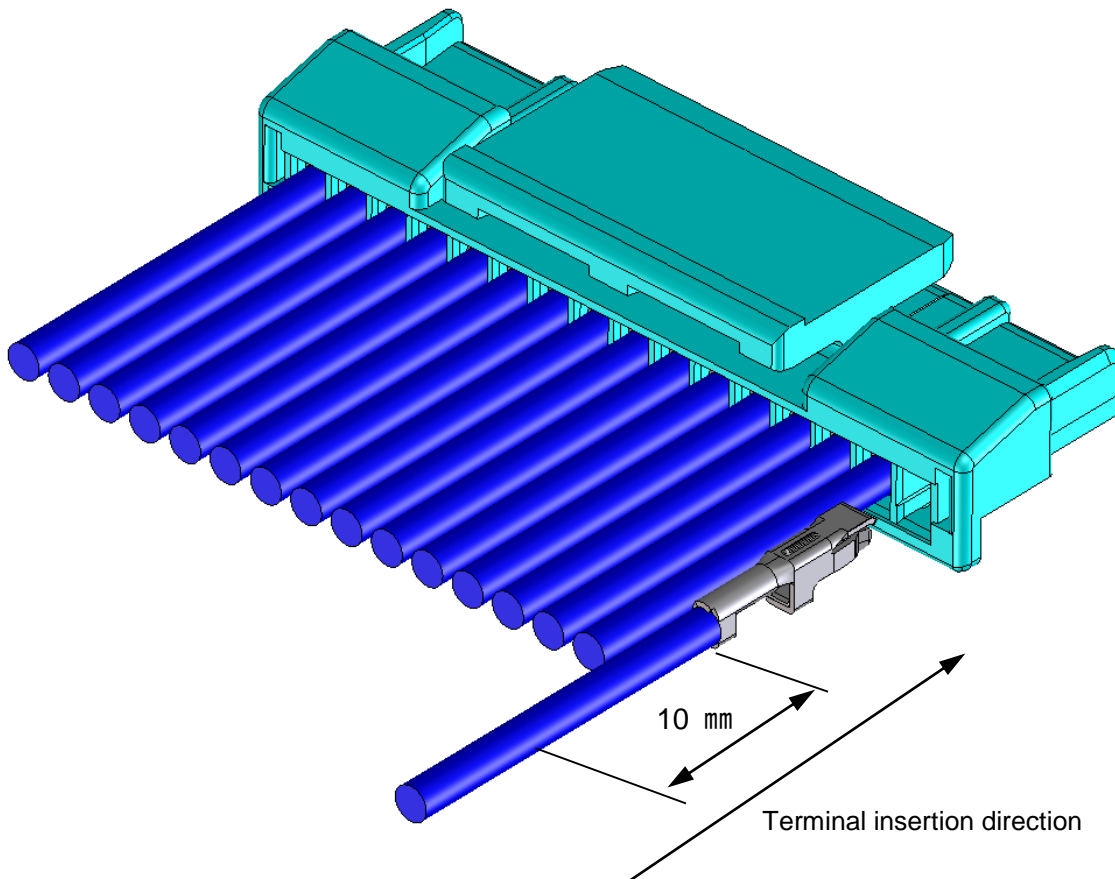
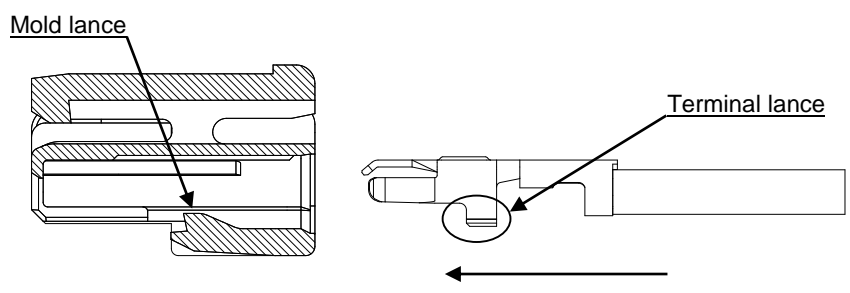


Fig. 6-1

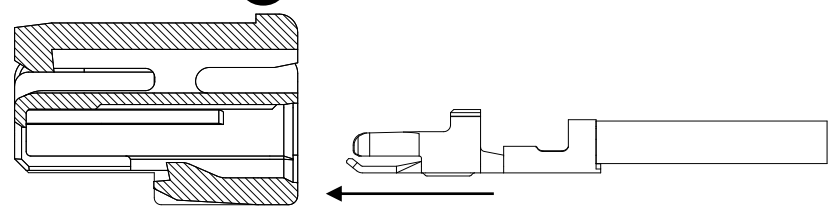
REVISE ON PC ONLY		TITLE:		
B	SEE SHEET 1 OF 51	Micro-Lock PLUS 1.25 W/B SINGLE ROW CONNECTORS		
REV.	DESCRIPTION	THIS DOCUMENT CONTAINS INFORMATION THAT IS PROPRIETARY TO MOLEX ELECTRONIC TECHNOLOGIES, LLC AND SHOULD NOT BE USED WITHOUT WRITTEN PERMISSION		
DOCUMENT NUMBER AS-505565-001		DOC. TYPE PS	DOC. PART 001	CUSTOMER GENERAL MARKET
				SHEET 15 OF 51
EN-127(2015-12)				

Instruction

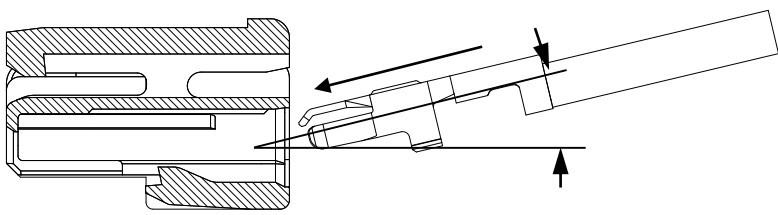
- ※ If crimping height and width are too large, there is a problem for the terminal insertion. Please follow the instructed crimping height.
- ※ If you feel unusual such as hooking during the insertion, please do not continue by force. After confirming there is no damage of terminal or receptacle housing, it can be inserted again. If the damage is found, do not use the terminal and receptacle housing.
- ※ Please use care with the direction of terminal when inserting to receptacle housing. **(Fig.6-2,6-3)** Please be careful that the terminal is not upside down, not having an angle, or not rotated 5 degrees max against receptacle housing. These may cause terminal deformation or damage to receptacle housing.



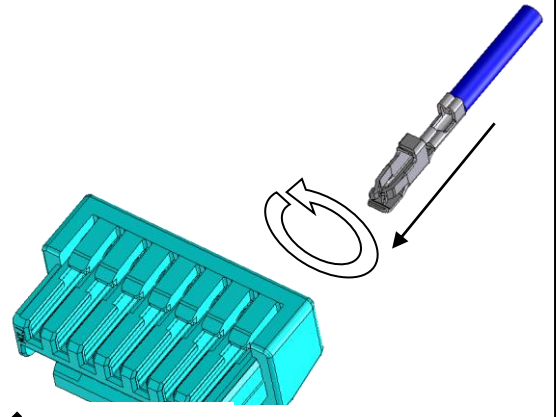
○ Fig.6-2 Right insertion direction



✗ Upside down direction



✗ Having an angle

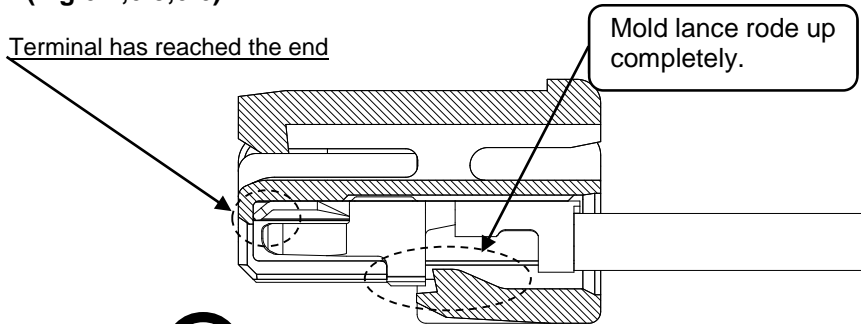


✗ Rotated

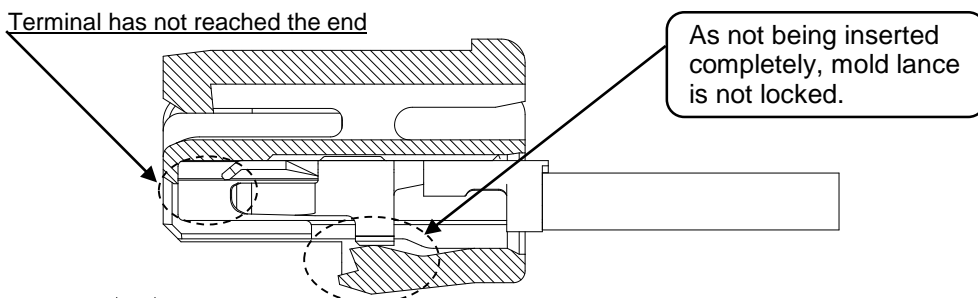
Fig.6-3 Inappropriate insertion direction

REVISE ON PC ONLY		TITLE:		
B	SEE SHEET 1 OF 51	Micro-Lock PLUS 1.25 W/B SINGLE ROW CONNECTORS		
REV.	DESCRIPTION	THIS DOCUMENT CONTAINS INFORMATION THAT IS PROPRIETARY TO MOLEX ELECTRONIC TECHNOLOGIES, LLC AND SHOULD NOT BE USED WITHOUT WRITTEN PERMISSION		
DOCUMENT NUMBER AS-505565-001		DOC. TYPE PS	DOC. PART 001	CUSTOMER GENERAL MARKET
				SHEET 16 OF 51

- ④ After inserting the terminal, please confirm if terminals are not pulled out from receptacle housing by pulling wires lightly (with about 100g force)
(Confirmation by excessive tension might break connector.)
- ⑤ After inserting all terminals, please confirm the position of terminal lance part by looking through window of receptacle mold lance. If they are inserted correctly, terminal lance is at the position where terminal lance rode up mold lance properly and you can confirm clearance by shaking them axially lightly.
(Fig.6-4,6-5,6-6)



○ Fig.6-4 The case of correct insertion



✕ Fig.6-5 The case of incomplete insertion

※If they are inserted correctly, terminal lance is at the position where terminal lance rode up mold lance properly and you can confirm clearance by shaking them axially lightly.

Instruction

※If terminal is inserted incompletely, terminal lance is not locked with mold lance and terminal is not retained.

※In the area of incomplete insertion(see Fig.6-5), terminal lance is transformed the most. (Therefore, mold lance of harness with such condition is transformed and not go back to correct position, resulting in degradation of retention force even though it is re-inserted.) In this case, please be sure to change with a new terminal.

REVISE ON PC ONLY		TITLE: Micro-Lock PLUS 1.25 W/B SINGLE ROW CONNECTORS			
B	SEE SHEET 1 OF 51				
REV.	DESCRIPTION	THIS DOCUMENT CONTAINS INFORMATION THAT IS PROPRIETARY TO MOLEX ELECTRONIC TECHNOLOGIES, LLC AND SHOULD NOT BE USED WITHOUT WRITTEN PERMISSION			
DOCUMENT NUMBER AS-505565-001		DOC. TYPE PS	DOC. PART 001	CUSTOMER GENERAL MARKET	SHEET 17 OF 51

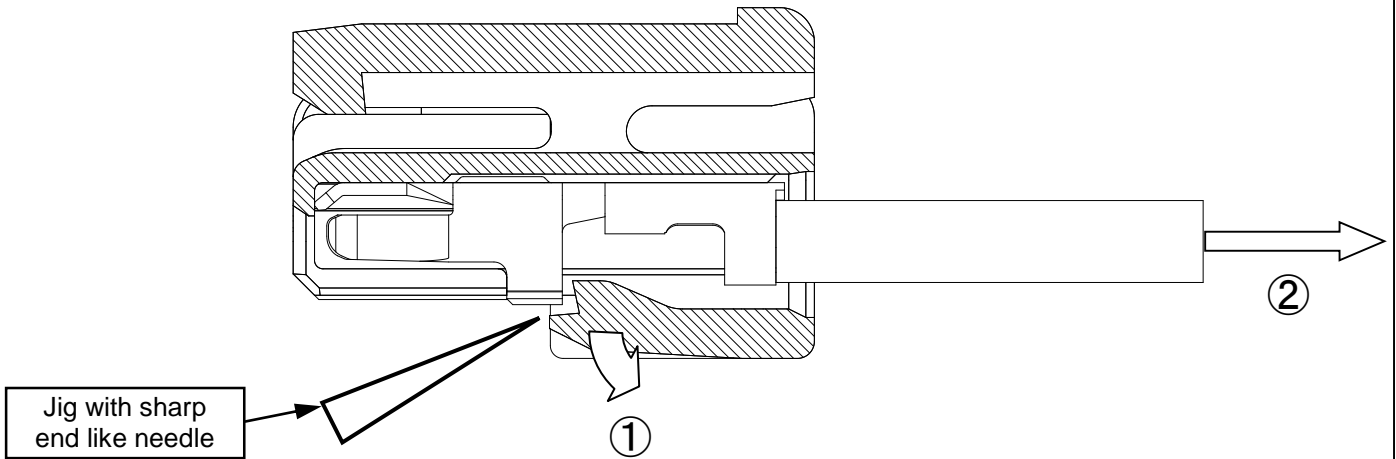
- ⑥ When checking harness after processing, please avoid bending wire excessively or with tension. That might cause contact failure because force was added to terminal crimping part or receptacle housing lance part.
- ⑦ When having a conduction check, do not attach anything besides applicable mating connector. That might cause contact failure because of transformation of terminal etc.

6-2. Repair of crimp terminal

When you withdraw the crimp terminal inserted once, please withdraw it with raising mold lance using something sharp like needle.
 However, mold lance is transformed by being raised. As strength of the transformed lance decreases extremely, the terminal might come off easily from housing even if you insert it again. **Therefore, please be sure to change the receptacle housing to a new one when you repair crimp terminal.** Also, please use an appropriate magnifying glass and repair with caution.

※Please avoid pulling off terminal by force.

※When repairing, please be careful not to deform or scratch terminal lance.



REVISE ON PC ONLY		TITLE: Micro-Lock PLUS 1.25 W/B SINGLE ROW CONNECTORS			
B	SEE SHEET 1 OF 51				
REV.	DESCRIPTION	THIS DOCUMENT CONTAINS INFORMATION THAT IS PROPRIETARY TO MOLEX ELECTRONIC TECHNOLOGIES, LLC AND SHOULD NOT BE USED WITHOUT WRITTEN PERMISSION			
DOCUMENT NUMBER AS-505565-001		DOC. TYPE PS	DOC. PART 001	CUSTOMER GENERAL MARKET	SHEET 18 OF 51
EN-127(2015-12)					

[7. Banding of harness]

When banding harness after processing, please be careful with the following point.

- ① Please bundle the wires at more than 50mm away from connector and uniformize the force applied to each wire. (Fig.7-1)
- ② As for the harness, please do not apply force to only one wire (or a few particular wires). (Fig.7-2)

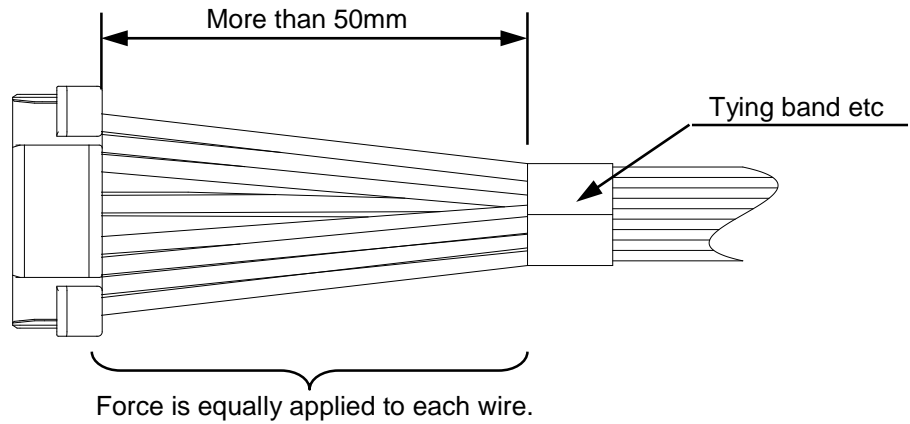


Fig.7-1 Harness is bundled properly

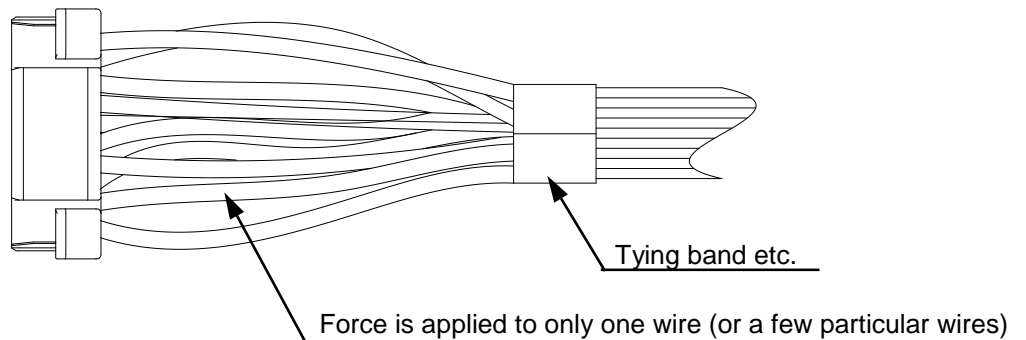


Fig.7-2 Harness is bundled improperly

Instruction

※When harness is tangled with each other, please do not pull them by force. That might cause damage to connector because extreme force is applied to terminal and it may come off from connector.

※Please do not drop the product or hit it against other objects.

REVISE ON PC ONLY		TITLE: Micro-Lock PLUS 1.25 W/B SINGLE ROW CONNECTORS			
B	SEE SHEET 1 OF 51				
REV.	DESCRIPTION	THIS DOCUMENT CONTAINS INFORMATION THAT IS PROPRIETARY TO MOLEX ELECTRONIC TECHNOLOGIES, LLC AND SHOULD NOT BE USED WITHOUT WRITTEN PERMISSION			
DOCUMENT NUMBER AS-505565-001		DOC. TYPE PS	DOC. PART 001	CUSTOMER GENERAL MARKET	SHEET 19 OF 51
EN-127(2015-12)					

[8. Recommended packaging of cable harness and assemblies]

When packing harness after processing, procedure and instruction (※) are shown below.

- ① Bundle the harness after processing. **Please band 20 harness at most in one bunch.**

Instruction

※When bundle the harness, in order to avoid applying excessive force constantly, please do not use anything that fastens tightly such as rubber band. Please band at the center (at one point) with vinyl string. Please take measure to protect connector from shock or load by wrapping each bunch of connector with air packing **(Fig.8-1)**

When some harness is banded, each connector contact and part of lock might be loaded. In that case, deformation of lock part etc. might cause defective performance because the lock being down all the time.

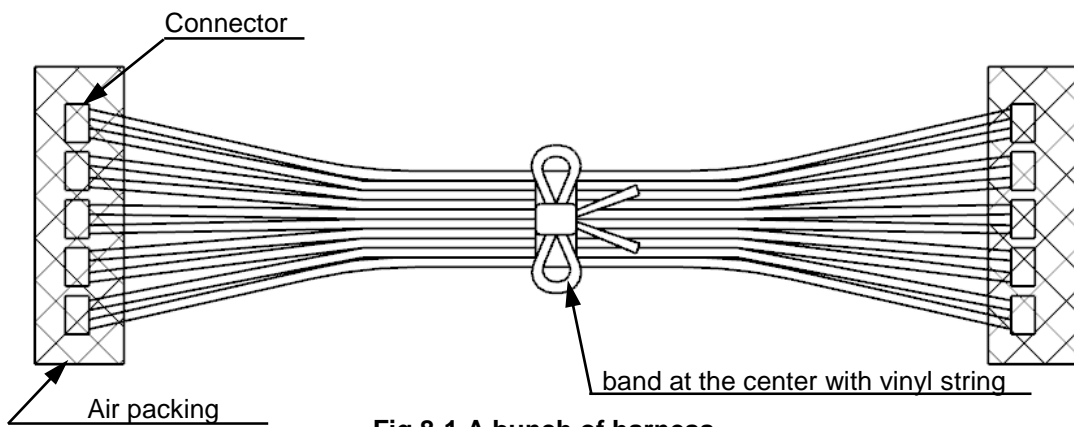


Fig.8-1 A bunch of harness

REVISE ON PC ONLY		TITLE: Micro-Lock PLUS 1.25 W/B SINGLE ROW CONNECTORS			
B	SEE SHEET 1 OF 51				
REV.	DESCRIPTION	THIS DOCUMENT CONTAINS INFORMATION THAT IS PROPRIETARY TO MOLEX ELECTRONIC TECHNOLOGIES, LLC AND SHOULD NOT BE USED WITHOUT WRITTEN PERMISSION			
DOCUMENT NUMBER AS-505565-001		DOC. TYPE PS	DOC. PART 001	CUSTOMER GENERAL MARKET	SHEET 20 OF 51

② Put banded harness into carton box.

Figure below (Fig 8-2) is one of examples for recommended reference. Please take measure not to add force to connector for a long period of time by stacking if you pack by different packing method for long harness.

Instruction

※When packing bundle of harness after processing in a package box, please follow instructed packaging and avoid applying excessive load or force to harnesses. (cross shape) (Fig.8-2 ①)

※Please lay air packing etc. on the bottom of package box. In order to prevent force from applying to connectors for a long time by piling up package boxes, please lay air packing etc. (Fig.8-2 ②)

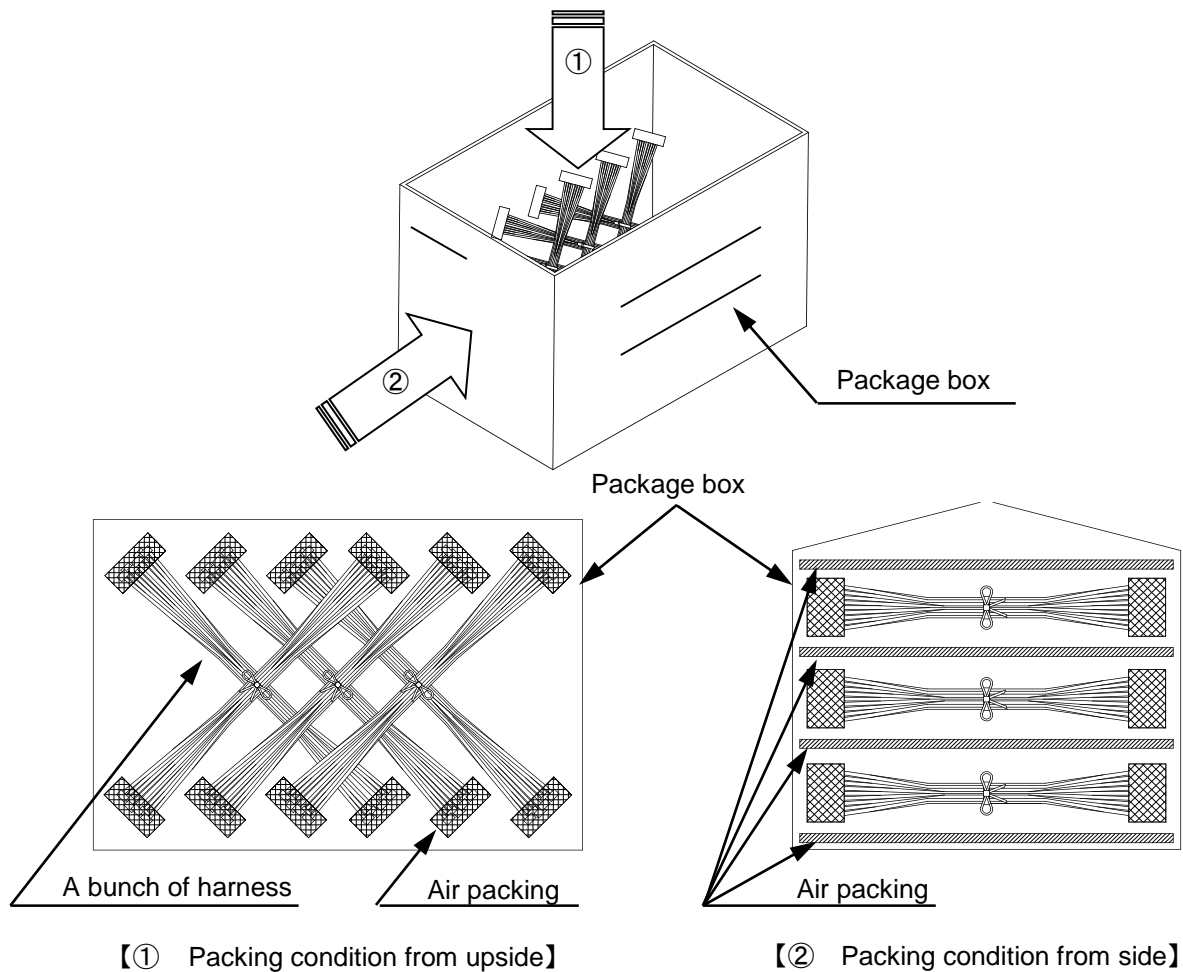


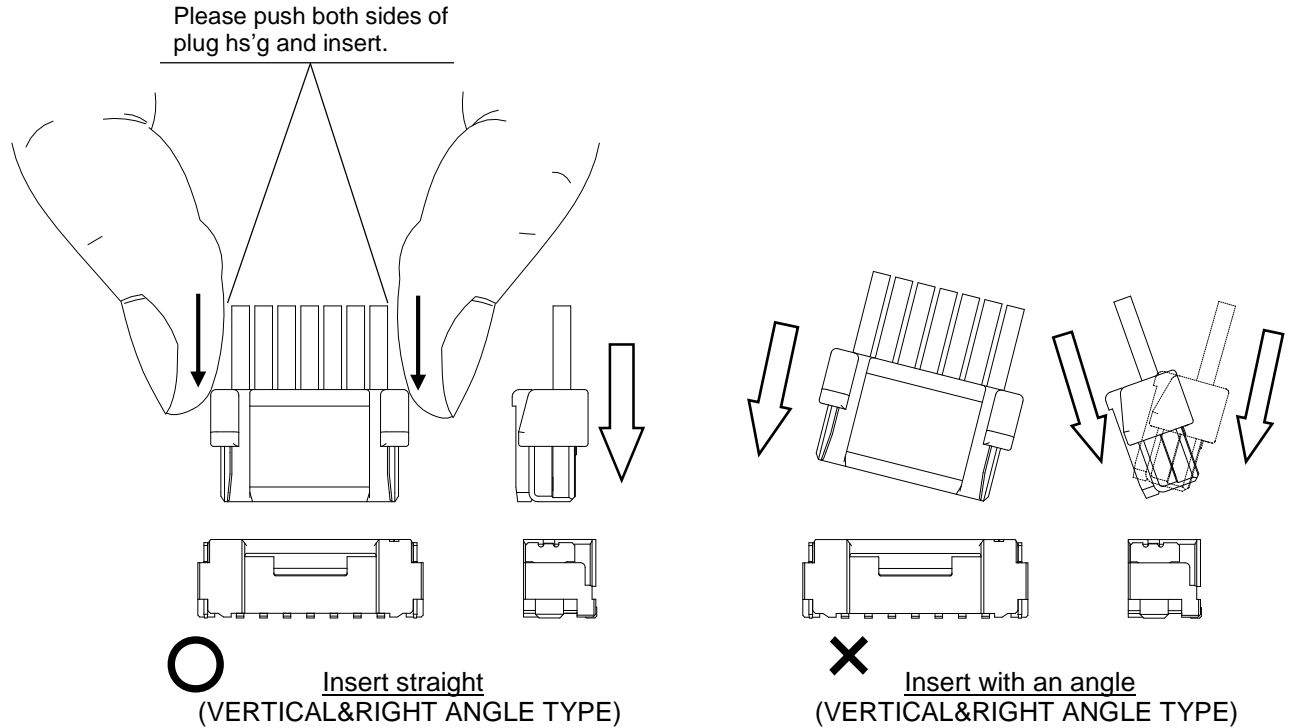
Fig.8-2 Packing condition

REVISE ON PC ONLY		TITLE: Micro-Lock PLUS 1.25 W/B SINGLE ROW CONNECTORS			
B	SEE SHEET 1 OF 51				
REV.	DESCRIPTION	THIS DOCUMENT CONTAINS INFORMATION THAT IS PROPRIETARY TO MOLEX ELECTRONIC TECHNOLOGIES, LLC AND SHOULD NOT BE USED WITHOUT WRITTEN PERMISSION			
DOCUMENT NUMBER AS-505565-001		DOC. TYPE PS	DOC. PART 001	CUSTOMER GENERAL MARKET	SHEET 21 OF 51

[9. Instruction when mating with Plug assembly]

9-1. Mating process method

Please set mating direction of receptacle housing (harness side) and plug housing (PLUG side), and push both sides of receptacle housing to pitch direction (as shown with arrows) **until both connectors meet each other (complete mating position)**. After mating, please confirm that 2 friction locks are fastened completely.



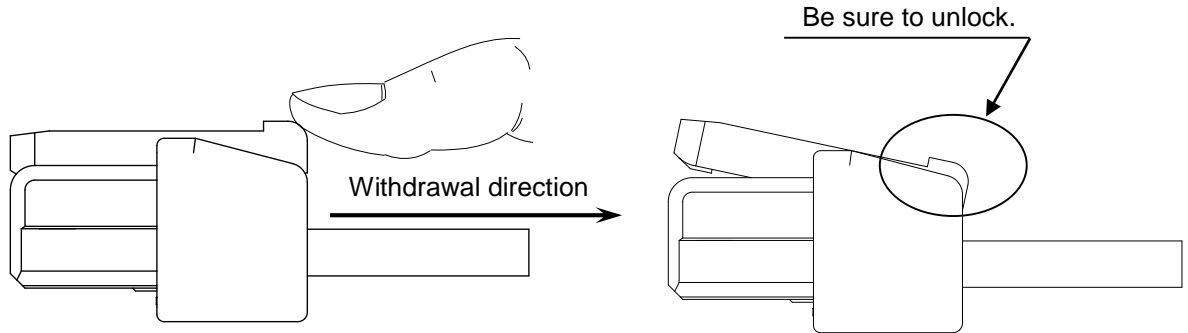
Instruction

- ※When mating, please do not push positive lock of receptacle housing. It might cause damage by being applied excessive load by correct movement of lock part riding up the catching part is prevented.
- ※Please push receptacle housing and insert it straightly until they touch each other. Connectors mating will end up in straight direction even if it is inserted with an angle. However, if you insert it gradually with an angle intentionally, it may cause only one side locked as elastic receptacle housing is deformed during the inserion. (Especially in multiple circuits)
- ※If you can not insert smoothly, please insert again after confirming if there is no transformation of terminal and receptacle housing etc.

REVISE ON PC ONLY		TITLE: Micro-Lock PLUS 1.25 W/B SINGLE ROW CONNECTORS			
B	SEE SHEET 1 OF 51				
REV.	DESCRIPTION	THIS DOCUMENT CONTAINS INFORMATION THAT IS PROPRIETARY TO MOLEX ELECTRONIC TECHNOLOGIES, LLC AND SHOULD NOT BE USED WITHOUT WRITTEN PERMISSION			
DOCUMENT NUMBER AS-505565-001		DOC. TYPE PS	DOC. PART 001	CUSTOMER GENERAL MARKET	SHEET 22 OF 51
EN-127(2015-12)					

9-2. Recommended un-mating method

Please hold wires all together lightly. After releasing lock completely by attaching fingers to the lock and pushing bar for releasing lock using flat part of finger, please withdraw receptacle housing slowly, axially and straightly. Please avoid withdrawing them with an angle and roughly. That might cause damage to connector.



Instruction

※Please do not withdraw with holding only a few particular wires. As excessive force is applied to particular terminals, connector might be damaged or terminal might come off.

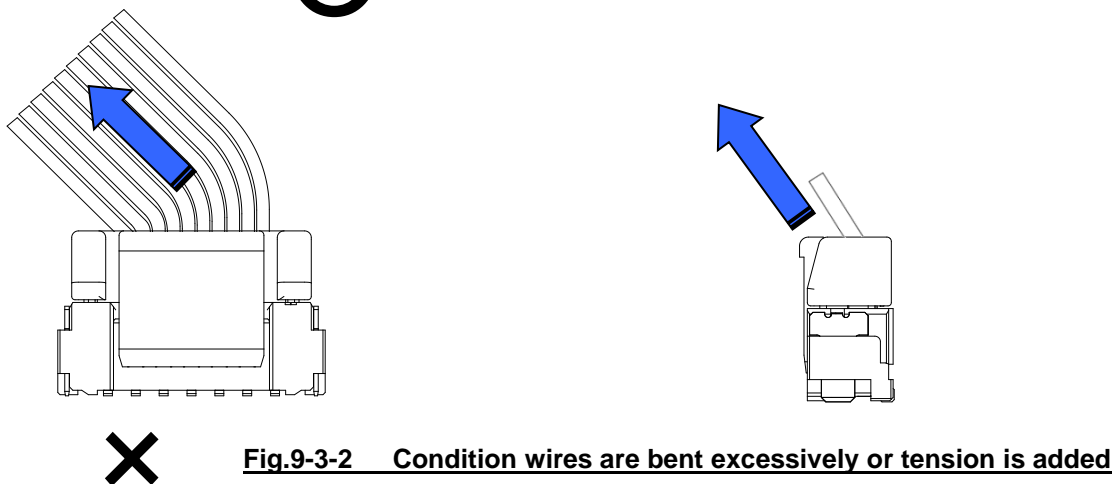
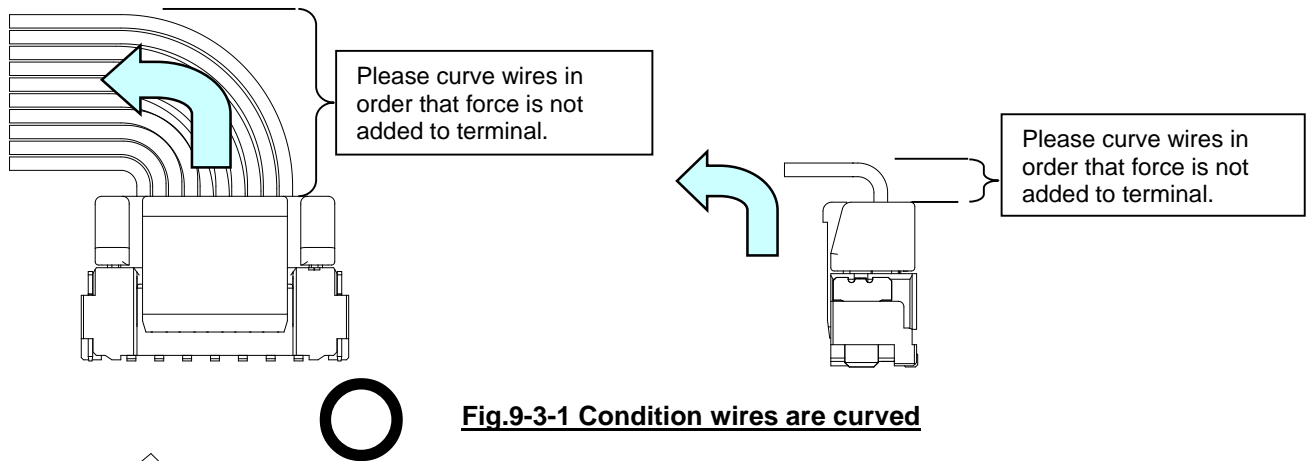
※When releasing lock, Please push bar for releasing lock with flat part of finger, not only with fingertip(nail tip). If finger nail is too long, it might catch lock protection wall.

REVISE ON PC ONLY		TITLE: Micro-Lock PLUS 1.25 W/B SINGLE ROW CONNECTORS			
B	SEE SHEET 1 OF 51				
REV.	DESCRIPTION	THIS DOCUMENT CONTAINS INFORMATION THAT IS PROPRIETARY TO MOLEX ELECTRONIC TECHNOLOGIES, LLC AND SHOULD NOT BE USED WITHOUT WRITTEN PERMISSION			
DOCUMENT NUMBER AS-505565-001		DOC. TYPE PS	DOC. PART 001	CUSTOMER GENERAL MARKET	SHEET 23 OF 51
EN-127(2015-12)					

9-3. Wiring after mating

Instruction

- ※If you plan on pulling around wires inside machine, please take measures to prevent force from applying to connectors directly, such as allowing wires to have enough flexibility.(Fig.9-3-1)
- ※When pulling wires around inside actual machine, please do not use under the condition that wires are bent excessively or tension is added. That might be reason for terminal to be pulled out because force is added to terminal crimping zone or terminal insertion portion of receptacle by wire tension. Especially, please prevent force from being applied to only a few particular wire. (Fig.9-3-2)
- ※If force is added to one particular wire, wire(crimp terminal) might be pulled off.
- ※Wire routing inside customer’s device needs to avoid excessive stress. Please avoid pulling them toward more than 2 directions. (Fig.9-3-3)
- ※If you plan on special wiring inside customer’s device, please contact us before using. (Fig9-3-2/9-3-3 etc.)



REVISE ON PC ONLY		TITLE: Micro-Lock PLUS 1.25 W/B SINGLE ROW CONNECTORS			
B	SEE SHEET 1 OF 51				
REV.	DESCRIPTION	THIS DOCUMENT CONTAINS INFORMATION THAT IS PROPRIETARY TO MOLEX ELECTRONIC TECHNOLOGIES, LLC AND SHOULD NOT BE USED WITHOUT WRITTEN PERMISSION			
DOCUMENT NUMBER AS-505565-001		DOC. TYPE PS	DOC. PART 001	CUSTOMER GENERAL MARKET	SHEET 24 OF 51

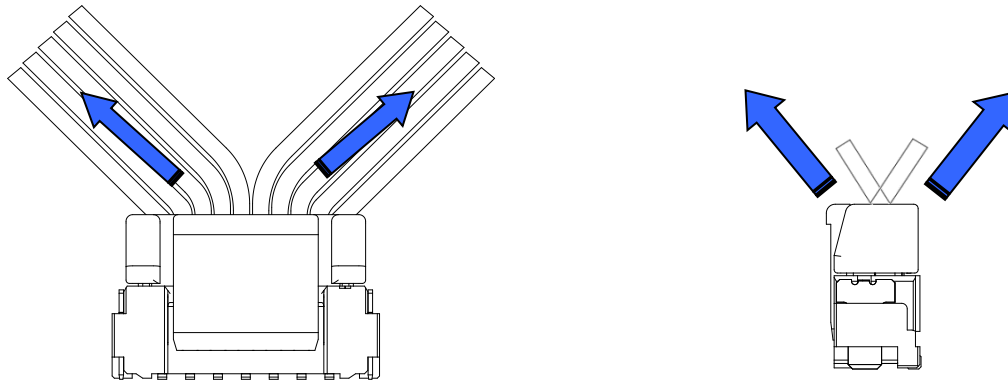


Fig.9-3-3 Wiring toward more than 2 direction.

REVISE ON PC ONLY		TITLE: Micro-Lock PLUS 1.25 W/B SINGLE ROW CONNECTORS			
B	SEE SHEET 1 OF 51				
REV.	DESCRIPTION	THIS DOCUMENT CONTAINS INFORMATION THAT IS PROPRIETARY TO MOLEX ELECTRONIC TECHNOLOGIES, LLC AND SHOULD NOT BE USED WITHOUT WRITTEN PERMISSION			
DOCUMENT NUMBER AS-505565-001		DOC. TYPE PS	DOC. PART 001	CUSTOMER GENERAL MARKET	SHEET 25 OF 51
EN-127(2015-12)					

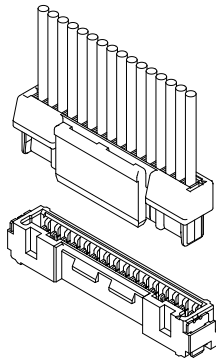
コネクタ 取扱説明書

1.25mm PITCH W/B CONN. SINGLE TYPE

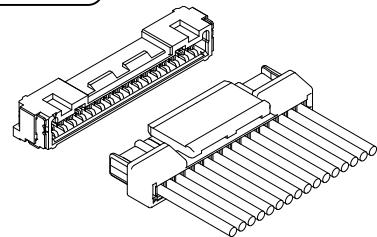
【1.適用製品】

	製品名称		製品型番
ハーネス側	リセプタクル ハウジング		505565 シリーズ 204532 シリーズ
	リセプタクル ターミナル		5054311*00
	適用電線 (※)		AWG#26~30
	適用圧着機 (※)		5781463410
基板側	プラグ アッセンブリ	バーティカルタイプ	505568 シリーズ 204530 シリーズ 梱包形態：キャリアテープ梱包
		ライトアングルタイプ	505567 シリーズ 204529 シリーズ 梱包形態：キャリアテープ梱包

バーティカル
タイプ



ライトアングル
タイプ



—はじめに—

- ・本コネクタを御使用頂く前に必ず御一読頂き十分に理解した上、正しくご使用下さい。
- ・本書はいつでも参照できるように、お手元に大切に保管して下さい。
- ・本書中の表示及びイラストは印刷の為、実物と異なることが御座います。
- ・本書の内容に関しては、予告無しに変更する場合がございます。
- ・本書の内容については、万全を期して作成致しておりますが、万が一御不審な点や誤りなど、お気づきのことが御座いましたら弊社担当まで御連絡下さい。

REVISE ON PC ONLY

B

SEE SHEET 1 OF 51

TITLE:

Micro-Lock PLUS 1.25 W/B
SINGLE ROW CONNECTORS

THIS DOCUMENT CONTAINS INFORMATION THAT IS PROPRIETARY TO MOLEX ELECTRONIC TECHNOLOGIES, LLC AND SHOULD NOT BE USED WITHOUT WRITTEN PERMISSION

REV.

DESCRIPTION

DOCUMENT NUMBER

AS-505565-001

DOC. TYPE

PS

DOC. PART

001

CUSTOMER

GENERAL MARKET

SHEET

26 OF 51

目次

1. 適用製品	P-26
2. 使用上の注意事項	
2-1. 製品外観について	P-28
2-2. 適用電線及び工具について	P-28
2-3. ハーネス及び実装作業前の保管について	P-28
2-4. ハーネス及び実装作業時に於ける注意事項	P-29～30
2-5. 機器内での使用について	P-30
2-6. 定格・性能規格について	P-30～31
2-7. 使用用途	P-31
3. 各部の名称及び説明	
3-1. リセプタクル ターミナル(圧着端子)各部の名称及び機能	P-32
3-2. ハーネス各部の名称及び機能	P-33
3-3. プラグアッセンブリ各部の名称及び機能(パーティカルタイプ)	P-34
3-3. プラグアッセンブリ各部の名称及び機能(ライトアングルタイプ)	P-34
4. 端子圧着加工について	
4-1. 圧着前の外観確認項目	P-35
4-2. 圧着後の外観確認項目	P-35
4-2. 圧着不良について	P-35～38
5. 圧着後の電線結束および梱包について	P-39
6. リセプタクルハウジングへの圧着端子装着(ハーネス作業)方法	
6-1. 圧着端子装着について	P-40～43
6-2. 圧着端子のリペアについて	P-43
7. ハーネス結束について	P-44
8. ハーネス梱包について	P-45～46
9. 基板側コネクタとの嵌合時に於ける注意事項	
9-1. 推奨挿入方法	P-47
9-2. 推奨抜去方法	P-48
9-3. 嵌合後の電線の引き回しについて	P-49～50

REVISE ON PC ONLY		TITLE: Micro-Lock PLUS 1.25 W/B SINGLE ROW CONNECTORS			
B	SEE SHEET 1 OF 51				
REV.	DESCRIPTION	THIS DOCUMENT CONTAINS INFORMATION THAT IS PROPRIETARY TO MOLEX ELECTRONIC TECHNOLOGIES, LLC AND SHOULD NOT BE USED WITHOUT WRITTEN PERMISSION			
DOCUMENT NUMBER AS-505565-001		DOC. TYPE PS	DOC. PART 001	CUSTOMER GENERAL MARKET	SHEET 27 OF 51
EN-127(2015-12)					

【2.使用上の注意事項】

2-1. 製品外観について

- ① 本製品のプラスチック部に黒点、気泡等が確認される場合や色合いが異なる場合（経年変化によるハウジングの変色を含む）がありますが、製品性能には影響御座いません。
- ② 本製品のめっき部外観に摺動痕がつく場合が御座いますが、製品性能に影響は御座いません。
- ③ フロー条件によっては、樹脂部の変色や端子めっき部にヨリが発生する場合が御座いますが、製品性能に影響は御座いません。
- ④ 実装機によってコネクタに負荷が加わると変形、破損する場合が御座いますので事前に御確認下さい。

2-2. 適用電線及び工具について

- ① 適用範囲外（電線サイズ、絶縁被覆径など）の電線を御検討される場合、保証の対象外となるため事前に御相談下さい。
- ② 当社指定工具（圧着工具等）以外の御使用における不具合発生に関しては、保証の対象外とさせていただきます。
- ③ コネクタの適用電線は、原則として錫めっき付軟銅撚り線です。その他の電線の使用については別途ご確認下さい。

2-3. ハーネス及び実装作業前の保管について

- ① 製品は弊社箱詰め梱包状態にて直射日光の当たらない屋内、年間を通じ、常温常湿の条件化での保管をお願いします。材料劣化による破損、変色等の原因となります。
- ② 製品保管の際には外力が掛からないよう保管願います。（納入状態からの詰め替え等）製品の噛み込み、変形等の原因となります。
- ③ 製品の移動時及び搬送時には落下や衝撃による外力を加えないように御注意願います。製品の噛み込み、変形等の原因となります。
- ④ 在庫品は先入れ・先出しを実施して下さい。
- ⑤ 使用前まで弊社実施の梱包形態を維持して下さい。

REVISE ON PC ONLY		TITLE: Micro-Lock PLUS 1.25 W/B SINGLE ROW CONNECTORS	<small>THIS DOCUMENT CONTAINS INFORMATION THAT IS PROPRIETARY TO MOLEX ELECTRONIC TECHNOLOGIES, LLC AND SHOULD NOT BE USED WITHOUT WRITTEN PERMISSION</small>		
B	SEE SHEET 1 OF 51				
REV.	DESCRIPTION				
DOCUMENT NUMBER AS-505565-001		DOC. TYPE PS	DOC. PART 001	CUSTOMER GENERAL MARKET	SHEET 28 OF 51
EN-127(2015-12)					

2-4. ハーネス及び実装作業時に於ける注意事項

- ① リセプタクルハウジング及び端子、圧着条件、適用電線が弊社製品図面に合致しているかを事前に確認して下さい。(弊社製品図面が揃っていない場合は、弊社営業に御要求下さい。)
- ② 本製品を使用する上で端子コンタクトボックス等に変形、汚れ(異物付着)等のあるものは使用しないで下さい。リセプタクルハウジングへの挿入性や電氣的な性能を満足出来なくなる原因となります。
- ③ 端子には直接手で触れること無きよう、御注意願います。(皮脂、汗等の汚れがめっき面に悪影響を与え、電氣的な性能が満足出来ない原因となります。)
- ④ 圧着前後において端子が絡まっている状態で、無理に端子を引っ張らないで下さい。端子を変形させる原因となります。
- ⑤ リセプタクルハウジング及び端子、加工工程品や加工品(ハーネス等)には、外力を加えないで下さい。製品が変形し、コネクタの性能を満足出来なくなる原因となります。
- ⑥ リセプタクルハウジング及び端子、加工工程品や加工品(ハーネス等)は、ゴミ(埃等)、腐食性物質、腐食性ガス、高温多湿及び直射日光に曝さないで下さい。接触不良や端子の腐食及びハウジングの絶縁性能劣化等の原因となり、機器の動作不良の原因となります。箱等への保管の御配慮をお願い致します。
- ⑦ 本製品及び加工工程品(仕掛品)や加工品(ハーネス等)の梱包及び輸送・保管時にはコネクタに負荷が加わらないようご注意ください。変形、破損などの原因となり、コネクタの性能不良の原因となります。
- ⑧ ハーネス加工品の電線の引き回しの際、引張りによる力が加わりますと、接点部、結線部(圧着部)やロック部(端子ロック部)が損傷を受け、接触不良の原因となります。電線の引直し配線をされる場合、コネクタに無理な外力が加わらないように、電線に緩みを持たせ、余裕を持たせる処置をして下さい。
- ⑨ リセプタクルハウジング及び端子を故意に変形させないで下さい。製品性能が満足出来ない原因となります。
- ⑩ 袋詰め梱包の製品を開封した際には当日に使い切るようお願い致します。周囲の雰囲気による過度な乾燥や吸湿等、材料の劣化の原因となる恐れがあります。(使い切ることが無理な場合は、袋の口を再度シーリングし、箱に保管を行う等のご配慮をお願い致します。)
- ⑪ 本コネクタを取り扱う際、金属部などのエッジ部での怪我には御注意願います。
- ⑫ リール端子を取り扱う際、端子やリールの中間紙などで手を切るなどの怪我には御注意願います。
- ⑬ 本製品の一般性能確認はリジット基板にて実施しております。フレキシブル基板等の特殊な基板へ実装する場合は事前に実装確認等を行った上でご使用願います。
- ⑭ はんだ実装部の未はんだは、ピン抜け、ピン間ショート、ピン座屈、またコネクタの基板からの外れが懸念されます。従って全てのソルダータールにはんだ付けを行って下さい。
- ⑮ 弊社の推奨基板パターン寸法を変更して設計を行なう際は、致命的な不良の原因にもなりますのであらかじめご相談下さい。
- ⑯ コネクタ嵌合状態で基板の持ち運び等コネクタに負荷が掛かる作業は行わないようにして下さい。コネクタ破損等の原因となる場合が御座います。
- ⑰ 基板実装後に基板を直接積み重ねない様に注意して下さい。

REVISE ON PC ONLY		TITLE:		
B	SEE SHEET 1 OF 51	Micro-Lock PLUS 1.25 W/B SINGLE ROW CONNECTORS		
REV.	DESCRIPTION	THIS DOCUMENT CONTAINS INFORMATION THAT IS PROPRIETARY TO MOLEX ELECTRONIC TECHNOLOGIES, LLC AND SHOULD NOT BE USED WITHOUT WRITTEN PERMISSION		
DOCUMENT NUMBER AS-505565-001		DOC. TYPE PS	DOC. PART 001	CUSTOMER GENERAL MARKET
				SHEET 29 OF 51
EN-127(2015-12)				

- ⑱ 実装後においてはんだごてによる手修正を行う際は、必ず仕様書掲載の条件以内で行って下さい。条件を超えて実施した場合、ピン抜け、モールドの変形、溶融等、破損の原因になります。
- ⑲ はんだごてによる手修正を行なう際、過度のはんだやフラックスを使用しないで下さい。はんだ上がりやフラックス上がりにより接触、機能不良に至る場合があります。
- ⑳ フロー条件によっては、樹脂部の変色や端子めっき部にヨリが発生する場合がありますが御座います、製品性能に影響はございません。
- 21 ハーネス加工時及びハーネス品梱包時にハウジングとロックの隙間に電線が絡まない様に注意して下さい。また、ハウジングとロックの隙間に電線が絡んだ場合には電線を無理矢理引っ張らないで下さい。ロックが変形する場合があります。電線が絡んだ際にはロックに負荷が掛からない様注意して外して下さい。

2-5. 機器内での使用について

- ① 本製品をご使用時に取り付けられた電線・プリント基板の共振や、機器の回転構造や可動部分の動作によりコネクタ嵌合部(接点部)が常に動いてしまう状態での御使用は避けて下さい。接触部の摺動磨耗等による接触不良の原因となります。従って、機器内で電線・プリント基板を固定し、共振を抑える等の処置をお願い致します。
- ② コネクタのみで基板を支えることは避け、コネクタ以外での基板固定対策を行って下さい。
- ③ 基板実装前後にピンに触れないで下さい。
- ④ コネクタは極力嵌合軸に沿って挿入抜去を行ってください。斜め挿抜はコネクタ破損等の原因になる場合があります。
- ⑤ 嵌合後、コネクタピッチ方向、スパン方向及び回転方向への負荷がかかるような動作またはセットはしないで下さい。コネクタ破壊やはんだクラックを引き起こします。
- ⑥ コネクタ嵌合後の電線の引き回しの際、引張りによる力が加わりますと、接点部、結線部(圧着部)やロック部(端子ロック部)が損傷を受け、接触不良の原因となります。電線の引回し配線をされる場合、コネクタに無理な外力が加わらないように、電線に緩みを持たせ、余裕を持たせる処置をして下さい。
- ⑦ コネクタの嵌合を取り外す際は、必ずロックを解除して行って下さい。電線はまとめて軽く掴み、指全体で確実にロックを解除し、取り出して下さい。
- ⑧ 治具等を使用し、圧着端子を抜いた場合には、ランスが変形し強度が低下し端子を再装着後の端子保持力が低下します。そのため、圧着端子のリペアの際には新しいハウジングを必ずご使用下さい。

2-6. 定格・性能規格について

- ① 製品仕様書(5055650000 PS 000, 5055650002 PS 000, 2045320000-PS PS 000, 2045320000-PS PS 001)の定格・規格の範囲内で御使用下さい。
- ② 活電状態の電気回路で、挿入、抜去ができることを前提に作られておりません。スパーク等による危険の発生、性能不良につながりますので、活電状態での挿入、抜去はしないで下さい。
* 活電状態: 電気を流したまま挿抜を行うこと。
- ③ 実使用時には、その機器に関する設計基準を満足することを確認の上、御使用下さい。

REVISE ON PC ONLY		TITLE: Micro-Lock PLUS 1.25 W/B SINGLE ROW CONNECTORS			
B	SEE SHEET 1 OF 51				
REV.	DESCRIPTION	THIS DOCUMENT CONTAINS INFORMATION THAT IS PROPRIETARY TO MOLEX ELECTRONIC TECHNOLOGIES, LLC AND SHOULD NOT BE USED WITHOUT WRITTEN PERMISSION			
DOCUMENT NUMBER AS-505565-001		DOC. TYPE PS	DOC. PART 001	CUSTOMER GENERAL MARKET	SHEET 30 OF 51
EN-127(2015-12)					

- ④ 予測できないショート(短絡)の発生を防ぐため、コネクタに金属製のパネルや金属片等が接触しないように御配慮願います。
- ⑤ 本製品をご使用時には、1PIN当りの定格以上の電流を複数の回路に分岐しての使用は避けて下さい。

2-7. 使用用途

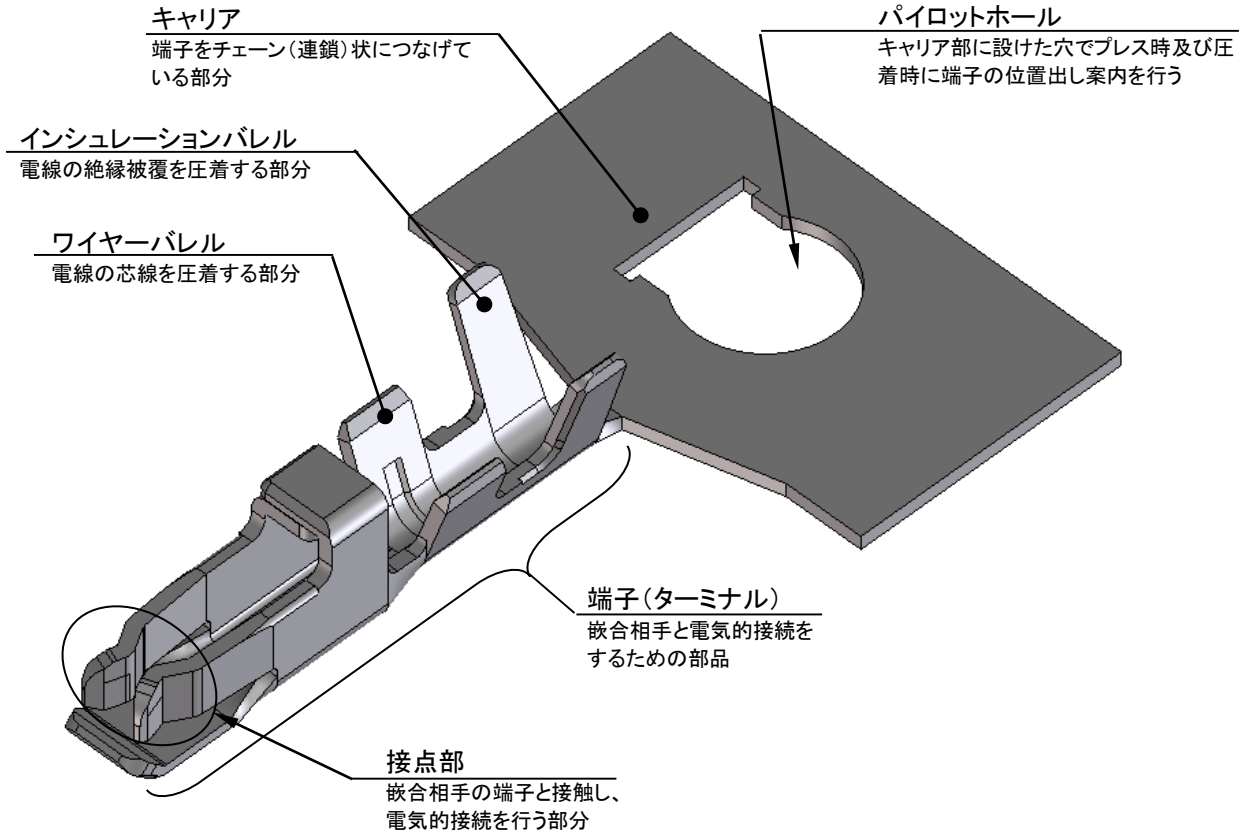
- ① 本製品は人命に関わるような状況下で使用される機器、あるいはシステムに用いられることを目的として設計、製造されたものではありません。本製品を医療用、航空宇宙用、原子力等の特殊用途への組み込みの御使用については当社に確認の上、御使用下さい。
- ② 自動車、船舶等への御使用を検討される場合は、必ず事前に御連絡下さい。
(仕様条件によって使用可能であるか検討させていただきます。)
- ③ 室外またはそれに相当する環境下での御使用は避けて下さい。

REVISE ON PC ONLY		TITLE: Micro-Lock PLUS 1.25 W/B SINGLE ROW CONNECTORS		
B	SEE SHEET 1 OF 51			
REV.	DESCRIPTION	THIS DOCUMENT CONTAINS INFORMATION THAT IS PROPRIETARY TO MOLEX ELECTRONIC TECHNOLOGIES, LLC AND SHOULD NOT BE USED WITHOUT WRITTEN PERMISSION		
DOCUMENT NUMBER AS-505565-001		DOC. TYPE PS	DOC. PART 001	CUSTOMER GENERAL MARKET
			SHEET 31 OF 51	
				EN-127(2015-12)

【3. 各部の名称及び説明】

本端子形状は連鎖状を示します

3-1. リセプタクルターミナル(圧着端子)各部の名称及び機能: 5054311*00



※ 製品形状及び寸法については弊社製品図面を参照願います。

5054311000-SD PSD 000
5054311100-SD PSD 000

—適用電線及び圧着機—

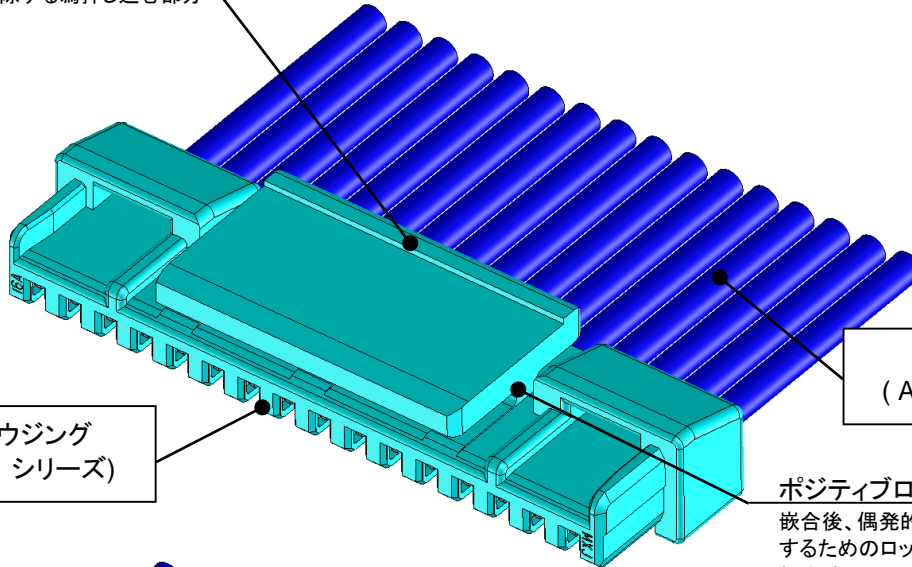
製品番号	電線サイズ	導体仕様	圧着機
5054311*00	AWG#26~30	錫めっき軟銅撚り線	5781463410

REVISE ON PC ONLY		TITLE:		
B	SEE SHEET 1 OF 51	Micro-Lock PLUS 1.25 W/B SINGLE ROW CONNECTORS		
REV.	DESCRIPTION	THIS DOCUMENT CONTAINS INFORMATION THAT IS PROPRIETARY TO MOLEX ELECTRONIC TECHNOLOGIES, LLC AND SHOULD NOT BE USED WITHOUT WRITTEN PERMISSION		
DOCUMENT NUMBER AS-505565-001		DOC. TYPE PS	DOC. PART 001	CUSTOMER GENERAL MARKET
				SHEET 32 OF 51
EN-127(2015-12)				

3-2. ハーネス各部の名称及び機能: 505565, 204532 シリーズ

ロック解除ポジション

ポジティブロックを解除する為押し込む部分

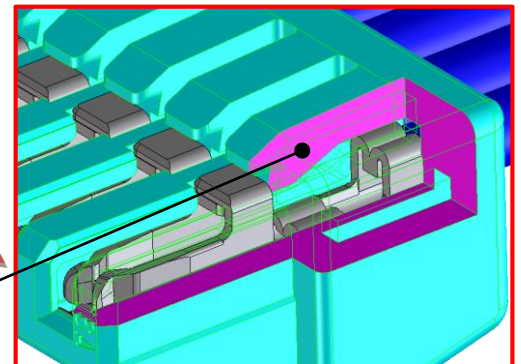
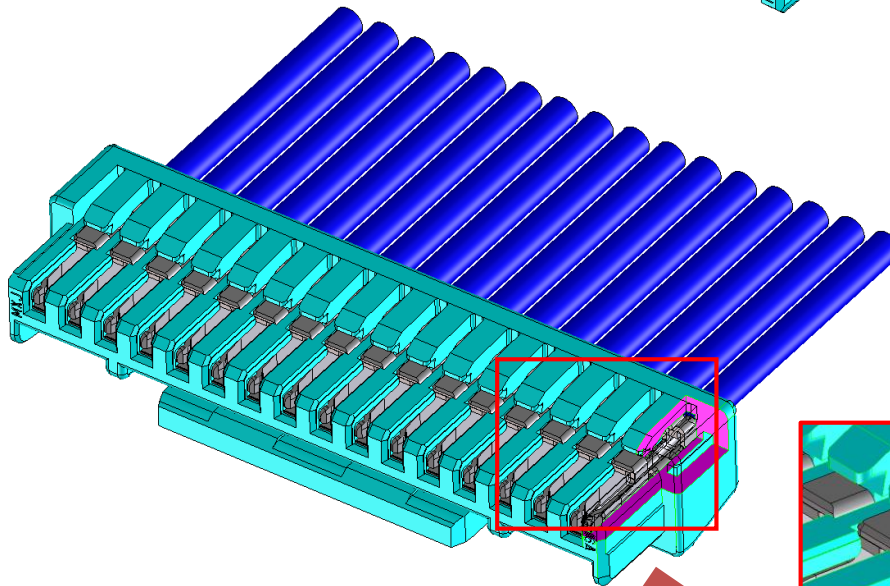


リセプタクル ハウジング
(505565, 204532 シリーズ)

電線
(AWG#26~#30)

ポジティブロック

嵌合後、偶発的に抜けないようにするためのロック機構。
抜去時にロック解除動作を必要とする



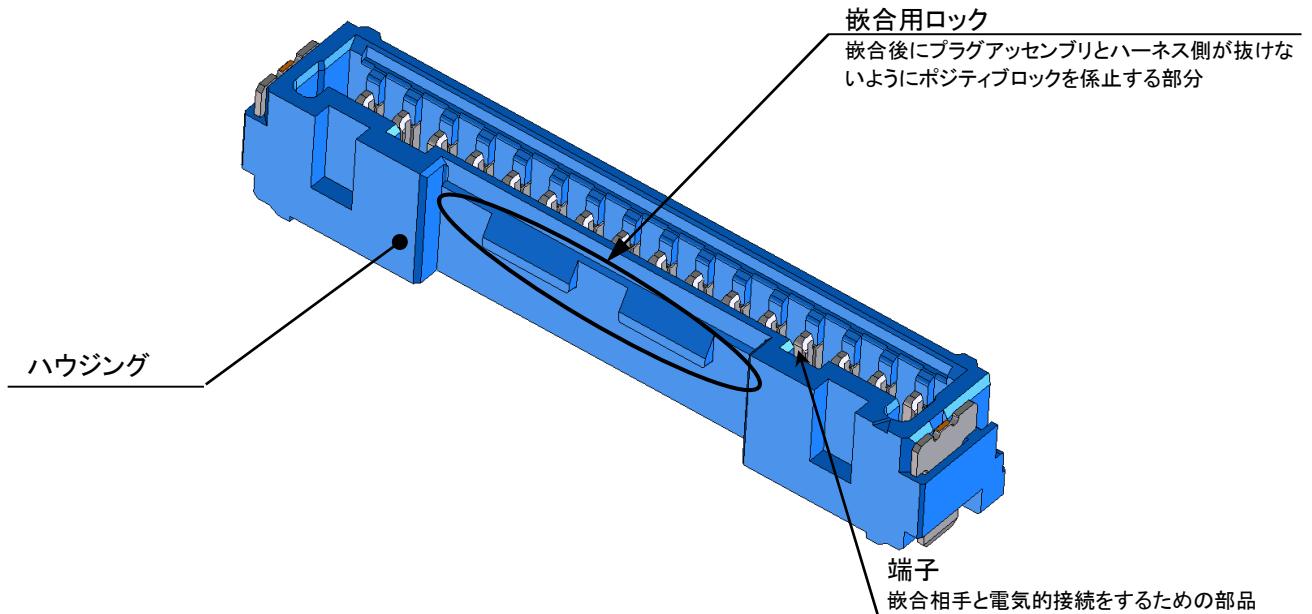
モーールドランス

ハウジングから端子を抜けないように引っ掛ける部分

※ 製品形状及び寸法については弊社製品図面を参照願います。
5055650002-SD PSD 000, 2045320000-SD PSD 000

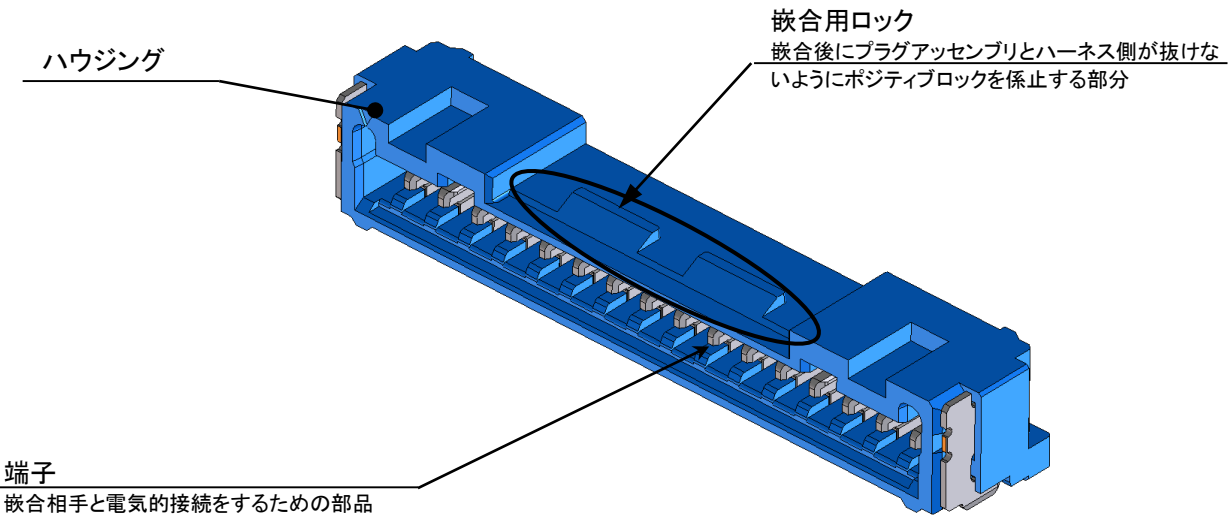
REVISE ON PC ONLY		TITLE:	
B	SEE SHEET 1 OF 51	Micro-Lock PLUS 1.25 W/B SINGLE ROW CONNECTORS	
REV.	DESCRIPTION	THIS DOCUMENT CONTAINS INFORMATION THAT IS PROPRIETARY TO MOLEX ELECTRONIC TECHNOLOGIES, LLC AND SHOULD NOT BE USED WITHOUT WRITTEN PERMISSION	
DOCUMENT NUMBER	DOC. TYPE	DOC. PART	CUSTOMER
AS-505565-001	PS	001	GENERAL MARKET
			SHEET
			33 OF 51
EN-127(2015-12)			

3-3. プラグアッセンブリ各部の名称及び機能: 505568, 204530 シリーズ(パーティカルタイプ)



※ 製品形状及び寸法については弊社製品図面を参照願います。
5055680000-SD PSD 000, 5055680010-SD PSD 000,
2045300000-SD PSD 000, 2045300001-SD PSD 000, 2045300002-SD PSD 000

3-4. プラグアッセンブリ各部の名称及び機能: 505567, 204529シリーズ(ライトアングルタイプ)



※ 製品形状及び寸法については弊社製品図面を参照願います。
5055670000-SD PSD 000, 5055670010-SD PSD 000,
2045290000-SD PSD 000

REVISE ON PC ONLY		TITLE: Micro-Lock PLUS 1.25 W/B SINGLE ROW CONNECTORS			
B	SEE SHEET 1 OF 51				
REV.	DESCRIPTION	THIS DOCUMENT CONTAINS INFORMATION THAT IS PROPRIETARY TO MOLEX ELECTRONIC TECHNOLOGIES, LLC AND SHOULD NOT BE USED WITHOUT WRITTEN PERMISSION			
DOCUMENT NUMBER AS-505565-001		DOC. TYPE PS	DOC. PART 001	CUSTOMER GENERAL MARKET	SHEET 34 OF 51
EN-127(2015-12)					

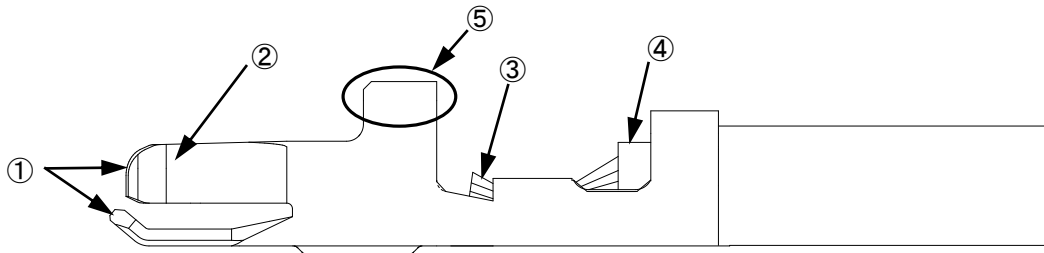
【4. 端子圧着加工について】

4-1. 圧着前の外観確認項目

圧着前において、外観の変形、コンタクトボックスの潰れ等が無いことを確認し、御使用下さい。
また、端子同士が絡んでいる場合、無理に引き剥がさないで下さい。変形等の原因となります。
尚、製品形状及び寸法については弊社製品図面を参照願います。
: 5054311000-SD PSD 000, 5054311100-SD PSD 000

4-2. 圧着後の外観確認項目

圧着加工後の外観確認項目及び圧着不良について、下記に示します。圧着時の参考として下さい。



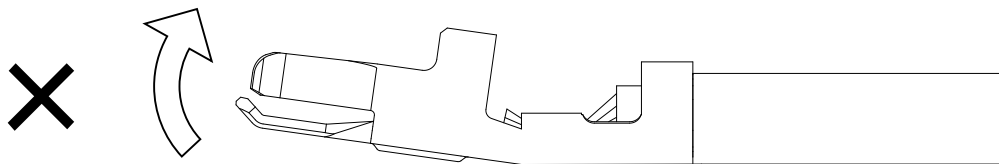
- ⑦ 変形が無く、真っ直ぐになっている。
- ⑧ 接点部及びコンタクトボックスの潰れ、変形が無い。
- ⑨ 芯線がワイヤーバレルより出ている、端子の外側に飛び出していない。
- ⑩ 電線の絶縁被覆ストリップ部分がワイヤーバレルとインシュレーションバレルのほぼ中間に位置している。
- ⑪ モールドランス係部に変形が無い。
- ⑫ その他、外観に異常なきこと。(汚れ/異物付着など)

4-3. 圧着不良について

下記に示す圧着不良はリセプタクルハウジングへの挿入作業及び製品機能に影響を与えますので、特に御注意願います。

① バンドアップ

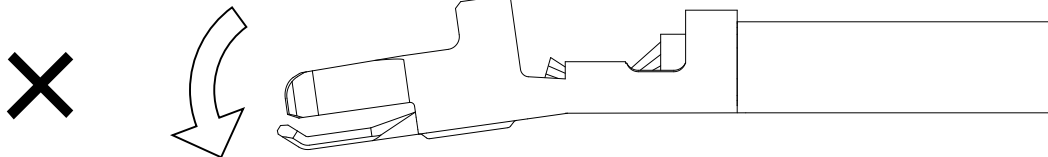
ハウジングへの挿入性及び保持力の低下、また電氣的に接触しないなどの接触信頼性低下の原因となります。



REVISE ON PC ONLY		TITLE:	
B	SEE SHEET 1 OF 51	Micro-Lock PLUS 1.25 W/B SINGLE ROW CONNECTORS	
REV.	DESCRIPTION	THIS DOCUMENT CONTAINS INFORMATION THAT IS PROPRIETARY TO MOLEX ELECTRONIC TECHNOLOGIES, LLC AND SHOULD NOT BE USED WITHOUT WRITTEN PERMISSION	
DOCUMENT NUMBER	DOC. TYPE	DOC. PART	CUSTOMER
AS-505565-001	PS	001	GENERAL MARKET
			SHEET
			35 OF 51
EN-127(2015-12)			

② ベンドダウン

ハウジングへの挿入性及び保持力の低下、また電氣的に接触しないなどの接触信頼性低下の原因となります。



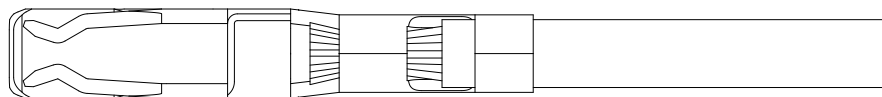
不可

③ ツイスト

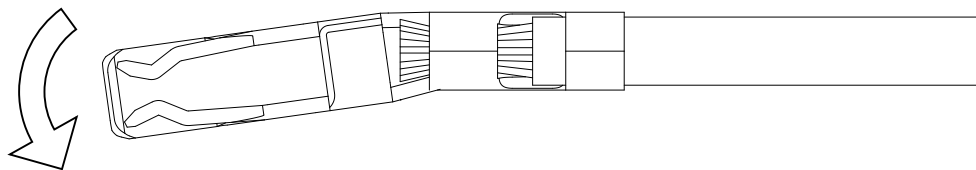
ハウジングへの挿入性及び保持力の低下、また電氣的に接触しないなどの接触信頼性低下の原因となります。



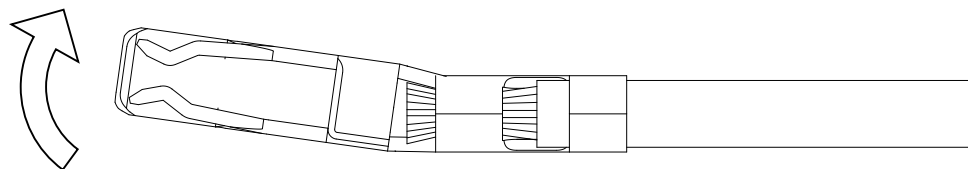
良好



不可



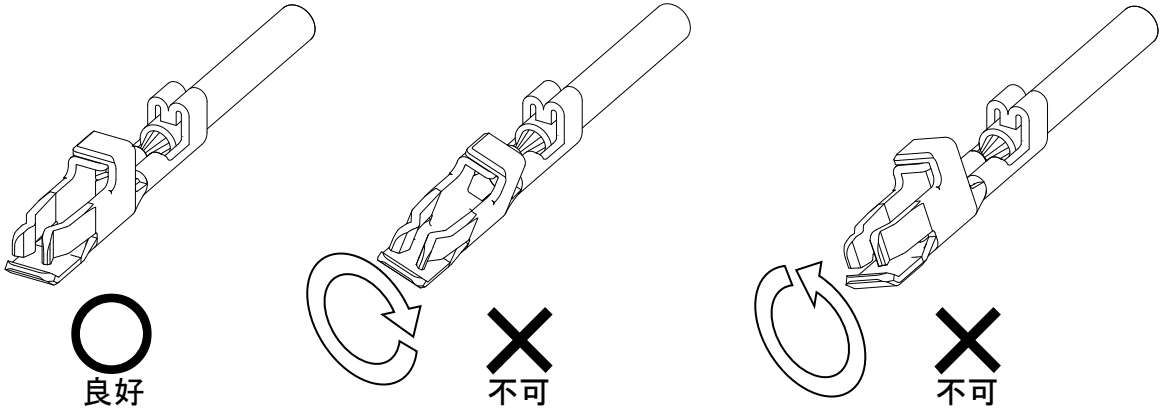
不可



REVISE ON PC ONLY		TITLE: Micro-Lock PLUS 1.25 W/B SINGLE ROW CONNECTORS			
B	SEE SHEET 1 OF 51				
REV.	DESCRIPTION	THIS DOCUMENT CONTAINS INFORMATION THAT IS PROPRIETARY TO MOLEX ELECTRONIC TECHNOLOGIES, LLC AND SHOULD NOT BE USED WITHOUT WRITTEN PERMISSION			
DOCUMENT NUMBER AS-505565-001		DOC. TYPE PS	DOC. PART 001	CUSTOMER GENERAL MARKET	SHEET 36 OF 51
EN-127(2015-12)					

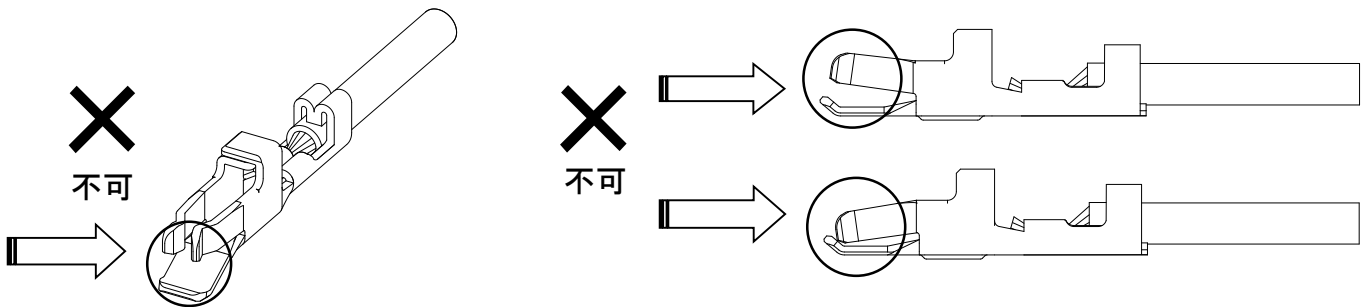
④ ローリング

ハウジングへの挿入性及び保持力の低下、また電氣的に接触しないなどの接触信頼性低下の原因となります。



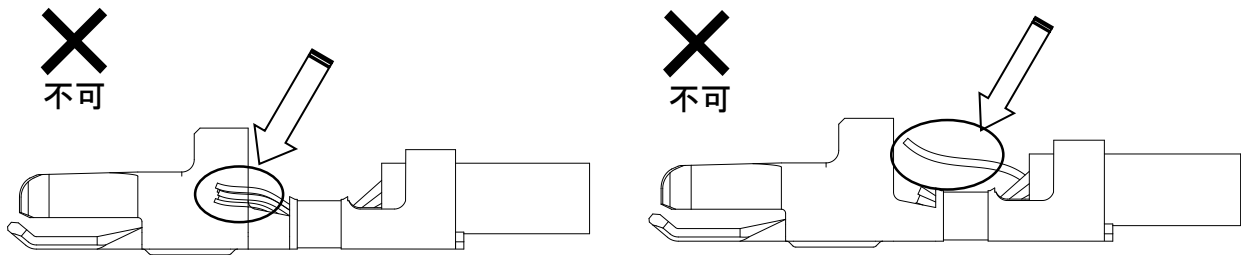
⑤ 接点部及びコンタクトボックスの潰れ、変形

ハウジングへの挿入性及び保持力の低下、また電氣的に接触しないなどの接触信頼性低下の原因となります。



⑥ 芯線はみだし

ハウジングへの挿入時に於ける作業性の低下、接触信頼性の低下の原因となります。



REVISE ON PC ONLY

B

SEE SHEET 1 OF 51

TITLE:

Micro-Lock PLUS 1.25 W/B
SINGLE ROW CONNECTORS

REV.

DESCRIPTION

THIS DOCUMENT CONTAINS INFORMATION THAT IS PROPRIETARY TO MOLEX ELECTRONIC TECHNOLOGIES, LLC AND SHOULD NOT BE USED WITHOUT WRITTEN PERMISSION

DOCUMENT NUMBER

AS-505565-001

DOC. TYPE

PS

DOC. PART

001

CUSTOMER
GENERAL MARKET

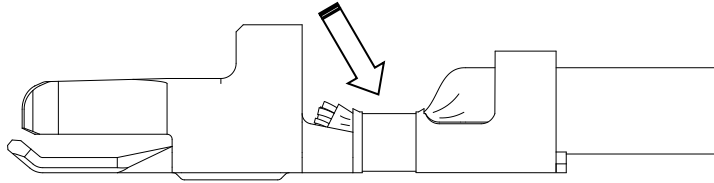
SHEET

37 OF 51

⑦ 電線圧着位置—前過ぎ

断線、圧着部の引張り強度の低下や、ワイヤーパレルにて電線被覆を圧着した場合、電氣的に通電しないなど性能を満足出来なくなる原因となります。

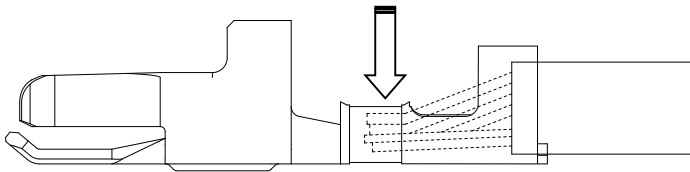
✕
不可



⑧ 電線圧着位置—後ろ過ぎ

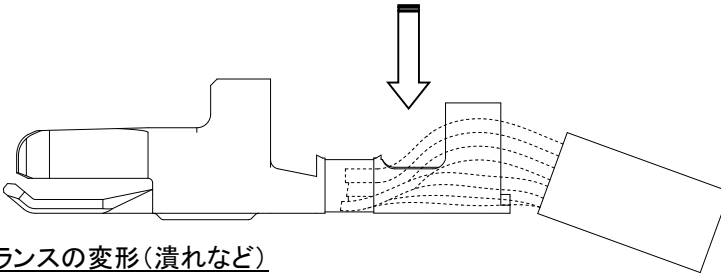
圧着がパレル内側で行われるため、圧着部の引張り強度が低下してしまう恐れや、また、電氣的に通電しないなど性能を満足できない原因となります。

✕
不可



被覆がインシュレーションパレル全体で保持されていないため、電線を軽く引き回した際、芯線が容易に露出してしまふ。

✕
不可

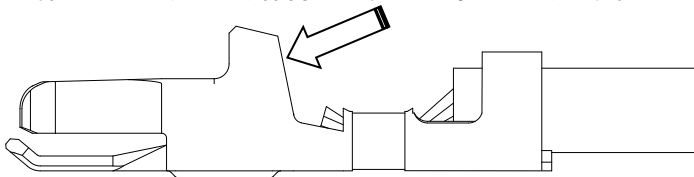


引き回し

⑨ ターミナルランスの変形(潰れなど)

ハウジングの係止が不十分となり保持力の低下の原因となります。

✕
不可



変形 (潰れ)

REVISE ON PC ONLY

B

SEE SHEET 1 OF 51

TITLE:

Micro-Lock PLUS 1.25 W/B
SINGLE ROW CONNECTORS

THIS DOCUMENT CONTAINS INFORMATION THAT IS PROPRIETARY TO MOLEX ELECTRONIC TECHNOLOGIES, LLC AND SHOULD NOT BE USED WITHOUT WRITTEN PERMISSION

REV.

DESCRIPTION

DOCUMENT NUMBER

AS-505565-001

DOC. TYPE

PS

DOC. PART

001

CUSTOMER

GENERAL MARKET

SHEET

38 OF 51

【5. 圧着後の電線結束および梱包について】

圧着後の電線加工品を束ねる際には絡みによる端子の変形・傷・電線の被覆破れ等が発生しないよう御配慮をお願いします。

(輪ゴム等で結束する際には端子圧着部から30mm程度の位置にての結束を推奨いたします。**Fig.5-1**)

又、加工後梱包箱への詰込みを行う際には詰込み過多による製品変形等も考えられますので1箱あたりの梱包重量についても御配慮願います。

注意事項

※加工品の束を梱包箱に入れる際、積み重ねによる荷重等の負荷が端子へ直接長時間加わらない様、交互に重ねるなどして下さい。(Fig.5-2)

※梱包箱底面および上面には、緩衝材等を敷いて下さい。また、段積みによる荷重等の負荷が端子へ直接長時間加わらない様に、緩衝材を敷く等の御配慮をお願い致します。(Fig.5-2)

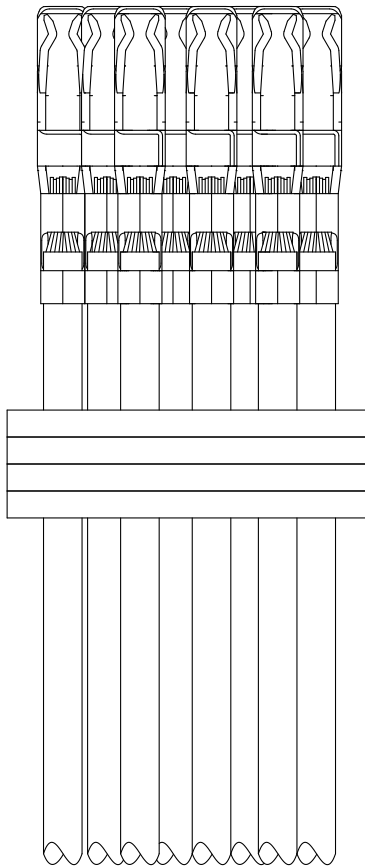


Fig. 5-1

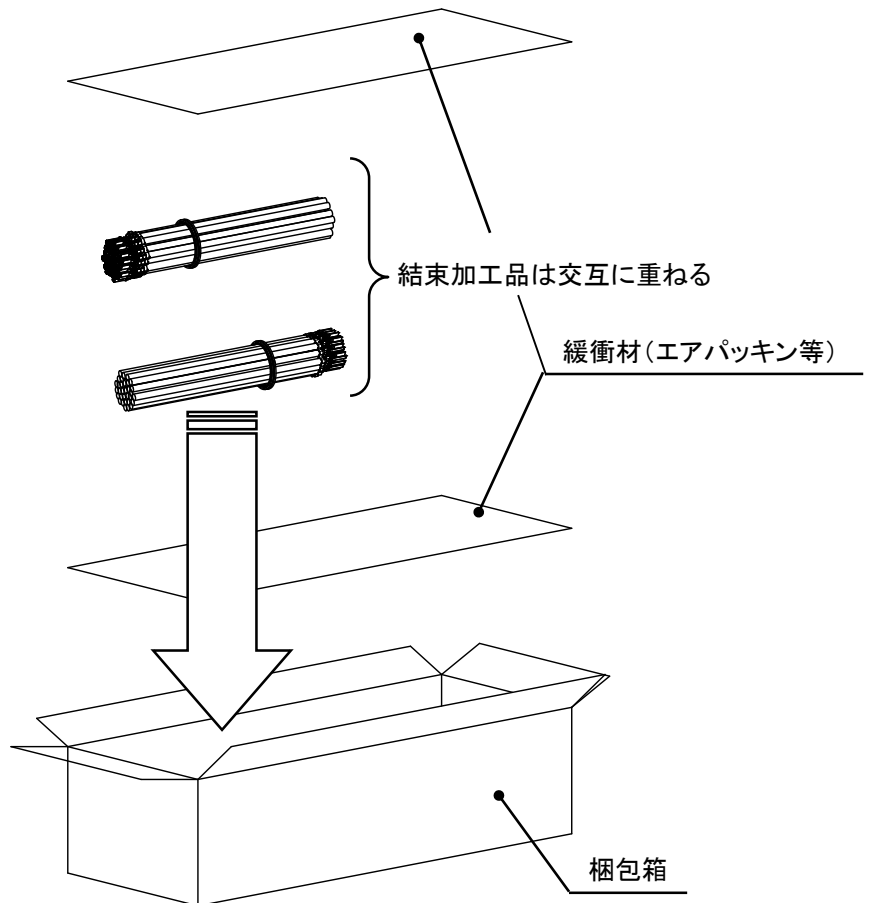


Fig. 5-2

REVISE ON PC ONLY		TITLE:		
B	SEE SHEET 1 OF 51	Micro-Lock PLUS 1.25 W/B SINGLE ROW CONNECTORS		
REV.	DESCRIPTION	THIS DOCUMENT CONTAINS INFORMATION THAT IS PROPRIETARY TO MOLEX ELECTRONIC TECHNOLOGIES, LLC AND SHOULD NOT BE USED WITHOUT WRITTEN PERMISSION		
DOCUMENT NUMBER AS-505565-001		DOC. TYPE PS	DOC. PART 001	CUSTOMER GENERAL MARKET
				SHEET 39 OF 51
EN-127(2015-12)				

【6. リセプタクル ハウジングへの圧着端子装着(ハーネス作業)方法】

圧着端子装着およびリペアの手順と注意事項(※)を下記に示します。

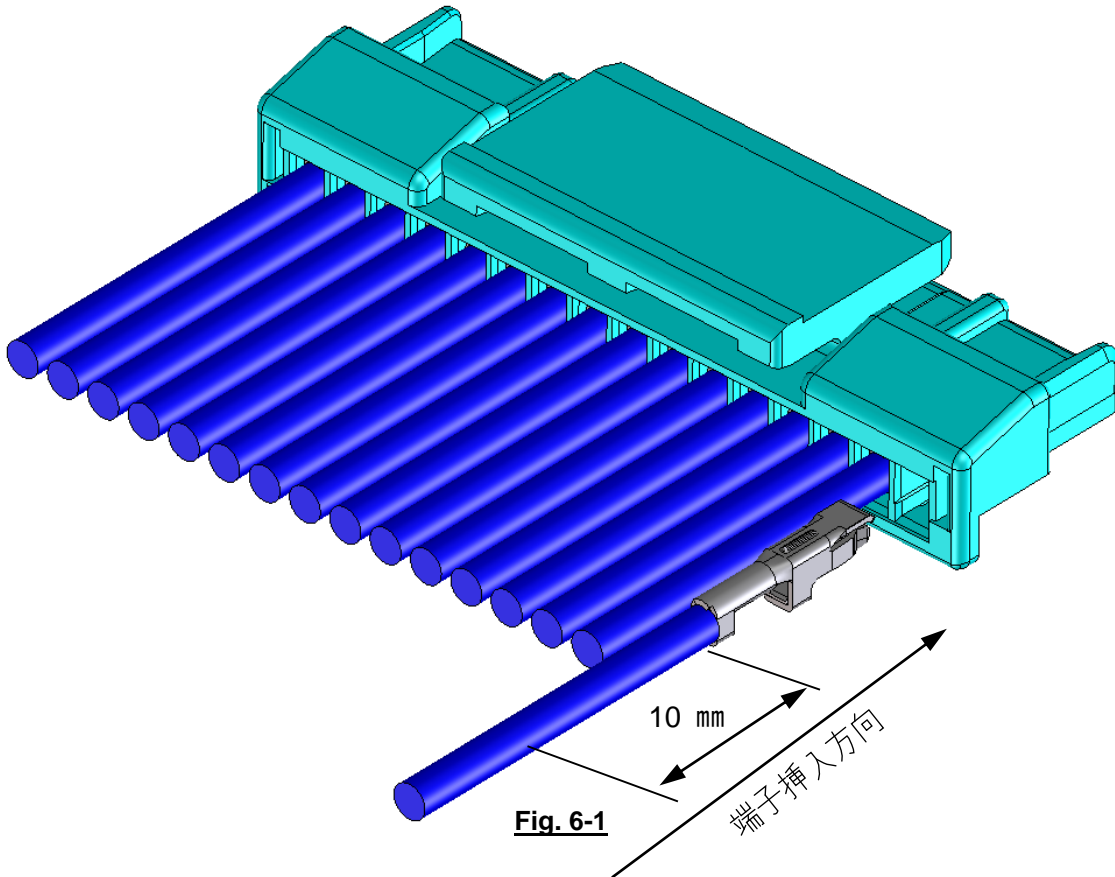
6-1. 圧着端子装着について

- ① リセプタクル ハウジングの左右を挟むように、軽く持って下さい。
- ② ケーブルは、端子圧着部から約 10mm の位置を指で軽く摘んで持って下さい。

注意事項

※端子から離れた位置で持ち過ぎますと、電線が曲がり易くなり、挿入しづらくなる場合がございます。
 ※数値は目安です。使用する電線の種類、材質により数値は異なりますので、使用前に御確認下さい。

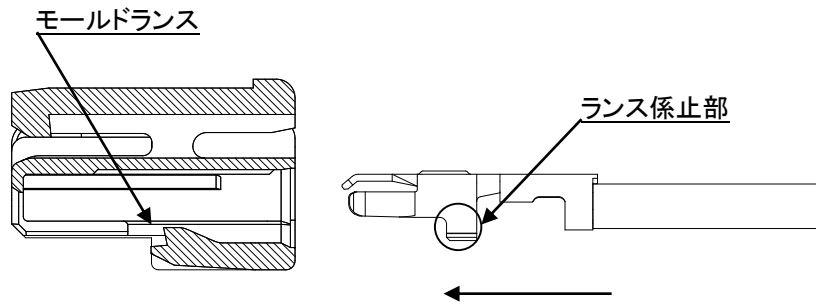
- ③ 端子ランス部が、リセプタクル ハウジングの中央に向かうように持ち、端子が突き当たる位置まで(4.9N 以下の力で)ゆっくりと真っ直ぐ装着して下さい。(Fig.6-1)



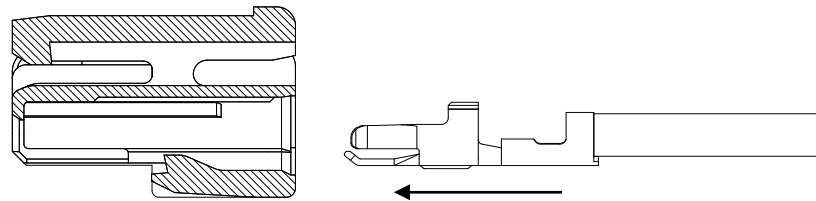
REVISE ON PC ONLY		TITLE:		
B	SEE SHEET 1 OF 51	Micro-Lock PLUS 1.25 W/B SINGLE ROW CONNECTORS		
REV.	DESCRIPTION	THIS DOCUMENT CONTAINS INFORMATION THAT IS PROPRIETARY TO MOLEX ELECTRONIC TECHNOLOGIES, LLC AND SHOULD NOT BE USED WITHOUT WRITTEN PERMISSION		
DOCUMENT NUMBER AS-505565-001		DOC. TYPE PS	DOC. PART 001	CUSTOMER GENERAL MARKET
				SHEET 40 OF 51
EN-127(2015-12)				

注意事項

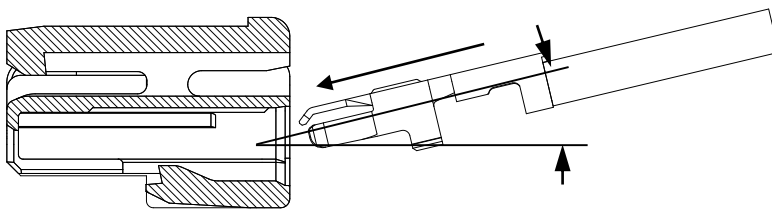
- ※圧着高さ及び幅が大きいと端子挿入に問題がある場合があるため、規定の圧着高さにて作業を行って下さい。
- ※リセプタクルハウジングに対して端子を装着する向きにご注意下さい。
装着時、端子がリセプタクルハウジングに対して上下逆、斜め、5°以上回転した状態にならないように御注意下さい。端子変形、リセプタクルハウジング破損の原因となります。(Fig.6-2/6-3)
- ※装着途中で引っ掛かり等の異常を感じた際には無理に装着せず、端子やリセプタクルハウジングの変形などが無いことを確認し、再度装着し直して下さい。
変形などが確認された場合、その端子やリセプタクルハウジングは、再使用しないで下さい。



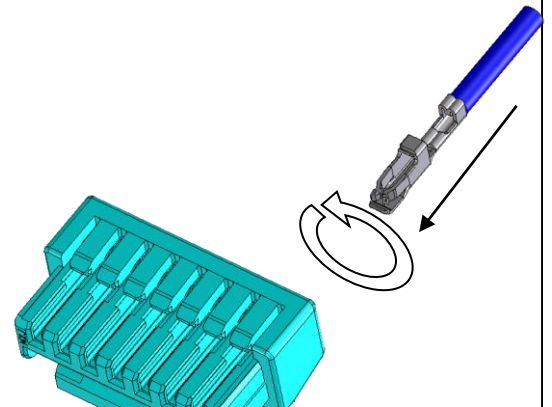
○ Fig.6-2 正しい挿入方向



× 上下逆方向



× 斜め方向



× 回転方向

Fig.6-3 不適切な装着方向

REVISE ON PC ONLY		TITLE:			
B	SEE SHEET 1 OF 51	Micro-Lock PLUS 1.25 W/B SINGLE ROW CONNECTORS			
REV.	DESCRIPTION	THIS DOCUMENT CONTAINS INFORMATION THAT IS PROPRIETARY TO MOLEX ELECTRONIC TECHNOLOGIES, LLC AND SHOULD NOT BE USED WITHOUT WRITTEN PERMISSION			
DOCUMENT NUMBER AS-505565-001		DOC. TYPE PS	DOC. PART 001	CUSTOMER GENERAL MARKET	SHEET 41 OF 51

- ④ 端子装着後、軽く(100g 程度の力で)電線を引張り、端子が抜け出さないか確認を行って下さい。
(過度の引張りでの確認はコネクタを破損させる場合が御座います。)
- ⑤ すべての端子の装着後、リセプタクルハウジングのモールドランスを間口より覗き、モールドランス部の位置を確認して下さい。正しく装着されている場合は、端子ランス部がきちんとモールドランスを乗り越えた位置にあります。(Fig.6-4/6-5)

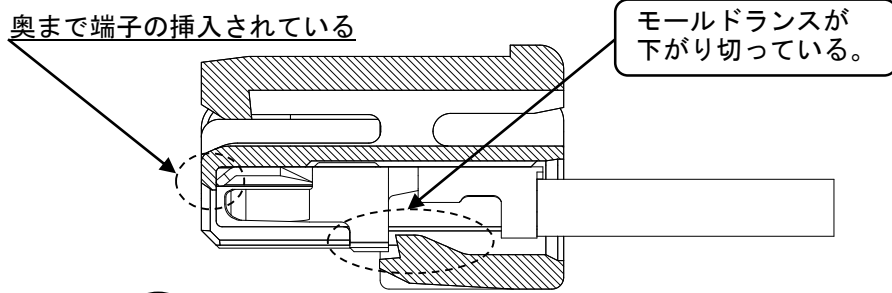


Fig.6-4 正しく装着されている場合

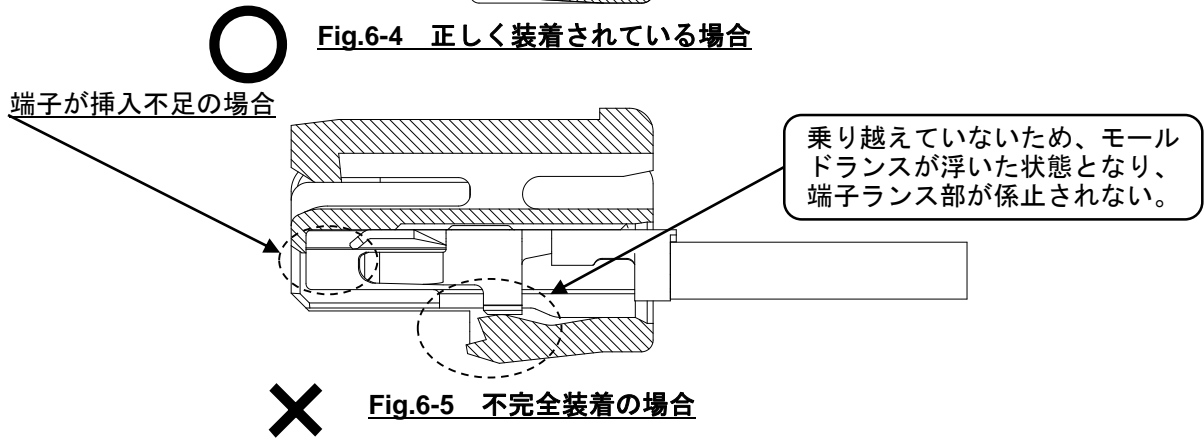


Fig.6-5 不完全装着の場合

※挿入が完全に挿入されている状態では端子ランス係止部がモールドランスを乗り越え、ケーブルを軸方向に軽く振ると隙間があることを確認出来ます。

注意事項

- ※端子が不完全装着の場合、端子のランス係止部にモールドランスが引っ掛からない状態になり、端子が保持出来なくなります。
- ※モールドランスが正規の位置に戻っていない箇所(不完全装着状態: Fig.6-5参照)では、モールドランスが最も変形している状態です。そのため、この状態のハーネス品は、端子を再挿入したとしても、モールドランスが変形し、正規の位置に戻らず、保持力が低下する場合がございます。
- このような場合は、必ずリセプタクルハウジングを取り替えて頂くよう、お願い致します。

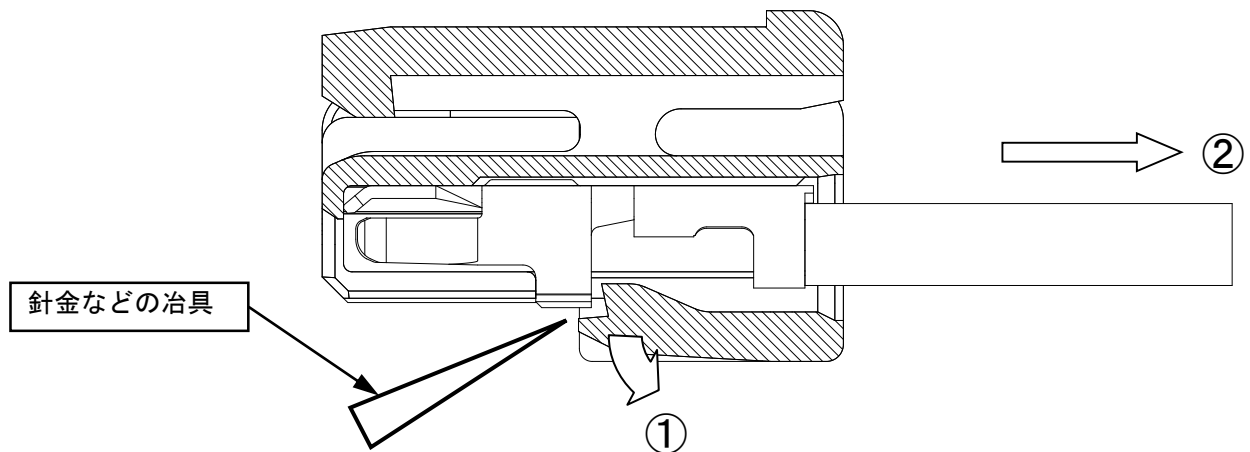
REVISE ON PC ONLY		TITLE: Micro-Lock PLUS 1.25 W/B SINGLE ROW CONNECTORS			
B	SEE SHEET 1 OF 51				
REV.	DESCRIPTION	THIS DOCUMENT CONTAINS INFORMATION THAT IS PROPRIETARY TO MOLEX ELECTRONIC TECHNOLOGIES, LLC AND SHOULD NOT BE USED WITHOUT WRITTEN PERMISSION			
DOCUMENT NUMBER AS-505565-001		DOC. TYPE PS	DOC. PART 001	CUSTOMER GENERAL MARKET	SHEET 42 OF 51

- ⑥ ハーネス加工後のチェック時には、電線を極端に曲げる、または突っ張る状態での使用は避けて下さい。電線の張力により端子圧着部やリセプタクルハウジングの端子装着部に力が加わり、接点不良の原因となります。
- ⑦ ハーネス加工後における導通チェックの際には適合する嵌合相手以外のものに挿入しないで下さい。端子の変形等による接触不良の原因となります。

6-2. 圧着端子のリペアについて

一度挿入した圧着端子を抜く時は、先の尖った針等を使いモールドランスを持ち上げながら引き抜いて下さい。但し、モールドランスを持ち上げると変形します。変形した箇所のランス強度は極端に低下するため、端子を再装着したとしても直ぐに抜けてくる可能性が御座います。
 そのため、**圧着端子のリペアの際には新しいリセプタクルハウジングを必ず使用して下さい。**
 また、拡大鏡等を使うなどして、十分御注意の上、作業を行って下さい。

※端子を無理に引き抜くことは、必ず避けて下さい。
 ※リペアの際、端子のランス係止部の変形や傷を付けないように御注意下さい。



REVISE ON PC ONLY		TITLE: Micro-Lock PLUS 1.25 W/B SINGLE ROW CONNECTORS			
B	SEE SHEET 1 OF 51				
REV.	DESCRIPTION	THIS DOCUMENT CONTAINS INFORMATION THAT IS PROPRIETARY TO MOLEX ELECTRONIC TECHNOLOGIES, LLC AND SHOULD NOT BE USED WITHOUT WRITTEN PERMISSION			
DOCUMENT NUMBER AS-505565-001		DOC. TYPE PS	DOC. PART 001	CUSTOMER GENERAL MARKET	SHEET 43 OF 51
EN-127(2015-12)					

【7 ハーネス結束について】

ハーネス後の結束の際、下記の点に御配慮願います。

- ① 電線の結束は、コネクタから50mm以上のところで、電線に加わる力が均一になるようにして下さい。(Fig.7-1)
- ② ハーネス品で、電線一本(又は特定の数本)に力が加わらない様にして下さい。(Fig.7-2)

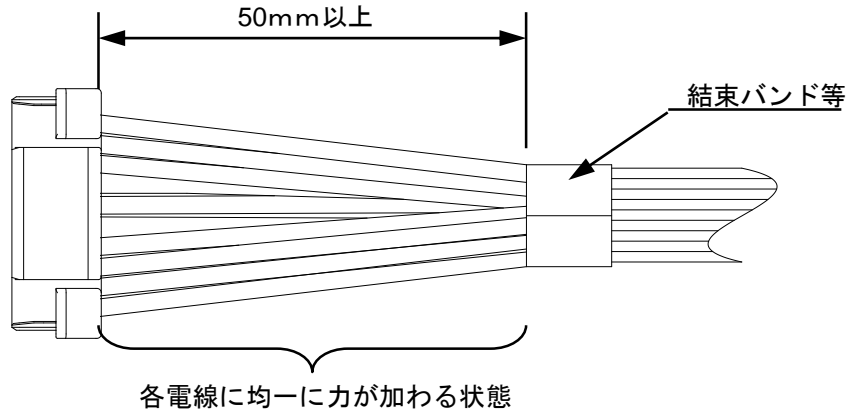


Fig.7-1 適切なハーネス結束状態

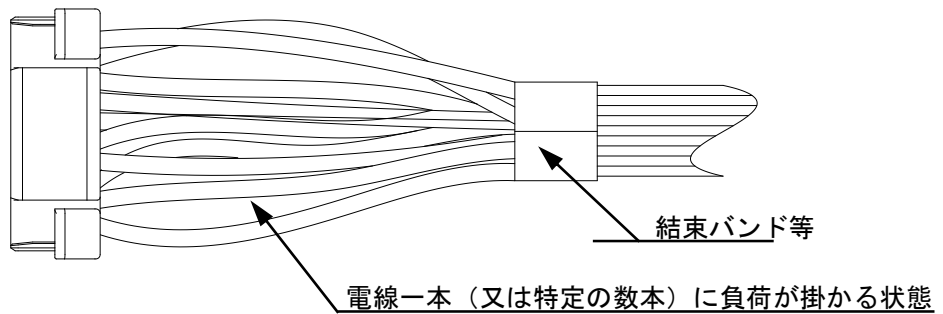


Fig.7-2 不適切なハーネス結束状態

注意事項

- ※ハーネス品同士が絡まっている場合、無理に引っ張らないで下さい。
過度な力が加わり端子が抜ける等の不具合が生じ、コネクタが破損する場合があります。
- ※製品を落としたり、他のものにぶついたりしないで下さい。

REVISE ON PC ONLY		TITLE: Micro-Lock PLUS 1.25 W/B SINGLE ROW CONNECTORS			
B	SEE SHEET 1 OF 51				
REV.	DESCRIPTION	THIS DOCUMENT CONTAINS INFORMATION THAT IS PROPRIETARY TO MOLEX ELECTRONIC TECHNOLOGIES, LLC AND SHOULD NOT BE USED WITHOUT WRITTEN PERMISSION			
DOCUMENT NUMBER AS-505565-001		DOC. TYPE PS	DOC. PART 001	CUSTOMER GENERAL MARKET	SHEET 44 OF 51
EN-127(2015-12)					

【8. ハーネス梱包について】

ハーネス加工品を梱包する際の手順と注意事項(※)を下記に示します。

- ① ハーネス加工品を束ねる。一束で最大20本を目安として束ねるようにして下さい。

注意事項

※ 束ねる際に、常時無理な力が電線に加わらない様に、輪ゴムのような締め付けの強いものは使用せず、ビニール紐で中央部(一箇所)を束ねて下さい。また、各束のコネクタにエアパッキンを巻き、衝撃や荷重からコネクタを保護する処置をお願い致します。(Fig.8-1)複数のハーネスを束にした際、コネクタ同士が接触し、ロック部に負荷が加わる場合があります。その場合、ロックが常に下がった状態になることで、ロック部変形等による性能不良の原因となります。

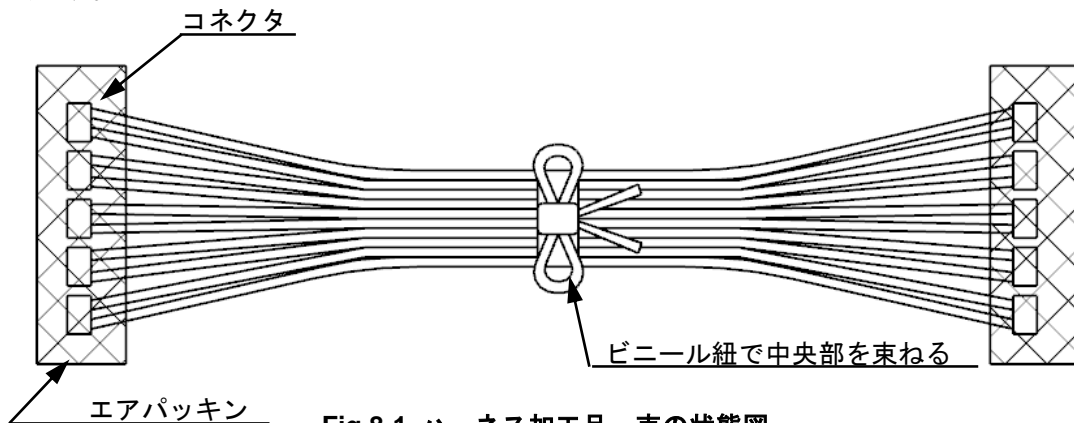


Fig.8-1 ハーネス加工品一束の状態図

REVISE ON PC ONLY		TITLE: Micro-Lock PLUS 1.25 W/B SINGLE ROW CONNECTORS			
B	SEE SHEET 1 OF 51				
REV.	DESCRIPTION	THIS DOCUMENT CONTAINS INFORMATION THAT IS PROPRIETARY TO MOLEX ELECTRONIC TECHNOLOGIES, LLC AND SHOULD NOT BE USED WITHOUT WRITTEN PERMISSION			
DOCUMENT NUMBER AS-505565-001		DOC. TYPE PS	DOC. PART 001	CUSTOMER GENERAL MARKET	SHEET 45 OF 51
EN-127(2015-12)					

① 梱包箱に束ねたハーネス加工品を入れる。

尚、下図(Fig 8-2)は推奨参考例ですが、ハーネス長が長いなどの理由で他の梱包方式で御使用される場合にも段積みによる加重等の負荷がコネクタに長時間加わらない様御配慮をお願い致します。

注意事項

※ハーネス加工品の束を梱包箱に入れる際、積み重ねによる荷重等の負荷がコネクタに長時間加わらない様に、箱に合わせた形で製品を交互(十字型)に重ね合わせて下さい。(Fig.8-2 ①)

※梱包箱底面には、緩衝材等を敷いて下さい。また、段積みによる荷重等の負荷がコネクタに長時間加わらない様に、緩衝材を敷く等の御配慮をお願い致します。(Fig.8-2 ②)

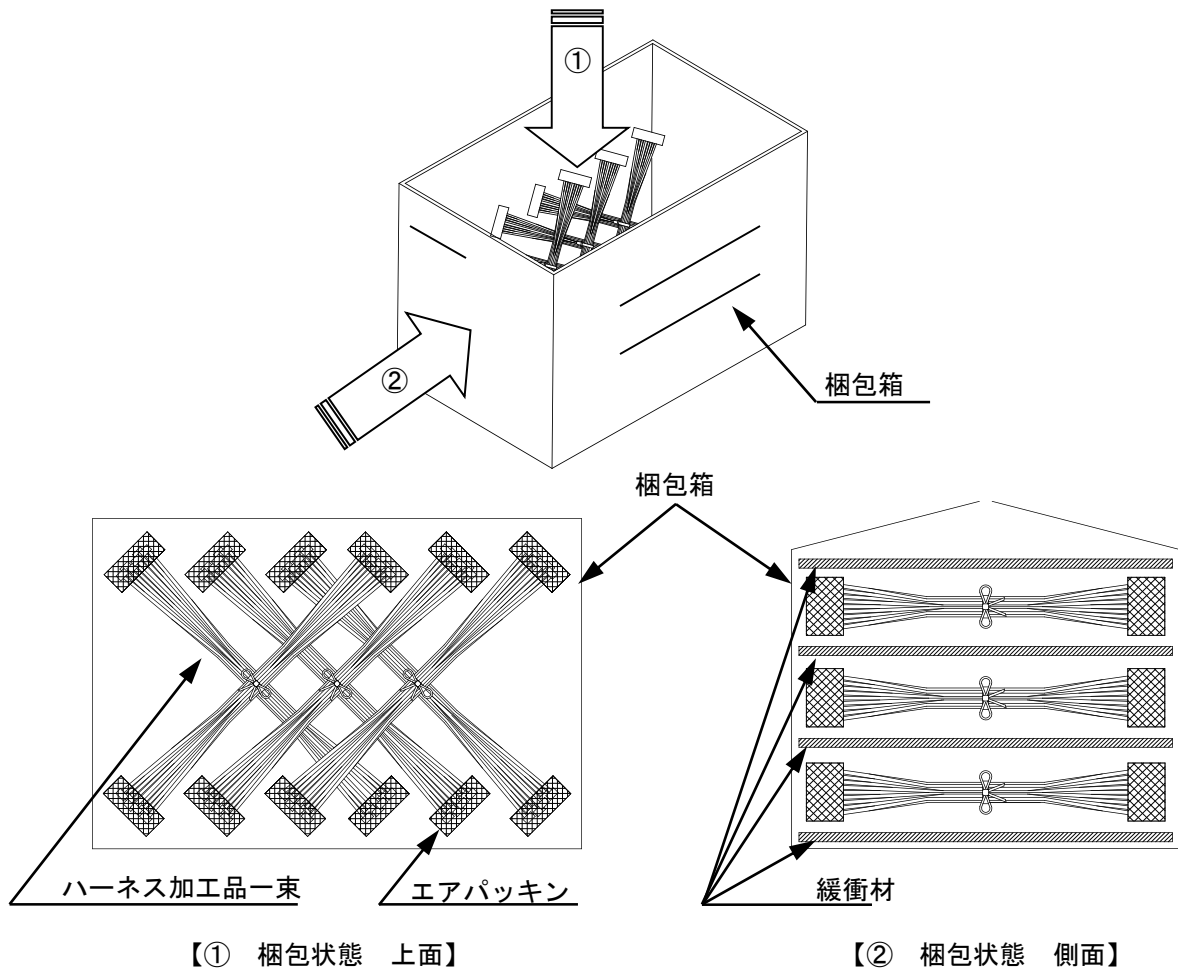


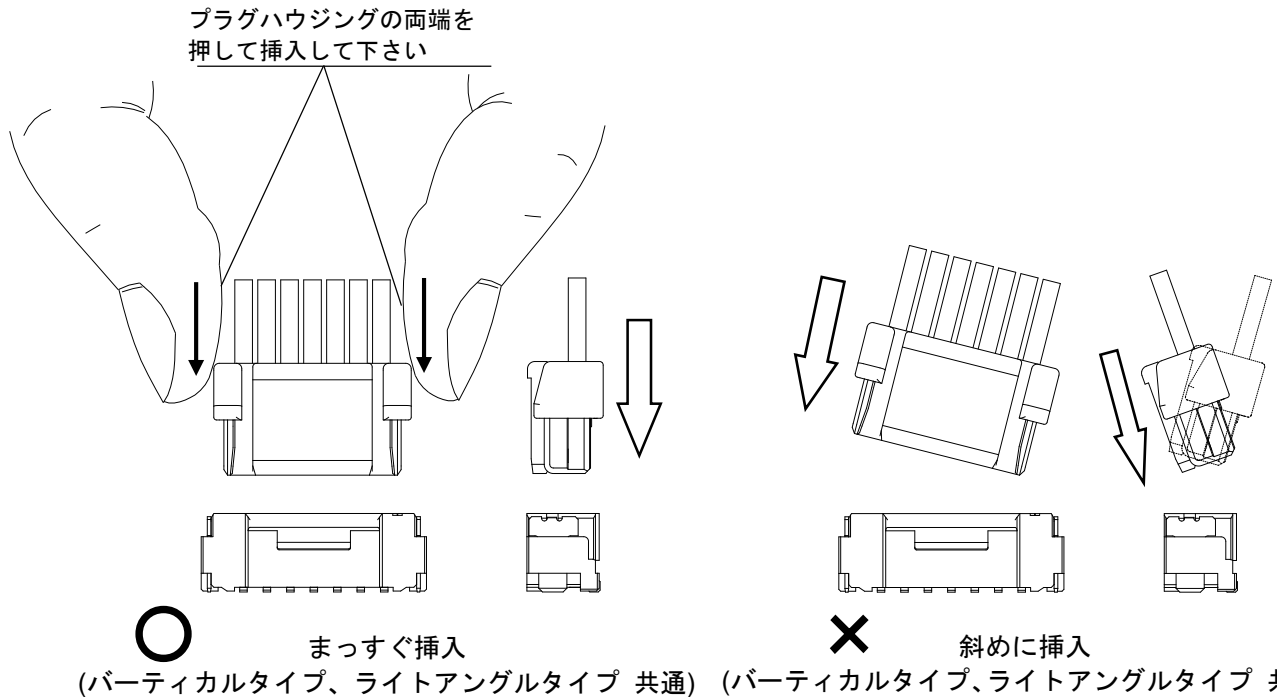
Fig.8-2 梱包状態図

REVISE ON PC ONLY		TITLE: Micro-Lock PLUS 1.25 W/B SINGLE ROW CONNECTORS			
B	SEE SHEET 1 OF 51				
REV.	DESCRIPTION	THIS DOCUMENT CONTAINS INFORMATION THAT IS PROPRIETARY TO MOLEX ELECTRONIC TECHNOLOGIES, LLC AND SHOULD NOT BE USED WITHOUT WRITTEN PERMISSION			
DOCUMENT NUMBER AS-505565-001		DOC. TYPE PS	DOC. PART 001	CUSTOMER GENERAL MARKET	SHEET 46 OF 51
EN-127(2015-12)					

【9. 基板側コネクタとの嵌合時に於ける注意事項】

9-1. 推奨挿入方法

プラグハウジング(基板側)とリセプタクルハウジング(ハーネス側)の嵌合方向を合わせ、嵌合時にリセプタクルハウジングのピッチ方向の両端(矢印で示す部位)を押し、**コネクタ同士が突き当たる(完全嵌合位置)まで、真っ直ぐ押し込んで下さい。**また、嵌合後、2箇所フリクションロックが完全に掛かっていることを御確認下さい。



注意事項

※嵌合時、リセプタクルハウジングのポジティブロック部を押さないようにして下さい。

ロック部が嵌合相手の引っ掛かり部を乗り越える正規の動作が妨げられて、過度の負荷が加わり破損する恐れが御座います。

※リセプタクルハウジングを押して、まっすぐに突き当たるまで挿入して下さい。

本製品は、嵌合間口を深く設定し、斜め挿入しても間口で矯正され、挿入されるようにしておりますが、人為的に斜め状態を維持させて、ゆっくり挿入させた場合、弾性力のあるリセプタクルハウジングは変形しながら挿入されるため、片側しかロックされない状態を作り出す場合が御座います。

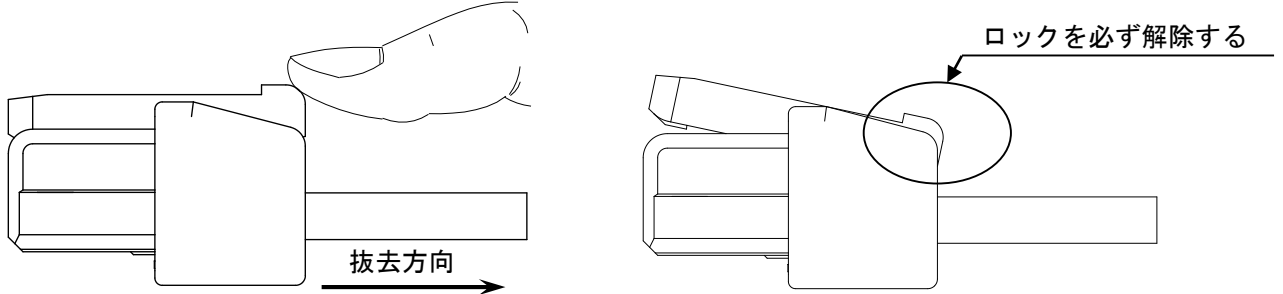
(特に多極品の場合)

※スムーズに挿入できない場合は、端子やリセプタクルハウジングの変形などを確認して、嵌合方向マークを確認した上でもう一度挿入して下さい。

REVISE ON PC ONLY		TITLE:		
B	SEE SHEET 1 OF 51	Micro-Lock PLUS 1.25 W/B SINGLE ROW CONNECTORS		
REV.	DESCRIPTION	THIS DOCUMENT CONTAINS INFORMATION THAT IS PROPRIETARY TO MOLEX ELECTRONIC TECHNOLOGIES, LLC AND SHOULD NOT BE USED WITHOUT WRITTEN PERMISSION		
DOCUMENT NUMBER AS-505565-001		DOC. TYPE PS	DOC. PART 001	CUSTOMER GENERAL MARKET
				SHEET 47 OF 51
EN-127(2015-12)				

9-2. 推奨抜去方法

電線はまとめて軽くつかみ、リセプタクルハウジングのロックに指を添え、指の平を用いて、ロック解除用バーを押してロックを完全に解除してから、ゆっくり、軸方向にまっすぐに引き抜いて下さい。
また、斜めにこじりながら抜くことは避けてください。コネクタを破損させる恐れが御座います。



注意事項

※特定の数本のみ電線を摘んで抜去しないで下さい。
限定された端子に過度な負荷が集中し、コネクタの破損及び端子が抜ける可能性が御座います。

※抜去時は、ロックを完全に解除して下さい。本製品は、コネクタの抜け防止をポジティブロックに依存している構造となっております。ロックが完全に解除していない状態で、無理に抜こうとした場合コネクタが破損します。

REVISE ON PC ONLY		TITLE: Micro-Lock PLUS 1.25 W/B SINGLE ROW CONNECTORS			
B	SEE SHEET 1 OF 51				
REV.	DESCRIPTION	THIS DOCUMENT CONTAINS INFORMATION THAT IS PROPRIETARY TO MOLEX ELECTRONIC TECHNOLOGIES, LLC AND SHOULD NOT BE USED WITHOUT WRITTEN PERMISSION			
DOCUMENT NUMBER AS-505565-001		DOC. TYPE PS	DOC. PART 001	CUSTOMER GENERAL MARKET	SHEET 48 OF 51
EN-127(2015-12)					

9-3. 嵌合後の電線の引き回しについて

注意事項

※機器内の引き回しを検討される際には、電線に十分なたわみを持たせる等の処置を検討頂き、直接コネクタに力が加わらないようにして下さい。(Fig.9-3-1)

※嵌合後、機器内での電線の引き回しの際には、電線を極端に曲げる、または突っ張る状態で使用しないで下さい。電線の引っ張り力、突っ張り力により端子圧着部やリセプタクルハウジングの端子装着部及び基板側のコネクタに力が加わり接点不良の原因となります。特に、特定の電線のみに力が加わることは避けて下さい。(Fig.9-3-2)

※特定の電線一本に対して負荷が加わると電線(圧着端子)が抜ける可能性が御座います。

※嵌合後、機器内での電線の引き回しの際、2方向以上での引き回しは避けて下さい。(Fig.9-3-3)

※特殊な電線の引き回し(Fig9-3-2/9-3-3等)を行う際には、事前に当社へ確認の上ご使用下さい。

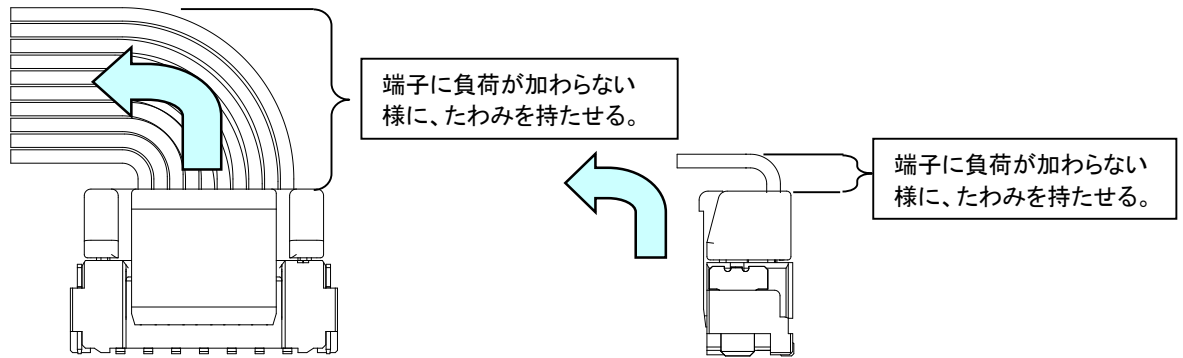


Fig.9-3-1 電線にたわみを持たせた状態

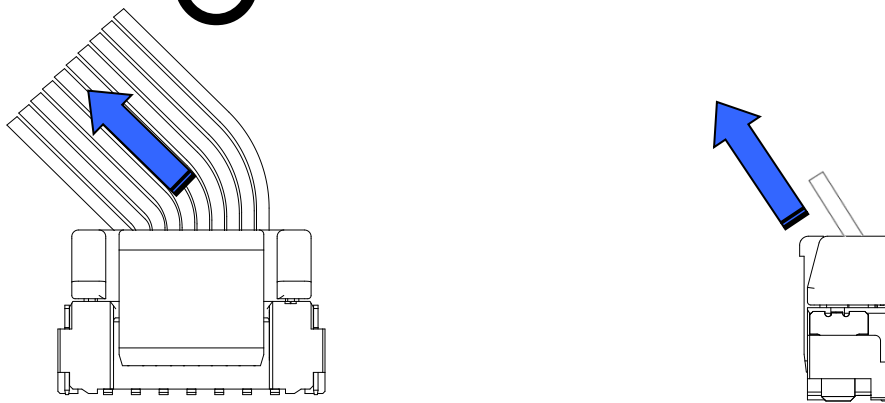
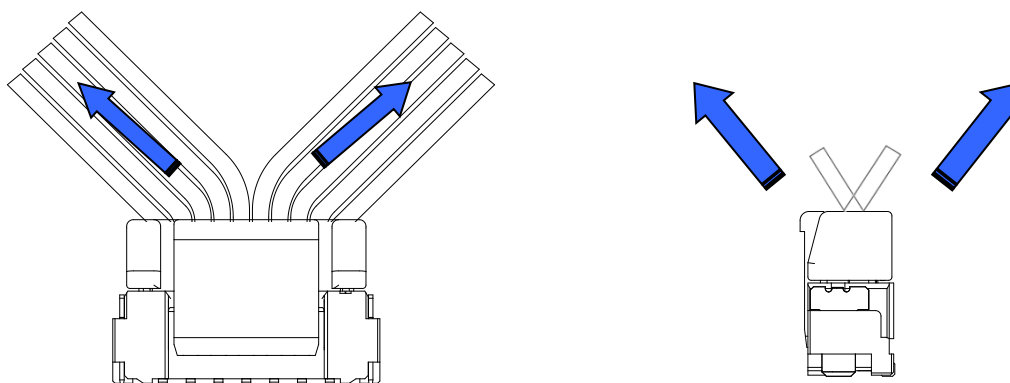


Fig.9-3-2 電線を極端に曲げる又は、突っ張った状態

REVISE ON PC ONLY		TITLE: Micro-Lock PLUS 1.25 W/B SINGLE ROW CONNECTORS			
B	SEE SHEET 1 OF 51				
REV.	DESCRIPTION	THIS DOCUMENT CONTAINS INFORMATION THAT IS PROPRIETARY TO MOLEX ELECTRONIC TECHNOLOGIES, LLC AND SHOULD NOT BE USED WITHOUT WRITTEN PERMISSION			
DOCUMENT NUMBER AS-505565-001		DOC. TYPE PS	DOC. PART 001	CUSTOMER GENERAL MARKET	SHEET 49 OF 51
EN-127(2015-12)					



X

Fig.9-3-3 2方向以上の電線引き回し状態

REVISE ON PC ONLY		TITLE: Micro-Lock PLUS 1.25 W/B SINGLE ROW CONNECTORS			
B	SEE SHEET 1 OF 51				
REV.	DESCRIPTION	THIS DOCUMENT CONTAINS INFORMATION THAT IS PROPRIETARY TO MOLEX ELECTRONIC TECHNOLOGIES, LLC AND SHOULD NOT BE USED WITHOUT WRITTEN PERMISSION			
DOCUMENT NUMBER AS-505565-001		DOC. TYPE PS	DOC. PART 001	CUSTOMER GENERAL MARKET	SHEET 50 OF 51

molex APPLICATION SPECIFICATION

LANGUAGE

ENGLISH
JAPANESE

REV.	REV. RECORD	DATE	EC NO.	WRITTEN BY :	CHECKED BY :
A	RELEASED	'16/06/14	J2016-1252	T.AKAIKE	K.ASAKAWA
B	REVISED	'19/07/19	620885	T.AKAIKE	S.AKIYAMA

REVISE ON PC ONLY	
B	SEE SHEET 1 OF 51
REV.	DESCRIPTION

TITLE: **Micro-Lock PLUS 1.25 W/B SINGLE ROW CONNECTORS**

THIS DOCUMENT CONTAINS INFORMATION THAT IS PROPRIETARY TO MOLEX ELECTRONIC TECHNOLOGIES, LLC AND SHOULD NOT BE USED WITHOUT WRITTEN PERMISSION

DOCUMENT NUMBER AS-505565-001	DOC. TYPE PS	DOC. PART 001	CUSTOMER GENERAL MARKET	SHEET 51 OF 51
---	------------------------	-------------------------	-----------------------------------	-------------------