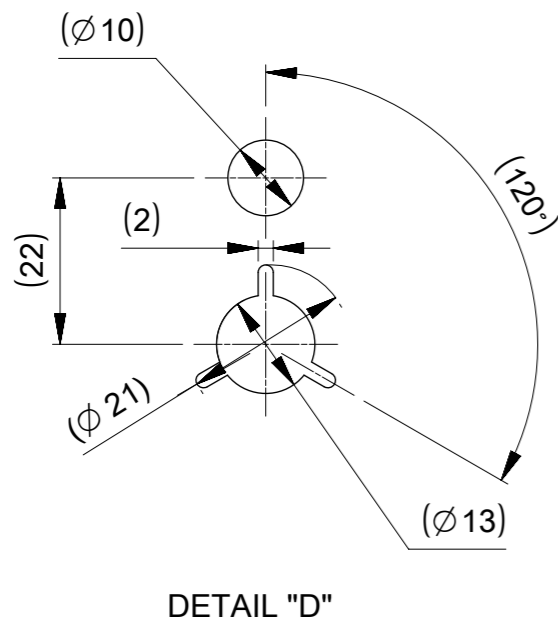
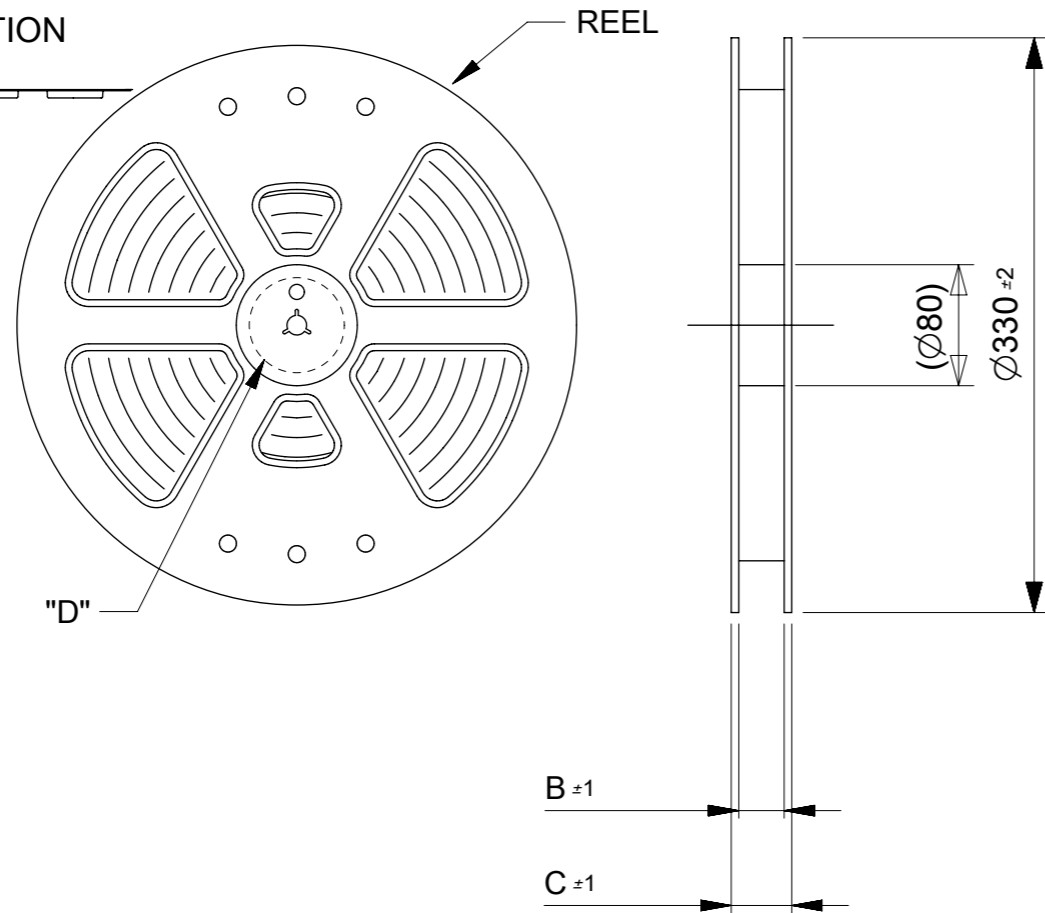


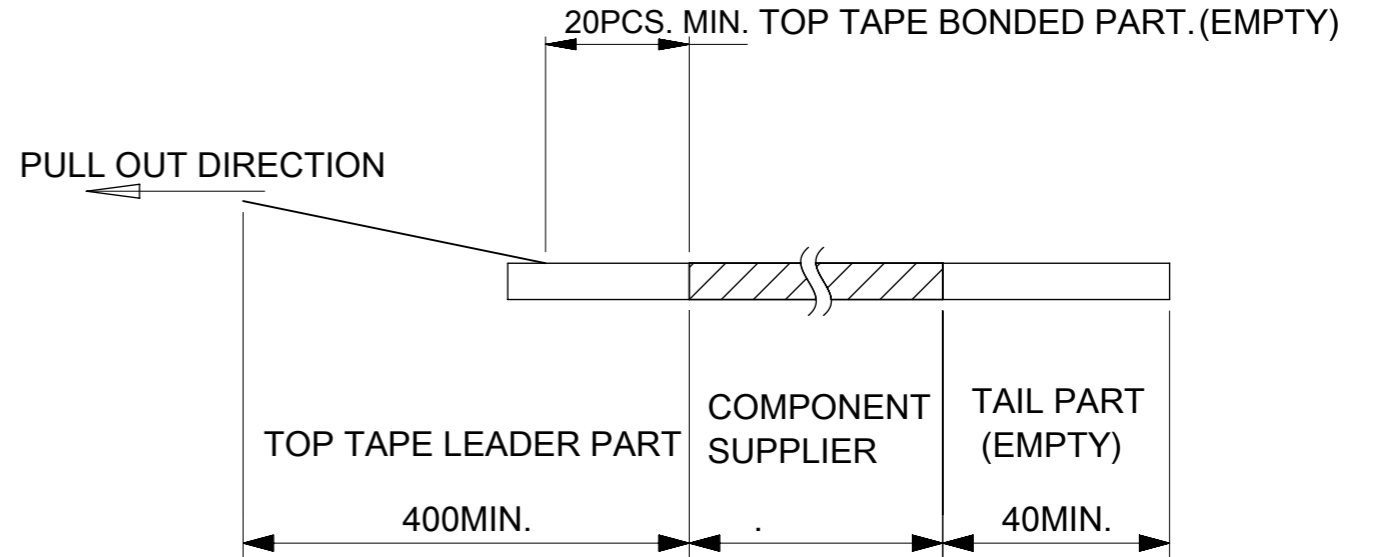
PULL OUT DIRECTION



DETAIL "D"

NOTES

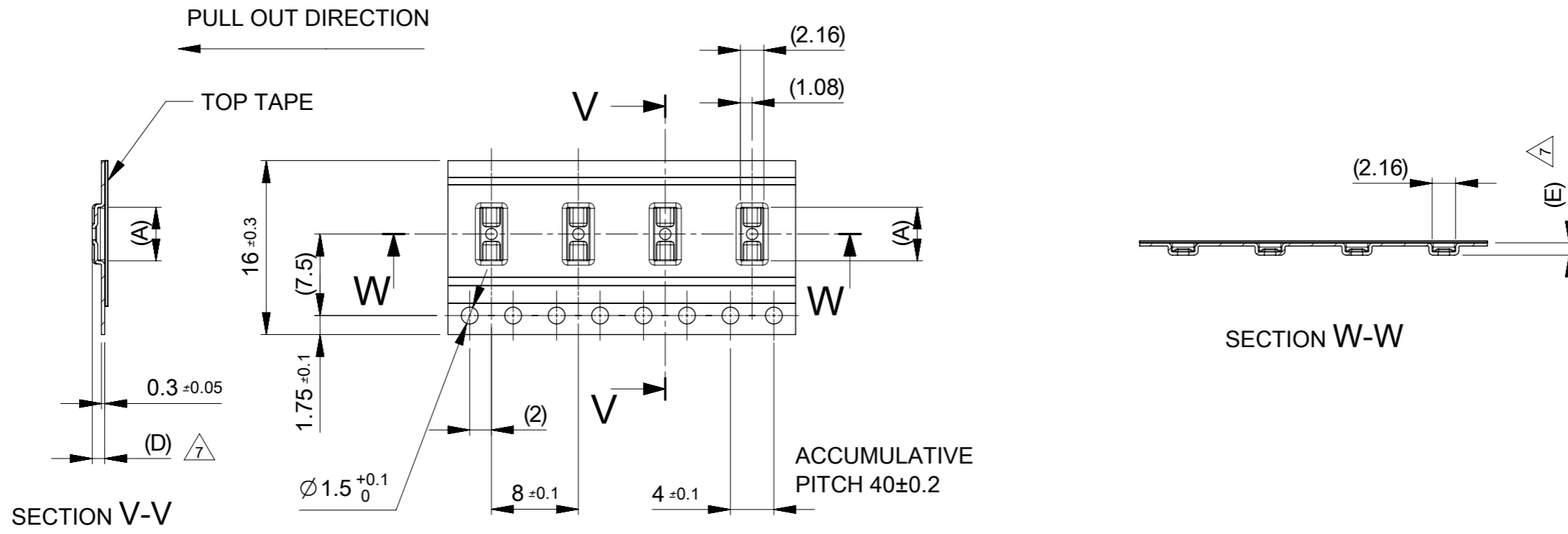
- RE DETAILED DIMENSION, SEE PRODUCT DRAWING.
- NUMBER OF CONNECTORS : 6000 PCS/REEL.
- LEAD TAPE LENGTH.



- TOP TAPE PEEL FORCE IS DEFINED BY IEC60286-3
 - MATERIAL
CARRER TAPE :POLYSTYRENE
TOP TAPE :PET , OTHER
REEL :POLYSTYRENE(PS)(RECYCLE MATERIAL CONTAINED)
 - ELV AND RoHS COMPLIANT
- △ Only 6 circuit is different in this dimension.

MODEL NO. 505070-**40

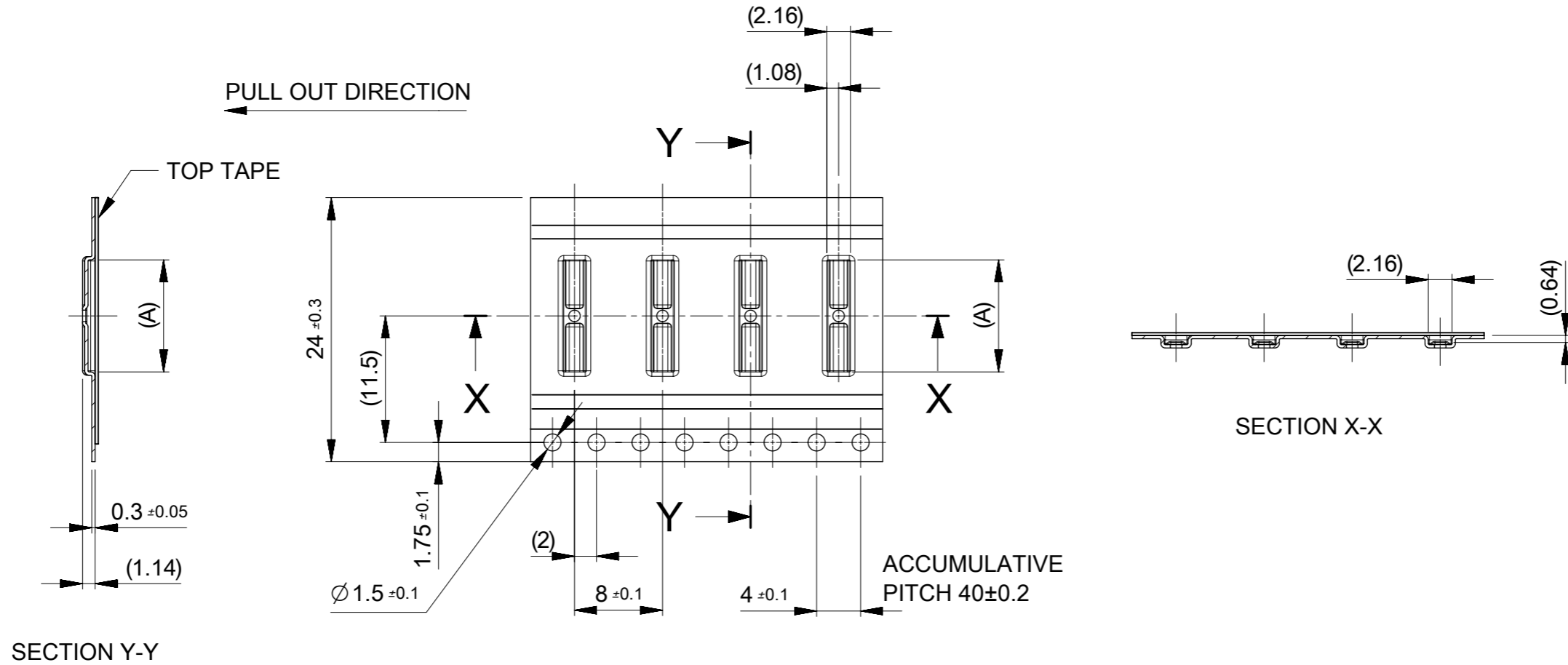
THIS DRAWING CONTAINS INFORMATION THAT IS PROPRIETARY TO MOLEX ELECTRONIC TECHNOLOGIES, LLC AND SHOULD NOT BE USED WITHOUT WRITTEN PERMISSION										
REVISED	EC NO: 110631	2016/11/17	GENERAL TOLERANCES (UNLESS SPECIFIED)		DIMENSION UNITS	SCALE	molex [®]			
	DRWN: TSOMEYA	2016/11/28	ANGULAR TOL ± 1.0 °		MM	1:5				
	CHK'D: KTANAKA03	2016/11/28	4 PLACES	± 0.01	DRWN BY	DATE	0.35 BB CONN. H=0.6 SSB6 RP PLUG ASSY			
	APP: TKUSUHARA01		3 PLACES	± 0.03	STERUKI	2016/02/15				
			2 PLACES	± 0.05	CHK'D BY	DATE				
			1 PLACE	± 0.1	KTANAKA03	2016/02/18	PRODUCT CUSTOMER DRAWING			
			0 PLACES	± 0.2	APPR BY	DATE	SERIES	MATERIAL NUMBER	CUSTOMER	
			DRAFT WHERE APPLICABLE MUST REMAIN WITHIN DIMENSIONS		KMORIKAWA	2016/02/19	505070	SEE CHART	GENERAL	
F	REV		A3		DRAWING SIZE	THIRD ANGLE PROJECTION	DOCUMENT NUMBER	DOC TYPE	DOC PART	SHEET NUMBER
							5050700000	PSD	002	1 OF 3



16	0.64	1.14	21.4	17.4	6.68	505070-3040	○	---	30	
					5.63	505070-2440	○	---	24	
					5.28	505070-2240	○	---	22	
					4.93	505070-2040	○	---	20	
					4.58	505070-1840	---	---	18	
					4.23	505070-1640	○	---	16	
					3.88	505070-1440	○	---	14	
					3.53	505070-1240	○	---	12	
					3.18	505070-1040	○	---	10	
					2.78	505070-0840	---	○	8	
					2.43	505070-0640	○	---	6	
キャリアテープ幅 CARRIER TAPE WIDTH		(E)	(D)	C	B	(A)	MATERIAL No.	HIGH VOL. TOOL	LOW VOL. TOOL	CIRCUIT
							SAMPLE PREPARATION			

THIS DRAWING CONTAINS INFORMATION THAT IS PROPRIETARY TO MOLEX ELECTRONIC TECHNOLOGIES, LLC AND SHOULD NOT BE USED WITHOUT WRITTEN PERMISSION

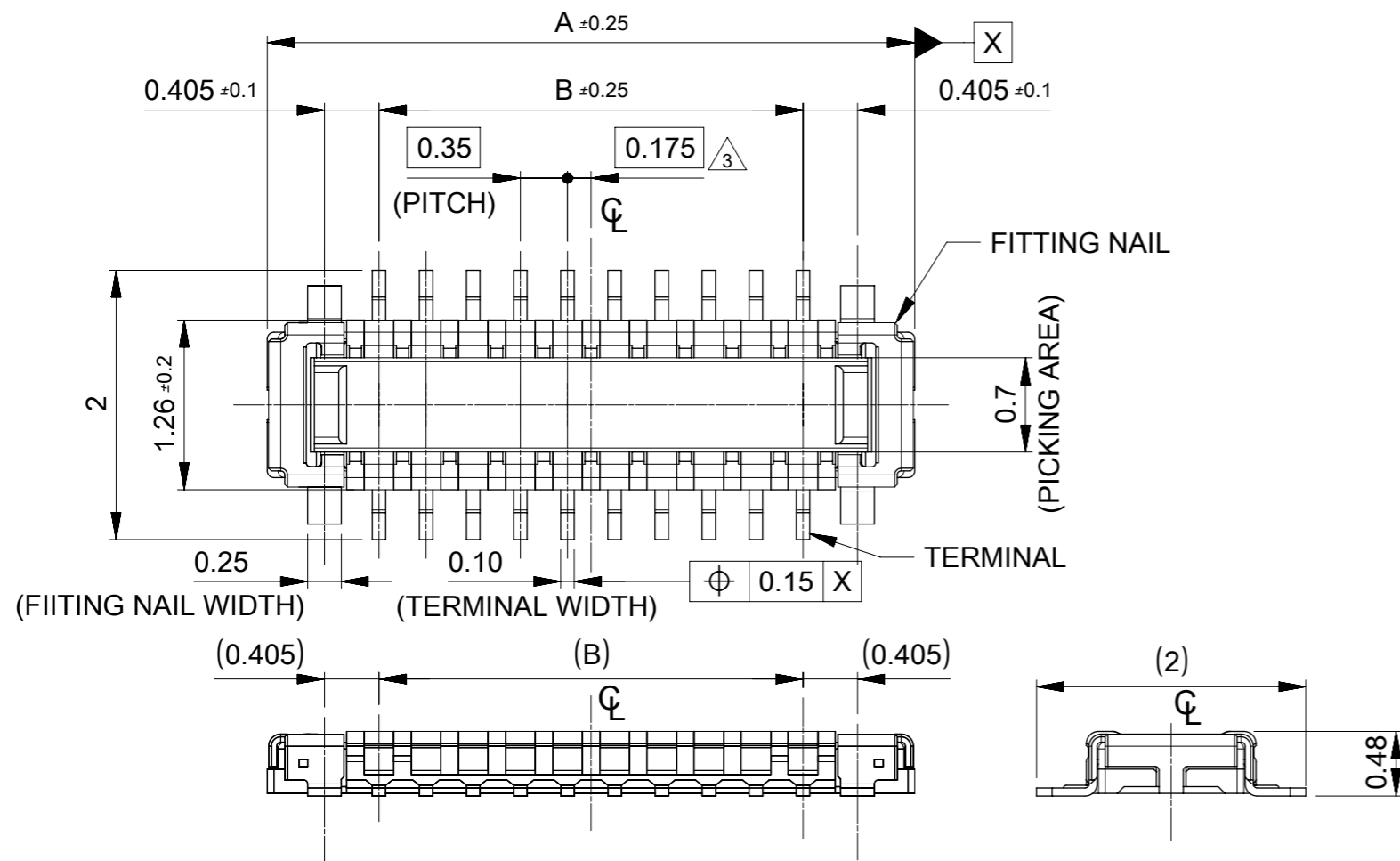
EC NO: 110631 DRWN: TSOMEYA CHK'D: KTANAKA03 APPR: TKUSUHARA01	2016/11/17	2016/11/28	2016/11/28	GENERAL TOLERANCES (UNLESS SPECIFIED) ANGULAR TOL ± 1.0 ° 4 PLACES ± 0.01 3 PLACES ± 0.03 2 PLACES ± 0.05 1 PLACE ± 0.1 0 PLACES ± 0.2 DRAFT WHERE APPLICABLE MUST REMAIN WITHIN DIMENSIONS	DIMENSION UNITS	SCALE	
	REVISIONS	DATE	DATE		MM	2:1	
	STERUKI	2016/02/15	DATE		DRWN BY	DATE	
	KTANAKA03	2016/02/18	DATE		CHK'D BY	DATE	
	KMORIKAWA	2016/02/19	DATE		APPR BY	DATE	
	A3	THIRD ANGLE PROJECTION					
0.35 BB CONN. H=0.6 SSB6 RP PLUG ASSY							
PRODUCT CUSTOMER DRAWING							
SERIES 505070		MATERIAL NUMBER SEE CHART		CUSTOMER GENERAL			
DOCUMENT NUMBER 5050700000				DOC TYPE PSD	DOC PART 002	SHEET NUMBER 2 OF 3	



24	29.4	25.4	12.63	505070-6440	---	---	64	
			11.93	505070-6040	---	---	60	
			10.88	505070-5440	○	---	54	
			10.18	505070-5040	○	---	50	
			9.83	505070-4840	○	---	48	
			9.48	505070-4640	---	---	46	
			8.78	505070-4240	○	---	42	
			8.43	505070-4040	○	---	40	
			7.38	505070-3440	○	---	34	
キャリアテープ幅 CARRIER TAPE WIDTH		C	B	(A)	MATERIAL No.	HIGH VOL TOOL SAMPLE PREPARATION	LOW VOL TOOL	CIRCUIT

THIS DRAWING CONTAINS INFORMATION THAT IS PROPRIETARY TO MOLEX ELECTRONIC TECHNOLOGIES, LLC AND SHOULD NOT BE USED WITHOUT WRITTEN PERMISSION

EC NO: 110631 DRWN: TSOMEYA CHK'D: KTANAKA03 REV APPR: TKUSUHARA01	2016/11/17	2016/11/28	2016/11/28	GENERAL TOLERANCES (UNLESS SPECIFIED) ANGULAR TOL ± 1.0 ° 4 PLACES ± 0.01 3 PLACES ± 0.03 2 PLACES ± 0.05 1 PLACE ± 0.1 0 PLACES ± 0.2 DRAFT WHERE APPLICABLE MUST REMAIN WITHIN DIMENSIONS	DIMENSION UNITS	SCALE	
	REVIS	MM	2:1				
	DRWN BY	DATE	STERUKI		2016/02/15		
	CHK'D BY	DATE	KTANAKA03		2016/02/18		
	APPR BY	DATE	KMORIKAWA		2016/02/19		
DRAWING SIZE		THIRD ANGLE PROJECTION		PRODUCT CUSTOMER DRAWING			
A3				SERIES	MATERIAL NUMBER	CUSTOMER	
F		REV		505070	SEE CHART	GENERAL	
RELEASE STATUS				P1	RELEASE DATE	28.11.2016	02:18:45
DOCUMENT NUMBER				DOC TYPE		DOC PART	SHEET NUMBER
5050700000				PSD		002	3 OF 3



14.76	14.16	11.90	13.56	505070-7040	---	---	70
13.71	13.11	10.85	12.51	505070-6440	---	---	64
13.01	12.41	10.15	11.81	505070-6040	---	---	60
12.66	12.06	9.80	11.46	505070-5840	---	---	58
11.96	11.36	9.10	10.76	505070-5440	○	---	54
11.26	10.66	8.40	10.06	505070-5040	○	---	50
10.91	10.31	8.05	9.71	505070-4840	○	---	48
10.56	9.96	7.70	9.36	505070-4640	---	---	46
9.86	9.26	7.00	8.66	505070-4240	○	---	42
9.51	8.91	6.65	8.31	505070-4040	○	---	40
9.16	8.56	6.30	7.96	505070-3840	---	---	38
8.46	7.86	5.60	7.26	505070-3440	○	---	34
7.76	7.16	4.90	6.56	505070-3040	○	---	30
7.41	6.81	4.55	6.21	505070-2840	---	---	28
6.71	6.11	3.85	5.51	505070-2440	○	---	24
6.36	5.76	3.50	5.16	505070-2240	○	---	22
6.01	5.41	3.15	4.81	505070-2040	○	---	20
5.66	5.06	2.80	4.46	505070-1840	---	---	18
5.31	4.71	2.45	4.11	505070-1640	○	---	16
4.96	4.36	2.10	3.76	505070-1440	○	---	14
4.61	4.01	1.75	3.41	505070-1240	○	---	12
4.26	3.66	1.40	3.06	505070-1040	○	---	10
3.91	3.31	1.05	2.71	505070-0840	---	○	8
3.56	2.96	0.70	2.36	505070-0640	○	---	6
				EMBOSSED TAPE PACKAGE	HIGH VOL. TOOL	LOW VOL. TOOL	
D	C	B	A	ORDER NO.	SAMPLE PREPARATION ○ : TOOLED △ : WORK IN PROCESS ---:TOOLING TO BE CONFIRMED		CIRCUIT

- 1 MATERIAL
 WAFER: LIQUID CRYSTAL POLYMER UL94V-0 (COLOR : BLACK)
 TERMINAL: COPPER ALLOY
 FITTING NAIL : COPPER ALLOY
- 2 PLATING
 TERMINAL :
 CONTACT AREA: SEPARATED GOLD PLATING (0.1 MICROMETER MINIMUM).
 SOLDER TAIL AREA: SEPARATED GOLD PLATING.
 UNDERPLATE: NICKEL OVERALL.
 *DIVIDE INTO PARTS THE GOLD PLATING OF THE CONTACT AND THE TAIL PART BY THE NICKEL PLATING.
 FITTING NAIL :
 CONTACT AREA: SEPARATED GOLD PLATING (0.1 MICROMETER MINIMUM).
 SOLDER TAIL AREA: SEPARATED GOLD PLATING.
 UNDERPLATE: NICKEL OVERALL.
 *DIVIDE INTO PARTS THE GOLD PLATING OF THE CONTACT AND THE TAIL PART BY THE NICKEL PLATING.
 *EVEN THOUGH GOLD PLATING ON THE TOP SURFACE OF NAIL MIGHT BE THIN, NO FUNCTIONAL PROBLEM.
- 3 APPLY FOR (CIRCUIT/2)=EVEN.
- 4 MATE WITH : 505066-**20
- 5 TAIL AND FITTING NAIL COPLANARITY TO BE 0.08 MAXIMUM.
- 6 PROHIBITED AREA OF PATTERN WIRING AND SOLDER. (FOR EACH AREA, THE WIRING THAT TOUCHES ON THE SOLDER CAN BE ATTACHED, THEN COVERED WITH A FILM TO KEEP SOLDER OUT).
- 7 ELV and RoHS COMPLIANT.

THIS DRAWING CONTAINS INFORMATION THAT IS PROPRIETARY TO MOLEX ELECTRONIC TECHNOLOGIES, LLC AND SHOULD NOT BE USED WITHOUT WRITTEN PERMISSION

REVISED	2016/11/21	DRWN: TSOMEYA	2016/11/28	CHK'D: KTANAKA03	2016/11/28	APPR: TKUSUHARA01	GENERAL TOLERANCES (UNLESS SPECIFIED)	DIMENSION UNITS	SCALE			
								MM	20:1			
								ANGULAR TOL ± 1.0 °	DRWN BY		DATE	
								4 PLACES ± 0.01	STERUKI		2016/02/03	
						3 PLACES ± 0.03	CHK'D BY	DATE	0.35 BB CONN. SSB6 RP PLUG ASSY PRODUCT CUSTOMER DRAWING			
						2 PLACES ± 0.05	KTANAKA03	2016/02/18				
						1 PLACE ± 0.1	APPR BY	DATE				
						0 PLACES ± 0.2	KMORIKAWA	2016/02/19				
						DRAFT WHERE APPLICABLE MUST REMAIN WITHIN DIMENSIONS	DRAWING SIZE	THIRD ANGLE PROJECTION	SERIES	MATERIAL NUMBER	CUSTOMER	
							A3		505070	SEE CHART	GENERAL	
									DOCUMENT NUMBER	DOC TYPE	DOC PART	SHEET NUMBER
									5050701000	PSD	002	1 OF 2

