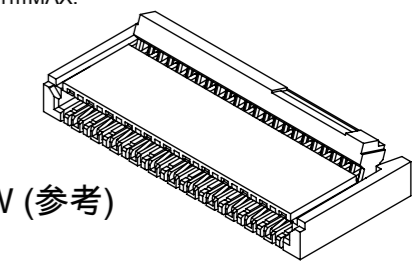


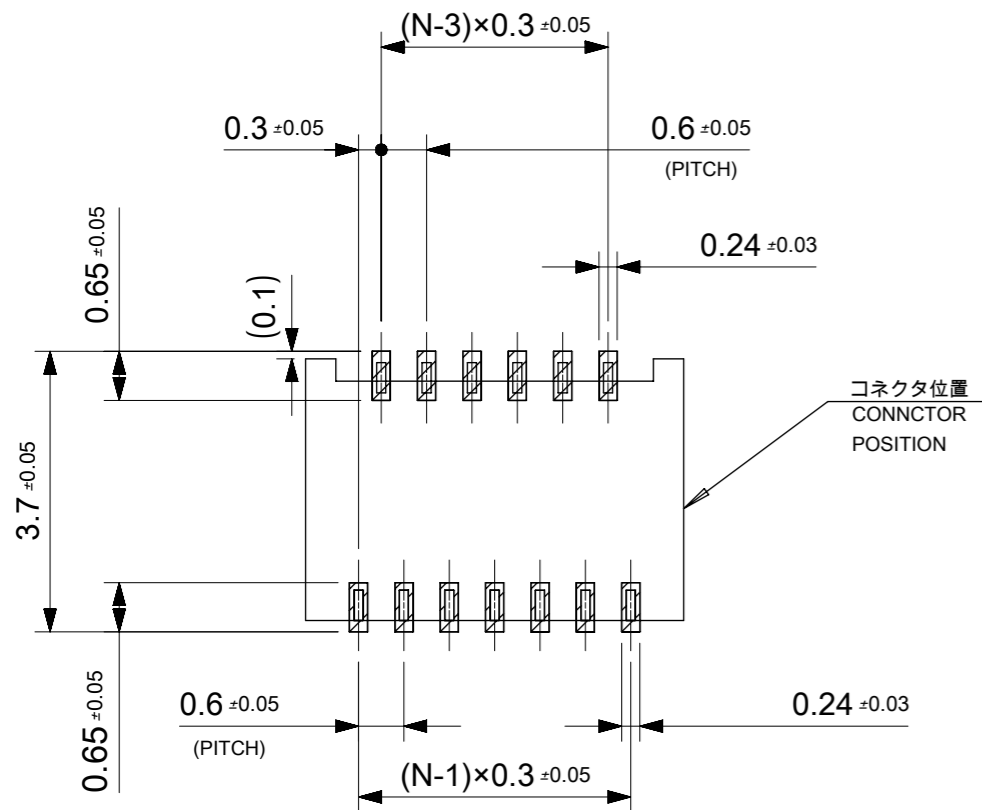
- 注記 NOTES**
1. 使用材料 MATERIALS  
 ハウジング : 液晶ポリマー(LCP)、ガラス充填、UL94 V-0、ナチュラル(白色系)  
 アクチュエータ : ポリアミド(PA)、ガラス充填、UL94、HB、黒色  
 奇数端子 : リン青銅 t=0.12mm  
 偶数端子 : リン青銅 t=0.12mm  
 HOUSING : LIQUID CRYSTAL POLYMER(LCP)、GLASS FILLED、UL94、V-0、NATURAL(WHITE)  
 ACTUATOR : POLYIMIDE(PA)、GLASS FILLED、UL94、HB、BLACK  
 ODD TERMINAL : PHOSPHOR BRONZE t=0.12mm  
 EVEN TERMINAL : PHOSPHOR BRONZE t=0.12mm
  2. メッキ仕様 PLATING  
 端子 TERMINAL  
 テール部 : 金メッキ  
 接点部 : 金メッキ 0.1μm以上  
 下地 : ニッケルメッキ 1.0μm以上  
 TAIL AREA: Gold PLATING  
 CONTACT AREA: Gold PLATING 0.1μm MINIMUM  
 UNDER PLATING: Nickel PLATING 1.0μm MINIMUM
  3. 端子の平坦度は0.1mm以下とする  
 COPLANALITY OF SOLDER TAILS: 0.1mm MAX.
  4. ELV及びRoHS適合品  
 ELV AND RoHS COMPLIANT



18.6	17.4	18.0	19.4	504740-6100	61
15.6	14.4	15.0	16.4	504740-5100	51
13.8	12.6	13.2	14.6	504740-4500	45
12.6	11.4	12.0	13.4	504740-4100	41
12.0	10.8	11.4	12.8	504740-3900	39
11.4	10.2	10.8	12.2	504740-3700	37
10.2	9.0	9.6	11.0	504740-3300	33
7.8	6.6	7.2	8.6	504740-2500	25
7.2	6.0	6.6	8.0	504740-2300	23
6.0	4.8	5.4	6.8	504740-1900	19
3.6	2.4	3.0	4.4	504740-1100	11
D	C	B	A	EMBOSSED TAPE	CIRCUITS
				ORDER NO. オーダー番号	

THIS DRAWING CONTAINS INFORMATION THAT IS PROPRIETARY TO MOLEX ELECTRONIC TECHNOLOGIES, LLC AND SHOULD NOT BE USED WITHOUT WRITTEN PERMISSION

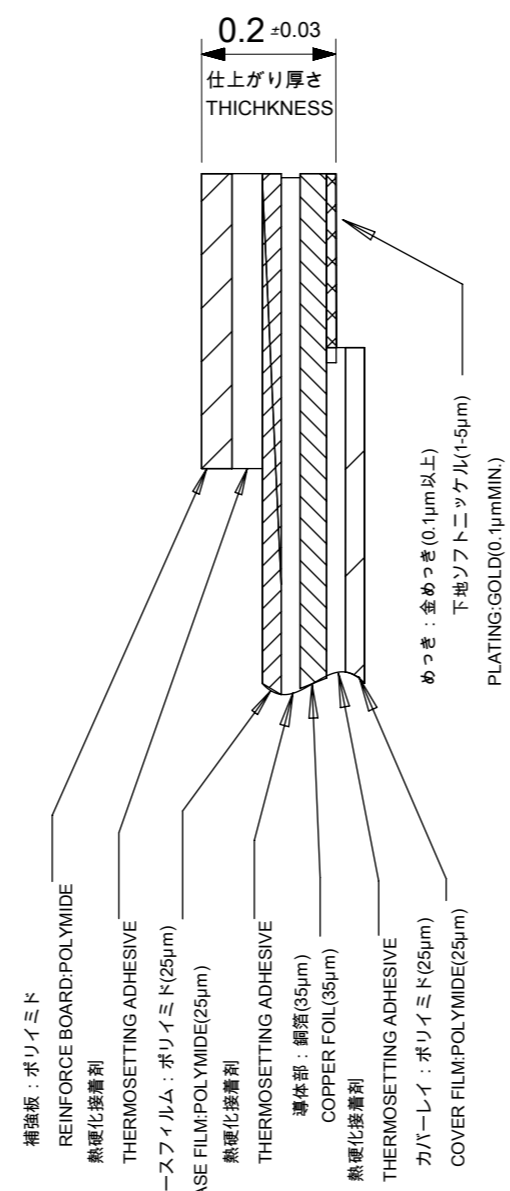
EC NO: 116601 DRWN: TYAMANE CHK'D: YKOBAYASHI02 APPR: TKUSUHARA01	2017/05/08	2017/05/08	2017/05/08	GENERAL TOLERANCES (UNLESS SPECIFIED) ANGULAR TOL ± 1.0 ° 4 PLACES ± 0.03 3 PLACES ± 0.03 2 PLACES ± 0.05 1 PLACE ± 0.1 0 PLACES ± 0.2 DRAFT WHERE APPLICABLE MUST REMAIN WITHIN DIMENSIONS	DIMENSION UNITS	SCALE		
					MM	—		
					DRWN BY	DATE		SHIRATA 2015/03/03
					CHK'D BY	DATE		KTAKAHASHI 2015/05/22
			APPR BY	DATE	KMORIKAWA 2016/08/02	PRODUCT CUSTOMER DRAWING		
			DRAWING SIZE	THIRD ANGLE PROJECTION	A3	SERIES: 504740 MATERIAL NUMBER: SEE CHART CUSTOMER: GENERAL		
						DOCUMENT NUMBER: 5047401000 DOC TYPE: PSD DOC PART: 000 SHEET NUMBER: 1 OF 2		



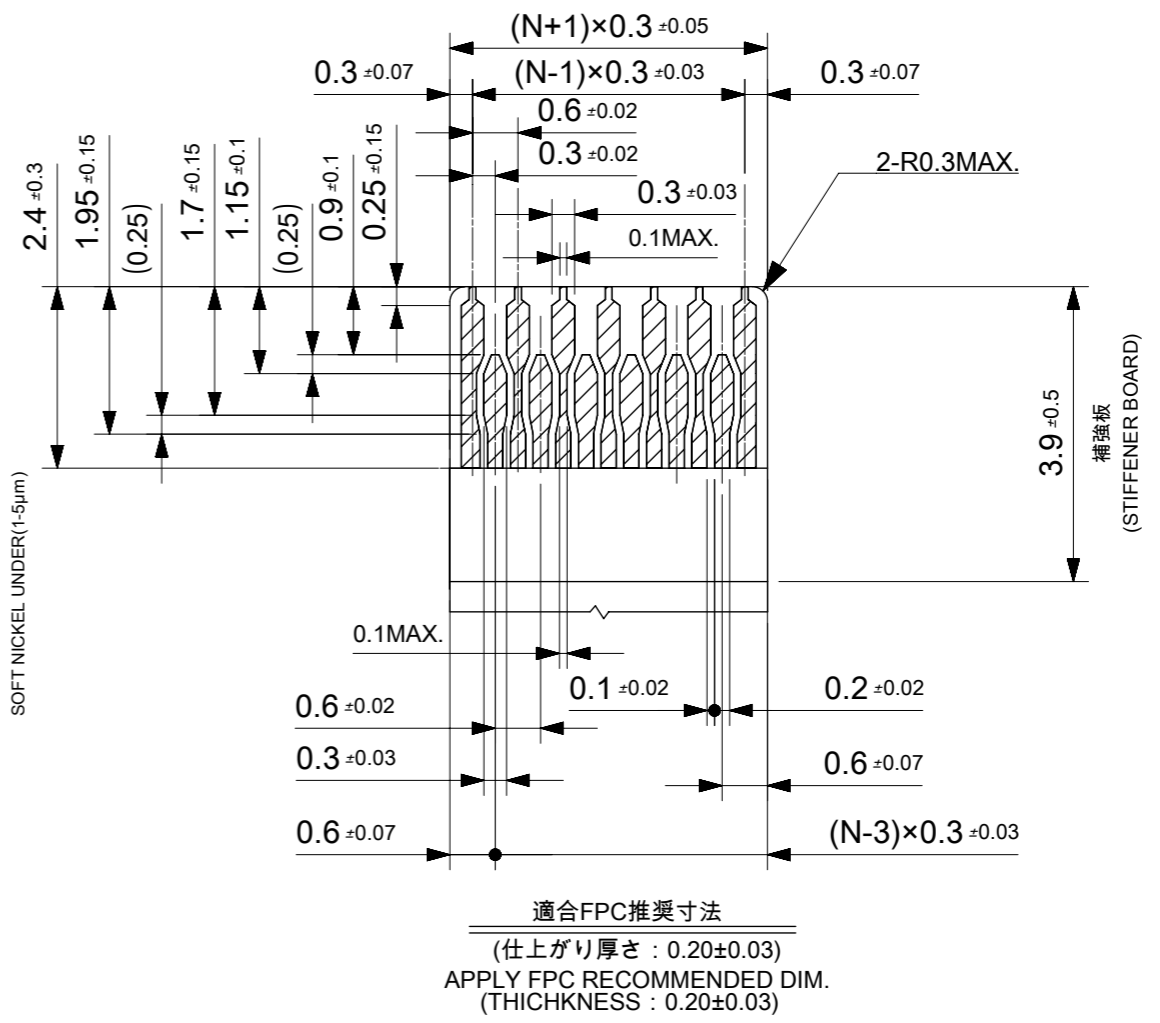
参照基板レイアウト(マウント面)  
P.W. BOARD PATTERN  
DIM.(REF)

推奨メタルマスク厚さ : 0.1mm  
RECOMMENDED METAL MASK THICKNESS : 0.1mm

推奨開口率 : 80%  
APERTURE RATE : 80%



FPC構成推奨仕様  
STRUCTURE OF FPC



適合FPC推奨寸法  
(仕上がり厚さ : 0.20±0.03)  
APPLY FPC RECOMMENDED DIM.  
(THICKNESS : 0.20±0.03)

FPCについて (ABOUT FPC)  
抜き方向は、導体側から補強版側を推奨致します。  
補強板材質はポリイミド、接着剤は熱硬化接着剤を推奨します。  
尚、接着剤の接点部への付着は導通不良の原因になりますので、染み出しが無い様、お願い致します。  
RECOMMENDED PUNCHER DIRECTION:  
FROM CONDUCTOR SIDE TO STIFFENER BOARD SIDE.  
RECOMMENDED MATERIAL:  
STIFFENER BOARD: POLYIMIDE  
BONDING AGENT: THERMOSETTING AGENT  
PLEASE PUT APPROPRIATE AMOUNT OF ADHESIVE ON ADHEREND  
BECAUSE THERE IS A POSSIBILITY THAT  
THE EXTRA ADHESIVE CAUSES THE DEFECT IN ELECTRICAL CONTINUITY.

※1 補強板の長さが図面通りに確保できない場合は、カバーレイと補強板のオーバーラップ寸法を0.5mm以上としてください。  
WHEN STIFFNER BOARD DIMENSION CAN NOT SECURE AS DRAWING, PLEASE GIVE THE OVERLAP SIZE OF COVER FILM AND STIFFNER BOARD AS 0.5mm MINIMUM.

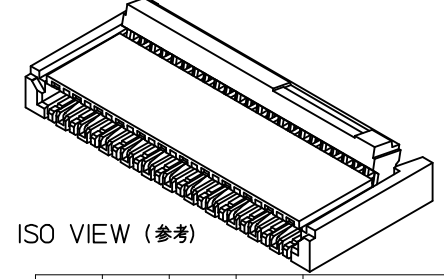
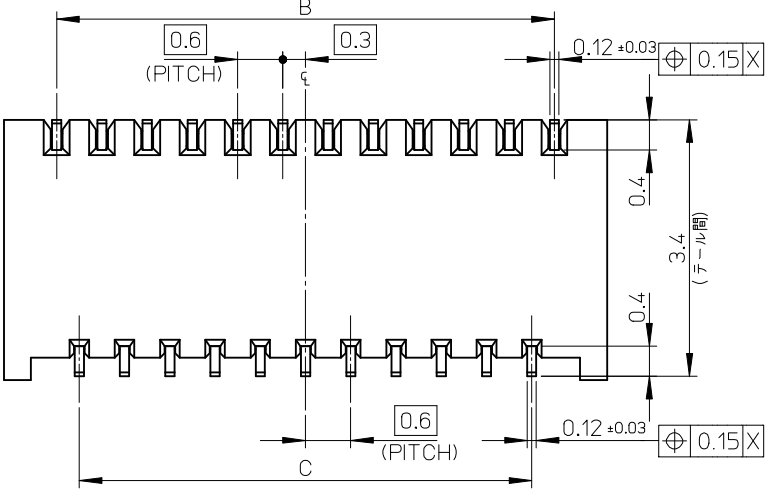
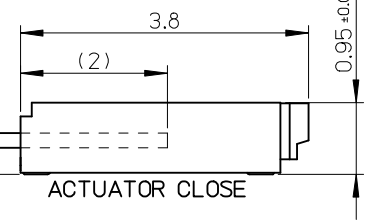
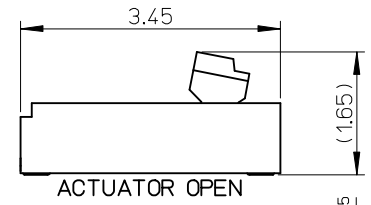
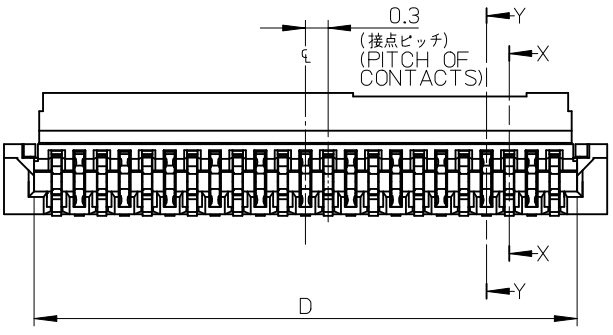
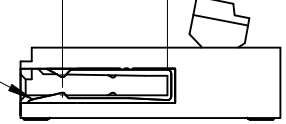
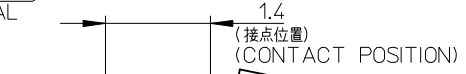
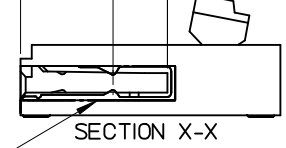
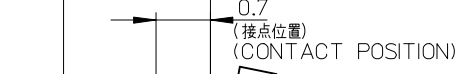
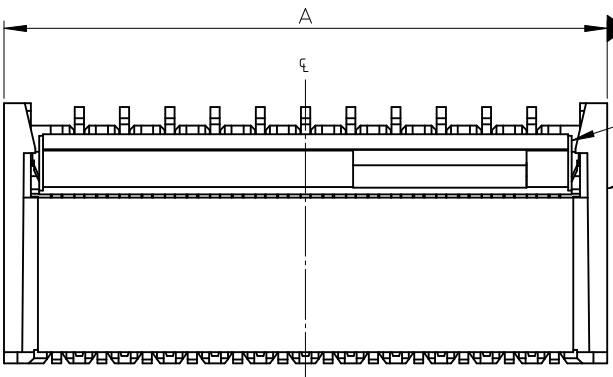
tb\_frame\_A3\_J\_AM\_S  
Rev H 2014/11/25

RELEASE STATUS	P1	RELEASE DATE	08.05.2017	09:12:54
----------------	----	--------------	------------	----------

THIS DRAWING CONTAINS INFORMATION THAT IS PROPRIETARY TO MOLEX ELECTRONIC TECHNOLOGIES, LLC AND SHOULD NOT BE USED WITHOUT WRITTEN PERMISSION																																												
EC NO: 116601 DRWN: TYAMANE CHK'D: YKOBAYASHI02 APPR: TKUSUHARA01	2017/05/08	2017/05/08	2017/05/08	<table border="1"> <tr> <td colspan="2">GENERAL TOLERANCES (UNLESS SPECIFIED)</td> <td>DIMENSION UNITS</td> <td>SCALE</td> </tr> <tr> <td colspan="2"></td> <td>MM</td> <td></td> </tr> <tr> <td colspan="2">ANGULAR TOL ± 1.0 °</td> <td>DRWN BY</td> <td>DATE</td> </tr> <tr> <td>4 PLACES</td> <td>± 0.03</td> <td>SHIRATA</td> <td>2015/03/03</td> </tr> <tr> <td>3 PLACES</td> <td>± 0.03</td> <td>CHK'D BY</td> <td>DATE</td> </tr> <tr> <td>2 PLACES</td> <td>± 0.05</td> <td>KTAKAHASHI</td> <td>2015/05/22</td> </tr> <tr> <td>1 PLACE</td> <td>± 0.1</td> <td>APPR BY</td> <td>DATE</td> </tr> <tr> <td>0 PLACES</td> <td>± 0.2</td> <td>KMORIKAWA</td> <td>2016/08/02</td> </tr> <tr> <td colspan="2">DRAFT WHERE APPLICABLE MUST REMAIN WITHIN DIMENSIONS</td> <td>DRAWING SIZE</td> <td>THIRD ANGLE PROJECTION</td> </tr> <tr> <td colspan="2"></td> <td>A3</td> <td></td> </tr> </table>	GENERAL TOLERANCES (UNLESS SPECIFIED)		DIMENSION UNITS	SCALE			MM		ANGULAR TOL ± 1.0 °		DRWN BY	DATE	4 PLACES	± 0.03	SHIRATA	2015/03/03	3 PLACES	± 0.03	CHK'D BY	DATE	2 PLACES	± 0.05	KTAKAHASHI	2015/05/22	1 PLACE	± 0.1	APPR BY	DATE	0 PLACES	± 0.2	KMORIKAWA	2016/08/02	DRAFT WHERE APPLICABLE MUST REMAIN WITHIN DIMENSIONS		DRAWING SIZE	THIRD ANGLE PROJECTION			A3	
	GENERAL TOLERANCES (UNLESS SPECIFIED)		DIMENSION UNITS		SCALE																																							
			MM																																									
	ANGULAR TOL ± 1.0 °		DRWN BY		DATE																																							
	4 PLACES	± 0.03	SHIRATA		2015/03/03																																							
3 PLACES	± 0.03	CHK'D BY	DATE																																									
2 PLACES	± 0.05	KTAKAHASHI	2015/05/22																																									
1 PLACE	± 0.1	APPR BY	DATE																																									
0 PLACES	± 0.2	KMORIKAWA	2016/08/02																																									
DRAFT WHERE APPLICABLE MUST REMAIN WITHIN DIMENSIONS		DRAWING SIZE	THIRD ANGLE PROJECTION																																									
		A3																																										
<table border="1"> <tr> <td colspan="3">PRODUCT CUSTOMER DRAWING</td> </tr> <tr> <td>SERIES</td> <td>MATERIAL NUMBER</td> <td>CUSTOMER</td> </tr> <tr> <td>504740</td> <td>SEE CHART</td> <td>GENERAL</td> </tr> </table>				PRODUCT CUSTOMER DRAWING			SERIES	MATERIAL NUMBER	CUSTOMER	504740	SEE CHART	GENERAL																																
				PRODUCT CUSTOMER DRAWING																																								
SERIES	MATERIAL NUMBER	CUSTOMER																																										
504740	SEE CHART	GENERAL																																										
0.3 FPC CONN. BF H=0.95 HOUSING ASSY		<table border="1"> <tr> <td>DOCUMENT NUMBER</td> <td>DOC TYPE</td> <td>DOC PART</td> <td>SHEET NUMBER</td> </tr> <tr> <td>5047401000</td> <td>PSD</td> <td>000</td> <td>2 OF 2</td> </tr> </table>			DOCUMENT NUMBER	DOC TYPE	DOC PART	SHEET NUMBER	5047401000	PSD	000	2 OF 2																																
DOCUMENT NUMBER	DOC TYPE	DOC PART	SHEET NUMBER																																									
5047401000	PSD	000	2 OF 2																																									

注記 NOTES

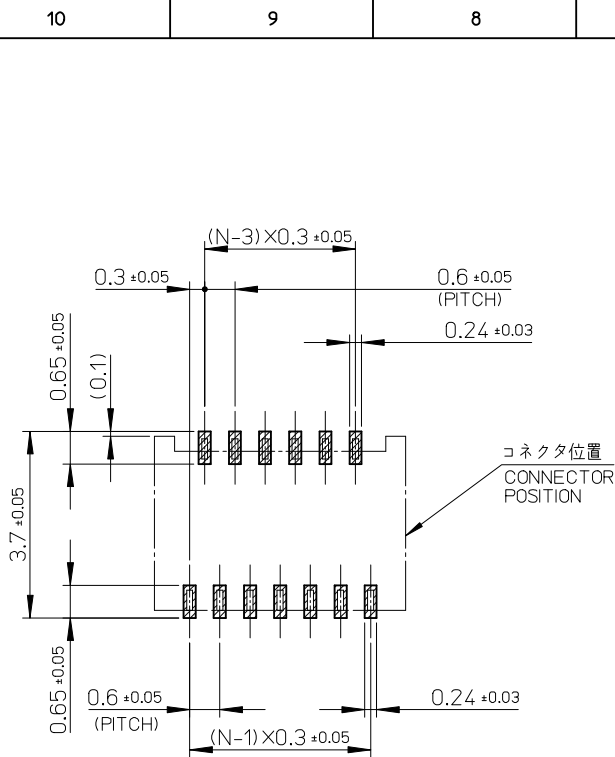
- 使用材料 MATERIALS  
 ハウジング : 液晶ポリマー (LCP)、ガラス充填、UL94 V-0、ナチュラル (白色系)  
 アクチュエータ: ポリアミド (PA)、ガラス充填、UL94 HB、黒色  
 奇数端子 : リン青銅 t=0.12mm  
 偶数端子 : リン青銅 t=0.12mm  
 HOUSING : LIQUID CRYSTAL POLYMER (LCP)、GLASS FILLED、UL94 V-0、NATURAL (WHITE)  
 ACTUATOR : POLYAMIDE (PA)、GLASS FILLED、UL94 HB、BLACK  
 ODD TERMINAL : PHOSPHOR BRONZE t=0.12mm  
 EVEN TERMINAL : PHOSPHOR BRONZE t=0.12mm
- メッキ仕様 PLATING  
 端子 TERMINAL  
 テール部: 金メッキ  
 接点部: 金メッキ 0.1μm以上  
 下地: ニッケルメッキ 1.0μm以上  
 TAIL AREA : Gold PLATING  
 CONTACT AREA : Gold PLATING 0.1μm MINIMUM  
 UNDER PLATING : Nickel PLATING 1.0μm MINIMUM
- 端子の平坦度は0.1mm以下とする  
 COPLANALITY OF SOLDER TAILS: 0.1mmMAX.
- ELV及びRoHS適合品  
 ELV AND RoHS COMPLIANT



18.6	17.4	18.0	19.4	504740-6100	61
15.6	14.4	15.0	16.4	504740-5100	51
13.8	12.6	13.2	14.6	504740-4500	45
12.6	11.4	12.0	13.4	504740-4100	41
12.0	10.8	11.4	12.8	504740-3900	39
11.4	10.2	10.8	12.2	504740-3700	37
10.2	9.0	9.6	11.0	504740-3300	33
7.2	6.0	6.6	8.0	504740-2300	23
6.0	4.8	5.4	6.8	504740-1900	19
D	C	B	A	EMBOSSED TAPE	CIRCUITS
				ORDER NO. オーダー番号	

CONNECTOR SERIES NO. 504740-\*\*-09

REVISED EC NO: J2015-1144 DR: M. N. SANUMA 2015/03/06 CHK: K. TAKAHASHI 2015/04/13 APPR: Y. NOGAWA 2015/04/14	GENERAL TOLERANCES (UNLESS SPECIFIED)		DIMENSION STYLE MM ONLY		SCALE	DESIGN UNITS METRIC	THIRD ANGLE PROJECTION
	0.25 UNDER	±0.03	DRAWN BY	DATE	TITLE	0.3 FPC CONN. BACK FLIP HGT=0.95MM HOUSING ASSY <b>molex</b> DOCUMENT NO. SD-504740-001 SHEET NO. 1 OF 2	
	0.25 OVER 0.5 UNDER	±0.05	TONO	2013/07/17			
	0.5 OVER 1.0 UNDER	±0.1	CHECKED BY	DATE			
	1.0 OVER 10 UNDER	±0.2	HIJIMA	2013/07/17			
10 OVER 30 UNDER	±0.25	APPROVED BY	DATE				
30 OVER	±0.3	YNOGAWA	2014/03/05				
ANGULAR	±1 °	MATERIAL NO.		SEE CHART			
DRAFT WHERE APPLICABLE MUST REMAIN WITHIN DIMENSIONS			SIZE	THIS DRAWING CONTAINS INFORMATION THAT IS PROPRIETARY TO MOLEX INCORPORATED AND SHOULD NOT BE USED WITHOUT WRITTEN PERMISSION			



参照基板レイアウト(マウント面)

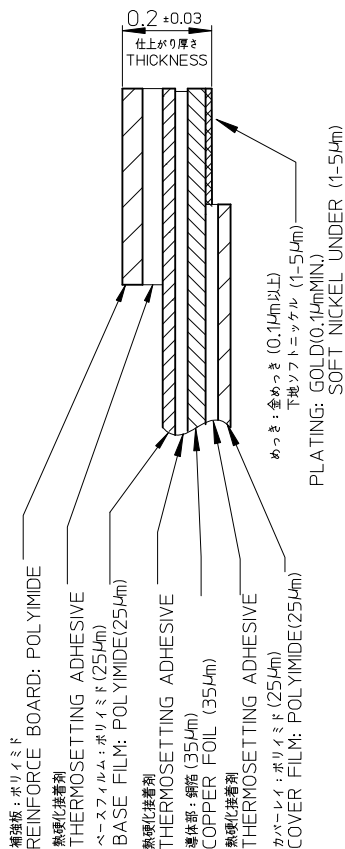
P.W. BOARD PATTERN  
DIM.(REF)

推奨メタルマスク厚さ : 0.1mm

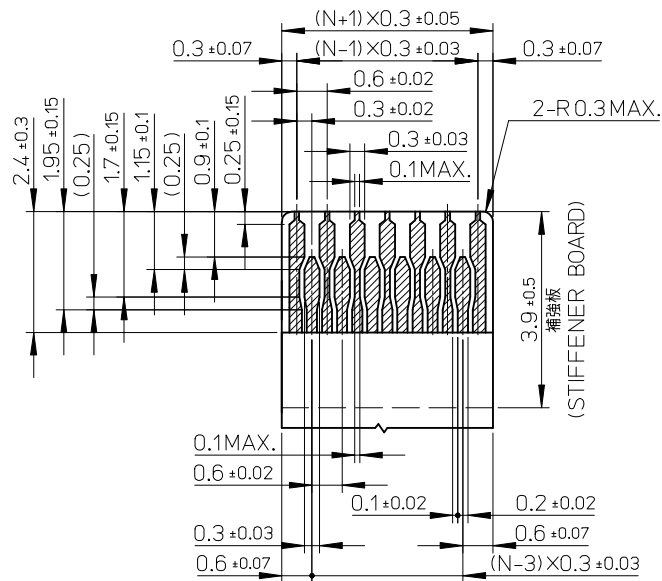
RECOMMENDED METAL MASK THICKNESS : 0.1mm

推奨開口率 : 80%

APERTURE RATE : 80%



FPC構成推奨仕様  
STRUCTURE OF FPC



適合FPC推奨寸法

(仕上がり厚さ : 0.20 ± 0.03)

APPLY FPC RECOMMENDED DIM.  
(THICKNESS : 0.20 ± 0.03)

FPCについて (ABOUT FPC)

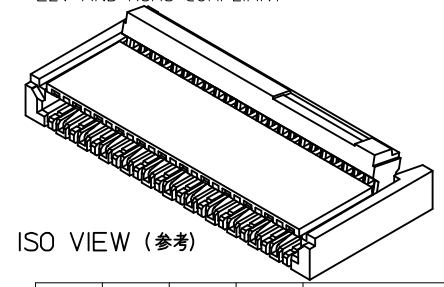
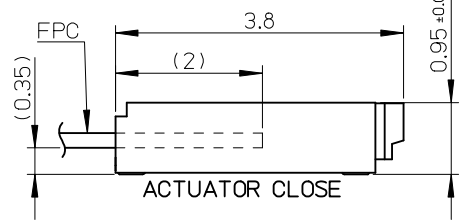
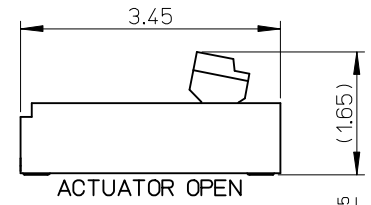
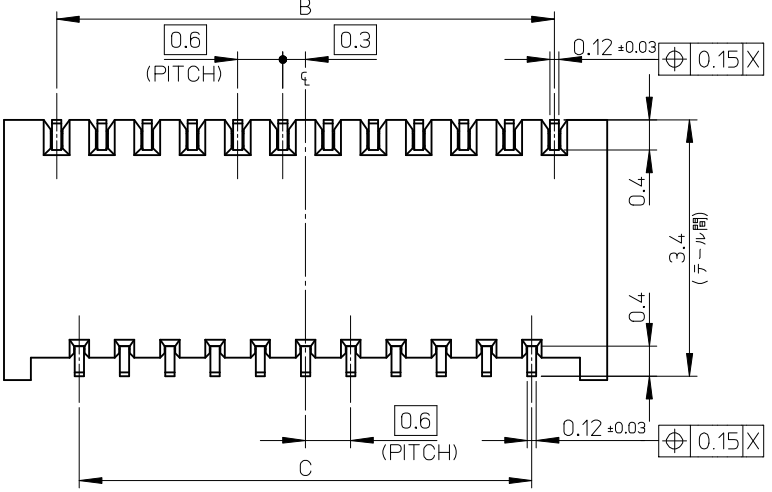
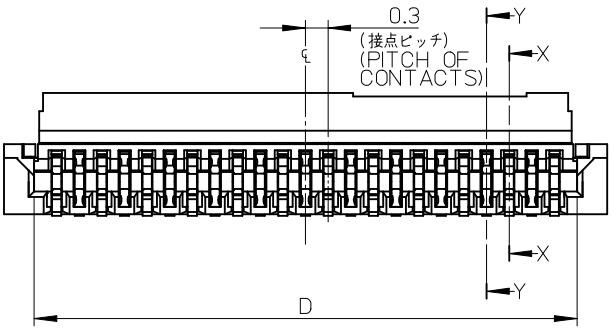
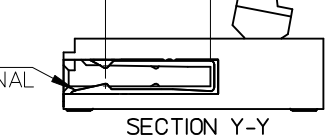
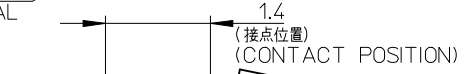
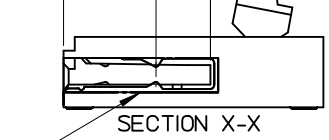
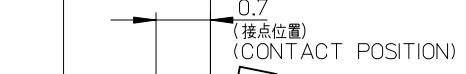
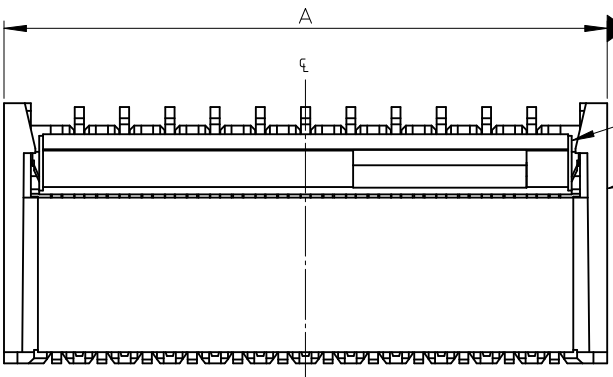
抜き方向は、導体側から補強版側を推奨致します。  
補強板材質はポリイミド、接着剤は熱硬化接着剤を推奨します。  
尚、接着剤の接点部への付着は導通不良の原因になりますので、染み出しが無い様、お願い致します。  
RECOMMENDED PUNCHER DIRECTION:  
FROM CONDUCTOR SIDE TO STIFFENER BOARD SIDE.  
RECOMMENDED MATERIAL:  
STIFFENER BOARD: POLYIMIDE  
BONDING AGENT: THERMOSETTING AGENT  
PLEASE PUT APPROPRIATE AMOUNT OF ADHESIVE ON ADHEREND  
BECAUSE THERE IS A POSSIBILITY THAT  
THE EXTRA ADHESIVE CAUSES THE DEFECT IN ELECTRICAL CONTINUITY.

※1 補強板の長さが図面通りに確保できない場合は、カバーレイと補強板のオーバーラップ寸法を0.5mm以上としてください。  
WHEN STIFFENER BOARD DIMENSION CAN NOT SECURE AS DRAWING, PLEASE GIVE THE OVERLAP SIZE OF COVER FILM AND STIFFENER BOARD AS 0.5mm MINIMUM.

GENERAL TOLERANCES (UNLESS SPECIFIED)				DIMENSION STYLE		SCALE	DESIGN UNITS	THIRD ANGLE PROJECTION	
				MM ONLY			METRIC		
0.25	UNDER			±0.03	DRAWN BY	DATE	TITLE		
0.25	OVER	0.5	UNDER	±0.05	TONO	2013/07/17	0.3 FPC CONN. BACK FLIP HGT=0.95MM HOUSING ASSY <b>molex</b>		
0.5	OVER	1.0	UNDER	±0.1	CHECKED BY	DATE			
1.0	OVER	10	UNDER	±0.2	HIJIMA	2013/07/17			
10	OVER	30	UNDER	±0.25	APPROVED BY	DATE			
30	OVER			±0.3	YNOGAWA	2014/03/05			
ANGULAR ±1 °				MATERIAL NO.		DOCUMENT NO.		SHEET NO.	
DRAFT WHERE APPLICABLE MUST REMAIN WITHIN DIMENSIONS				SEE SHEET 1 OF 2		SD-504740-001		2 OF 2	
				SIZE A3		THIS DRAWING CONTAINS INFORMATION THAT IS PROPRIETARY TO MOLEX INCORPORATED AND SHOULD NOT BE USED WITHOUT WRITTEN PERMISSION			

注記 NOTES

- 使用材料 MATERIALS  
 ハウジング : 液晶ポリマー (LCP)、ガラス充填、UL94 V-0、ナチュラル (白色系)  
 アクチュエータ: ポリアミド (PA)、ガラス充填、UL94 HB、黒色  
 奇数端子 : リン青銅 t=0.12mm  
 偶数端子 : リン青銅 t=0.12mm  
 HOUSING : LIQUID CRYSTAL POLYMER (LCP)、GLASS FILLED、UL94 V-0、NATURAL (WHITE)  
 ACTUATOR : POLYAMIDE (PA)、GLASS FILLED、UL94 HB、BLACK  
 ODD TERMINAL : PHOSPHOR BRONZE t=0.12mm  
 EVEN TERMINAL : PHOSPHOR BRONZE t=0.12mm
- メッキ仕様 PLATING  
 端子 TERMINAL  
 テール部: 金メッキ  
 接点部: 金メッキ 0.1μm以上  
 下地: ニッケルメッキ 1.0μm以上  
 TAIL AREA : Gold PLATING  
 CONTACT AREA : Gold PLATING 0.1μm MINIMUM  
 UNDER PLATING : Nickel PLATING 1.0μm MINIMUM
- 端子の平坦度は0.1mm以下とする  
 COPLANALITY OF SOLDER TAILS: 0.1mmMAX.
- ELV及びRoHS適合品  
 ELV AND RoHS COMPLIANT

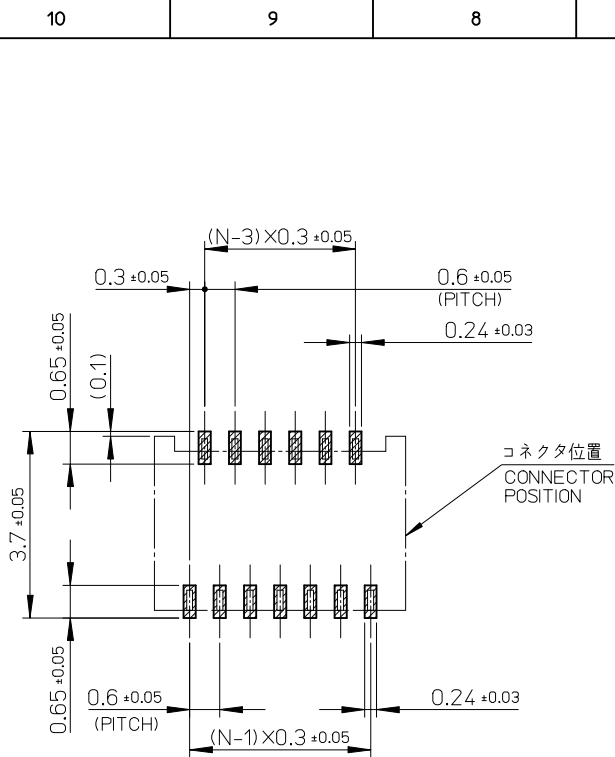


ISO VIEW (参考)

18.6	17.4	18.0	19.4	504740-6100	61
15.6	14.4	15.0	16.4	504740-5100	51
13.8	12.6	13.2	14.6	504740-4500	45
12.6	11.4	12.0	13.4	504740-4100	41
12.0	10.8	11.4	12.8	504740-3900	39
11.4	10.2	10.8	12.2	504740-3700	37
10.2	9.0	9.6	11.0	504740-3300	33
7.2	6.0	6.6	8.0	504740-2300	23
6.0	4.8	5.4	6.8	504740-1900	19
D	C	B	A	EMBOSSED TAPE	CIRCUITS
				ORDER NO. オーダー番号	

CONNECTOR SERIES NO. 504740-\*\*-09

REVISED EC NO: J2015-1144 DR: M. N. SANUMA 2015/03/06 CHK: K. TAKAHASHI 2015/04/13 APPR: Y. NOGAWA 2015/04/14	GENERAL TOLERANCES (UNLESS SPECIFIED)		DIMENSION STYLE MM ONLY		SCALE	DESIGN UNITS METRIC	TITLE 0.3 FPC CONN. BACK FLIP HGT=0.95MM HOUSING ASSY <b>molex</b>
	0.25 UNDER	±0.03	DRAWN BY	DATE	TITLE	DOCUMENT NO. SD-504740-001 SHEET NO. 1 OF 2	
	0.25 OVER 0.5 UNDER	±0.05	TONO	2013/07/17	0.3 FPC CONN. BACK FLIP		
	0.5 OVER 1.0 UNDER	±0.1	CHECKED BY	DATE	HGT=0.95MM		
	1.0 OVER 10 UNDER	±0.2	HIJIMA	2013/07/17	HOUSING ASSY		
10 OVER 30 UNDER	±0.25	APPROVED BY	DATE	<b>molex</b>			
30 OVER	±0.3	YNOGAWA	2014/03/05	SEE CHART			
ANGULAR	±1 °	MATERIAL NO.					
DRAFT WHERE APPLICABLE MUST REMAIN WITHIN DIMENSIONS			SIZE	THIS DRAWING CONTAINS INFORMATION THAT IS PROPRIETARY TO MOLEX INCORPORATED AND SHOULD NOT BE USED WITHOUT WRITTEN PERMISSION			



参照基板レイアウト(マウント面)

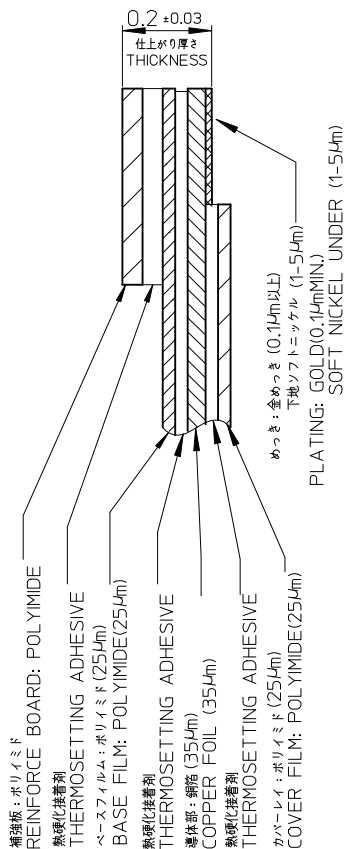
P.W. BOARD PATTERN  
DIM.(REF)

推奨メタルマスク厚さ : 0.1mm

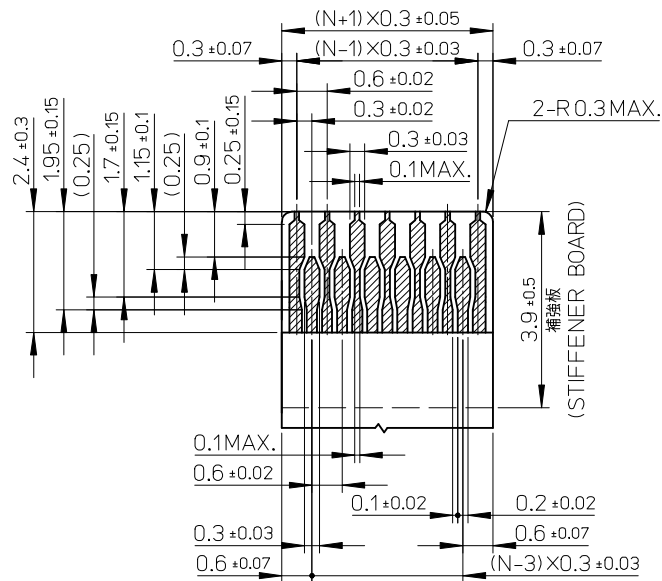
RECOMMENDED METAL MASK THICKNESS : 0.1mm

推奨開口率 : 80%

APERTURE RATE : 80%



FPC構成推奨仕様  
STRUCTURE OF FPC



適合FPC推奨寸法

(仕上がり厚さ : 0.20 ± 0.03)

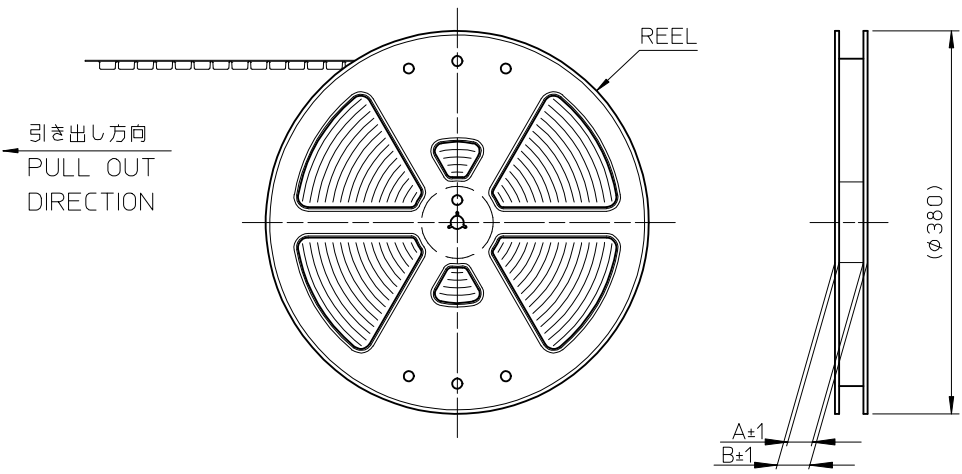
APPLY FPC RECOMMENDED DIM.  
(THICKNESS : 0.20 ± 0.03)

FPCについて (ABOUT FPC)

抜き方向は、導体側から補強版側を推奨致します。  
補強板材質はポリイミド、接着剤は熱硬化接着剤を推奨します。  
尚、接着剤の接点部への付着は導通不良の原因になりますので、染み出しが無い様、お願い致します。  
RECOMMENDED PUNCHER DIRECTION:  
FROM CONDUCTOR SIDE TO STIFFENER BOARD SIDE.  
RECOMMENDED MATERIAL:  
STIFFENER BOARD: POLYIMIDE  
BONDING AGENT: THERMOSETTING AGENT  
PLEASE PUT APPROPRIATE AMOUNT OF ADHESIVE ON ADHEREND  
BECAUSE THERE IS A POSSIBILITY THAT  
THE EXTRA ADHESIVE CAUSES THE DEFECT IN ELECTRICAL CONTINUITY.

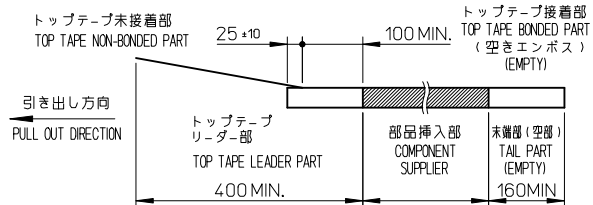
※1 補強板の長さが図面通りに確保できない場合は、カバーレイと補強板のオーバーラップ寸法を0.5mm以上としてください。  
WHEN STIFFENER BOARD DIMENSION CAN NOT SECURE AS DRAWING, PLEASE GIVE THE OVERLAP SIZE OF COVER FILM AND STIFFENER BOARD AS 0.5mm MINIMUM.

GENERAL TOLERANCES (UNLESS SPECIFIED)				DIMENSION STYLE		SCALE	DESIGN UNITS	THIRD ANGLE PROJECTION	
				MM ONLY			METRIC		
0.25	UNDER			±0.03	DRAWN BY	DATE	TITLE		
0.25	OVER	0.5	UNDER	±0.05	TONO	2013/07/17	0.3 FPC CONN. BACK FLIP		
0.5	OVER	1.0	UNDER	±0.1	CHECKED BY	DATE	HGT=0.95MM		
1.0	OVER	10	UNDER	±0.2	HIJIMA	2013/07/17	HOUSING ASSY		
10	OVER	30	UNDER	±0.25	APPROVED BY	DATE	<b>molex</b>		
30	OVER			±0.3	YNOGAWA	2014/03/05			
ANGULAR ±1 °				MATERIAL NO.		DOCUMENT NO.		SHEET NO.	
DRAFT WHERE APPLICABLE MUST REMAIN WITHIN DIMENSIONS				SEE SHEET 1 OF 2		SD-504740-001		2 OF 2	
				SIZE A3		THIS DRAWING CONTAINS INFORMATION THAT IS PROPRIETARY TO MOLEX INCORPORATED AND SHOULD NOT BE USED WITHOUT WRITTEN PERMISSION			

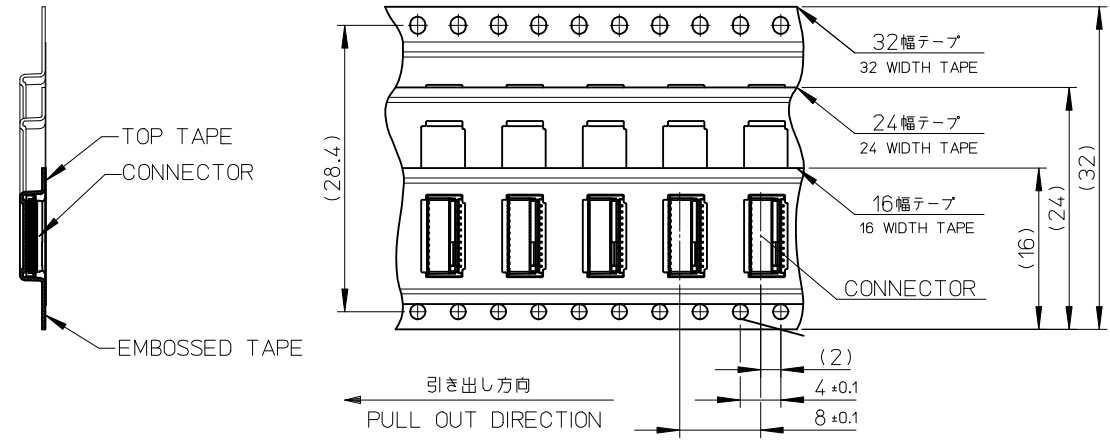


**NOTES**

- 製品詳細寸法については、図面 SD-504740-001をご参照下さい。  
REFER TO THE SD-504740-001 ABOUT DIMENSIONS IN DETAIL.
- 梱包数量 : 5000 個/リール  
NUMBER OF CONNECTORS : 5000 PCS/REEL
- リードテープ長さ  
LEAD TAPE LENGTH



- トップテープの剥離強度については、IEC60286-3 に準拠  
TOP TAPE PEEL FORCE IS DEFINED BY IEC60286-3.
- 材料  
キャリアテープ : ポリスチレン (PS)  
トップテープ : PET, OTHER  
リール : ポリスチレン (PS) <リサイクル材を含む>  
MATERIAL  
CARRIER TAPE : POLYSTYRENE(PS)  
TOP TAPE : PET, OTHER  
REEL : POLYSTYRENE(PS)  
<RECYCLE MATERIAL CONTAINED>



32	37.4	33.4	504740-6100	61
			504740-5100	51
24	29.4	25.4	504740-4500	45
			504740-4100	41
			504740-3900	39
			504740-3700	37
			504740-3300	33
16	21.4	17.4	504740-2300	23
			504740-1900	19
テープ幅 TAPE WIDTH	B	A	EMBOSSSED PACKAGE オーダー番号 ORDER NO.	CIRCUIT
CONNECTOR SERIES NO.			504740-**09	

エンボステープ内の製品の向き  
DIRECTION OF CONNECTOR IN  
EMBOSSSED TAPE

REVISED EC NO: J2015-1144 DRWN:NASUNUMA 2015/03/06 CHKD:KAKAHASHI 2015/04/13 APPR:YNOGAWA 2015/04/14	GENERAL TOLERANCES (UNLESS SPECIFIED)			DIMENSION STYLE MM ONLY		SCALE 4:0	DESIGN UNITS METRIC	THIRD ANGLE PROJECTION
	0.25 UNDER	UNDER	±0.03	DRAWN BY TONO	DATE 2013/07/25	TITLE 0.3 FPC CONN. BACK FLIP HGT=0.95MM EMBSTP PKG		
	0.25 OVER	0.5 UNDER	±0.05	CHECKED BY HIIJIMA	DATE 2013/07/25			
	0.5 OVER	1.0 UNDER	±0.1	APPROVED BY YNOGAWA	DATE 2014/03/05			
	1.0 OVER	30 UNDER	±0.2	MATERIAL NO.	DOCUMENT NO.	SHEET NO.		
10 OVER	30 UNDER	±0.25	SEE CHART		SD-504740-002			
30 OVER		±0.3	THIS DRAWING CONTAINS INFORMATION THAT IS PROPRIETARY TO MOLEX INCORPORATED AND SHOULD NOT BE USED WITHOUT WRITTEN PERMISSION					
ANGULAR	±1 °							
DRAFT WHERE APPLICABLE MUST REMAIN WITHIN DIMENSIONS								