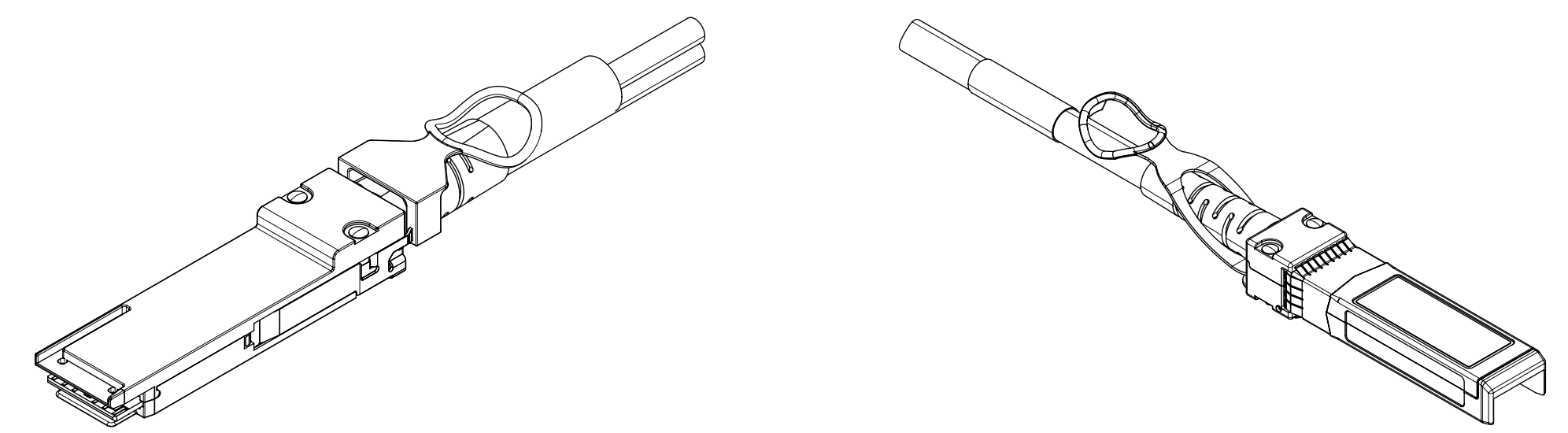


SEE SHEET 3 FOR zSFP+ LEG IDENTIFICATION LABEL DETAIL

| MOLEX P/N | LENGTH(M) | TOL.(M) | AWG | RAW CABLE |
|------------|-----------|---------|-----|-----------|
| 2058971052 | 0.5 | 0.05 | 30 | TEMPFLEX |
| 2058971102 | 1.0 | 0.05 | 30 | |
| 2058971152 | 1.5 | 0.08 | 30 | |
| 2058971202 | 2.0 | 0.08 | 30 | |
| 2058973102 | 1.0 | 0.05 | 26 | |
| 2058973152 | 1.5 | 0.08 | 26 | |
| 2058973202 | 2.0 | 0.08 | 26 | |
| 2058973252 | 2.5 | 0.08 | 26 | |
| 2058973302 | 3.0 | 0.08 | 26 | |

LENGTHS BELOW 1M MAY NOT MEET ALL PARAMETERS OF 802.3cd

- NOTES:
- MATERIALS:
 - RAW CABLE- 2 TWIN-AX PAIRS, PVC JACKET
 - BACKSHELLS - ZINC DIECAST WITH BRIGHT NICKEL PLATING
 - RIVETS - STAINLESS STEEL
 - IMPEDANCE - 100 OHMS DIFFERENTIAL
 - RoHS COMPLIANT, NO EXEMPTIONS
 - EEPROM SPEC IS COMPLIANT TO SFF 8636 REV 2.7 AT zQSFP+ END AND SFF 8472 REV 12.2 AT zSFP+ END
 - EEPROM MAP AVAILABLE UPON REQUEST



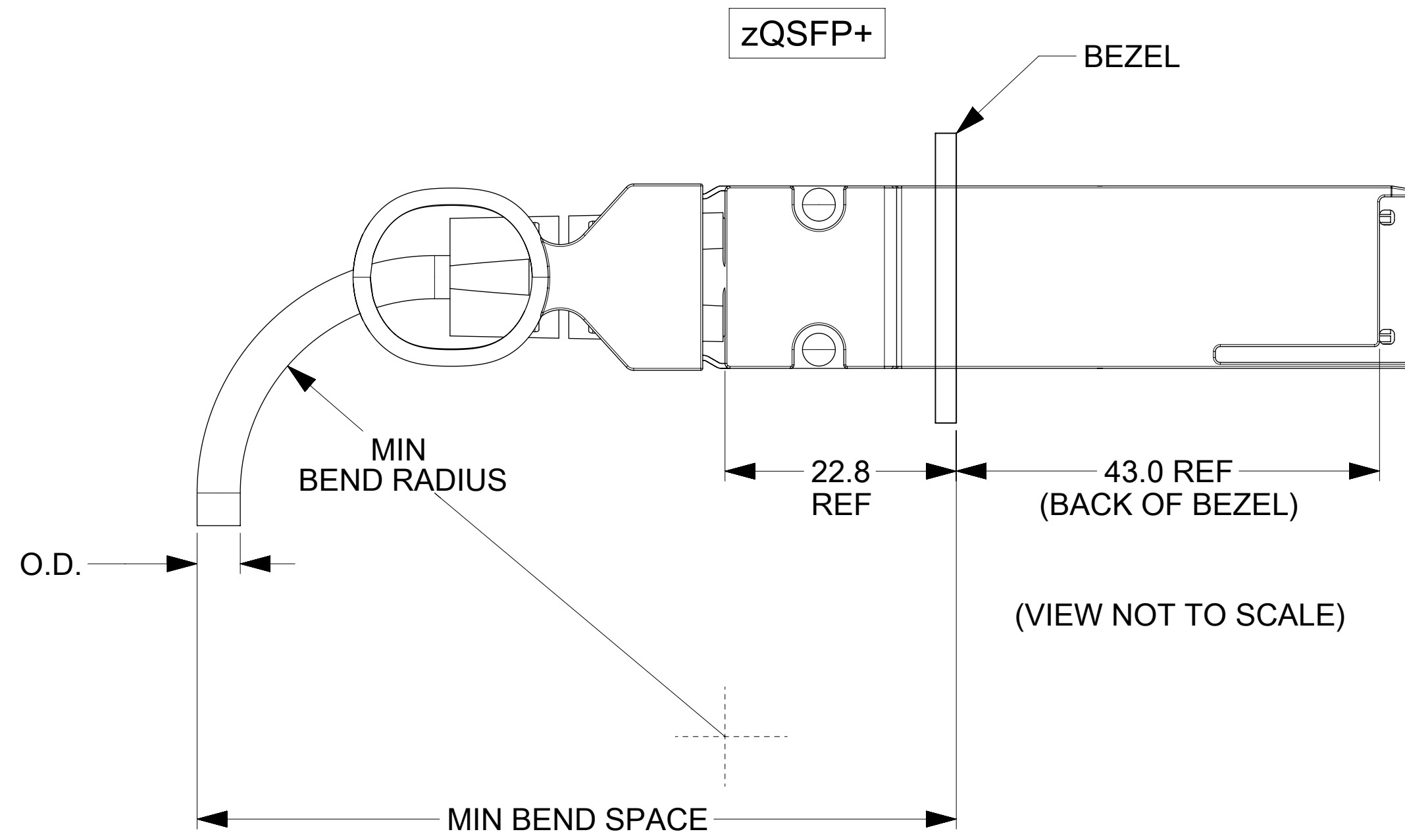
| | | | | | | | | | | | |
|---|---|--|----------------------|-------------------|-----------------------|------------------------|------------------------------------|----------------------------------|--|----------------------------|--|
| QUALITY SYMBOLS F = 0 E = 0 E = 0 C = 0 C = 0 X = 0 = 0 V = 0 | THIS DRAWING CONTAINS INFORMATION THAT IS PROPRIETARY TO MOLEX ELECTRONIC TECHNOLOGIES, LLC AND SHOULD NOT BE USED WITHOUT WRITTEN PERMISSION | | | | DIMENSION UNITS mm | | SCALE 1.5:1 | | | | |
| | GENERAL TOLERANCES (UNLESS SPECIFIED) | | DRWN BY SJKG | | DATE 2017/10/31 | | ZQSFP+ TO 4ZSFP+ PAM4 56G CBL ASSY | | | | |
| | ANGULAR TOL ± 1.0 ° | | CHKD BY KNAGANNA | | DATE 2017/11/22 | | | | | PRODUCT CUSTOMER DRAWING | |
| | 4 PLACES ± | | APPR BY EMEDINA02 | | DATE 2017/11/22 | | SERIES 205897 | | | | |
| 3 PLACES ± | | DRAFT WHERE APPLICABLE MUST REMAIN WITHIN DIMENSIONS | | DRAWING SIZE D | | THIRD ANGLE PROJECTION | | MATERIAL NUMBER SEE P/N TABLE | | CUSTOMER GENERAL MARKET | |
| 2 PLACES ± 0.13 | | EC NO: 171930 | | DRWN: SJKG | | CHKD: SJKG | | DOCUMENT NUMBER 2058971052 | | DOC TYPE PSD | |
| 1 PLACE ± 0.25 | | REV: APPR: ARAYBURN | | EC NO: 171930 | | CHKD: SJKG | | DOC PART 000 | | SHEET NUMBER 1 OF 3 | |
| 0 PLACES ± | | B | | EC NO: 171930 | | CHKD: SJKG | | DOC PART 000 | | SHEET NUMBER 1 OF 3 | |

| WIRING DIAGRAM | | | | | |
|----------------|--------|--------|-----|------|----|
| zQSFP+ | | zSFP+ | | PLUG | |
| PAD | SIGNAL | SIGNAL | PAD | | |
| 38 | GND | ---- | GND | A | |
| 37 | TX1- | ---> | RD- | | 12 |
| 36 | TX1+ | ---> | RD+ | | 13 |
| 19 | GND | ---- | GND | | 18 |
| 17 | RX1+ | <--- | TD+ | 18 | |
| 18 | RX1- | <--- | TD- | 19 | |
| 01 | GND | ---- | GND | B | |
| 02 | TX2- | ---> | RD- | | 12 |
| 03 | TX2+ | ---> | RD+ | | 13 |
| 20 | GND | ---- | GND | | 18 |
| 22 | RX2+ | <--- | TD+ | 18 | |
| 21 | RX2- | <--- | TD- | 19 | |
| 35 | GND | ---- | GND | C | |
| 34 | TX3- | ---> | RD- | | 12 |
| 33 | TX3+ | ---> | RD+ | | 13 |
| 16 | GND | ---- | GND | | 18 |
| 14 | RX3+ | <--- | TD+ | 18 | |
| 15 | RX3- | <--- | TD- | 19 | |
| 04 | GND | ---- | GND | D | |
| 05 | TX4- | ---> | RD- | | 12 |
| 06 | TX4+ | ---> | RD+ | | 13 |
| 23 | GND | ---- | GND | | 18 |
| 25 | RX4+ | <--- | TD+ | 18 | |
| 24 | RX4- | <--- | TD- | 19 | |

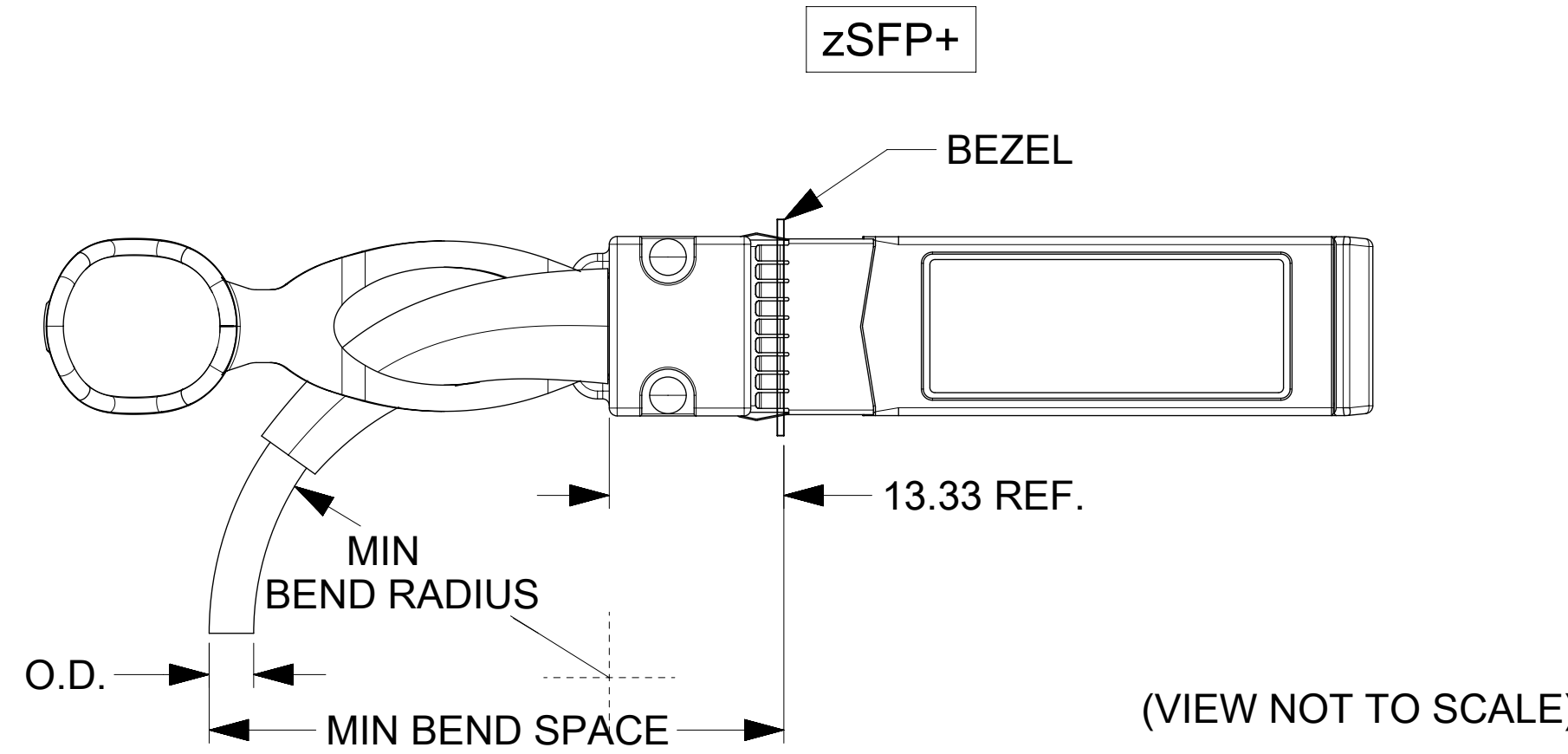
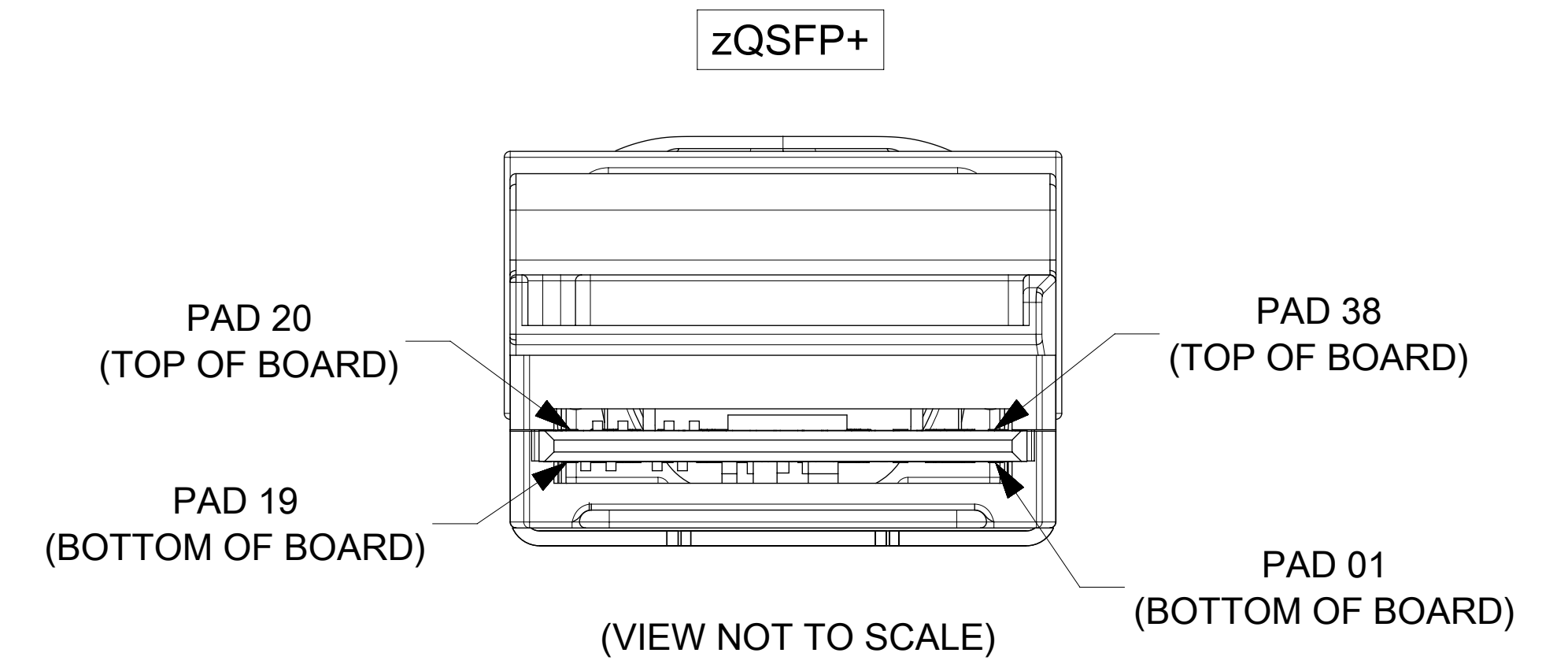
| LOW SPEED SIGNALS zQSFP+ | |
|-----------------------------|---------|
| PAD | SIGNAL |
| 08 | ModSelL |
| 09 | ResetL |
| 10 | VccRx |
| 11 | SCL |
| 12 | SDA |
| 27 | ModPrsL |
| 28 | IntL |
| 29 | VccTx |
| 30 | Vcc1 |
| 31 | LPMODE |

| LOW SPEED SIGNALS zSFP+ | |
|----------------------------|------------|
| PAD | SIGNAL |
| 02 | Tx_Fault |
| 03 | Tx_Disable |
| 04 | SDA |
| 05 | SCL |
| 06 | Mod_ABS |
| 07 | RS0 |
| 08 | Rx_LOS |
| 09 | RS1 |
| 15 | VccR |
| 16 | VccT |

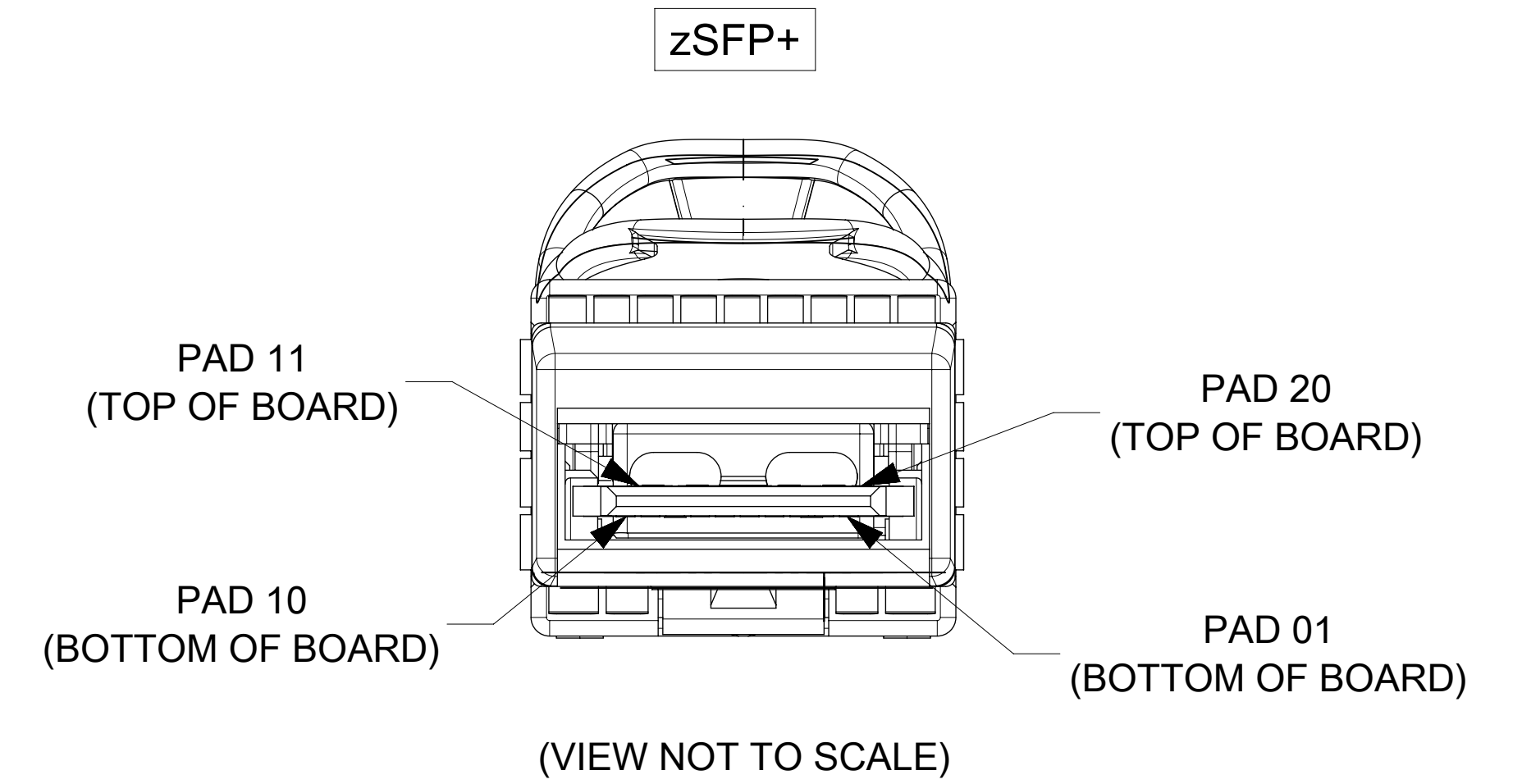
CABLE BEND RADIUS



| CABLE AWG | OD OF CBL BUNDLE | MIN BEND RADIUS (mm) | MIN BEND SPACE (mm) |
|-----------|------------------|----------------------|---------------------|
| 30 | 4.83 | 24 | 56 |
| 26 | 5.8 | 29 | 63 |



| CABLE AWG | OD | MIN BEND RADIUS (mm) | MIN BEND SPACE (mm) |
|-----------|------|----------------------|---------------------|
| 30 | 4.83 | 24 | 42 |
| 26 | 5.80 | 29 | 48 |

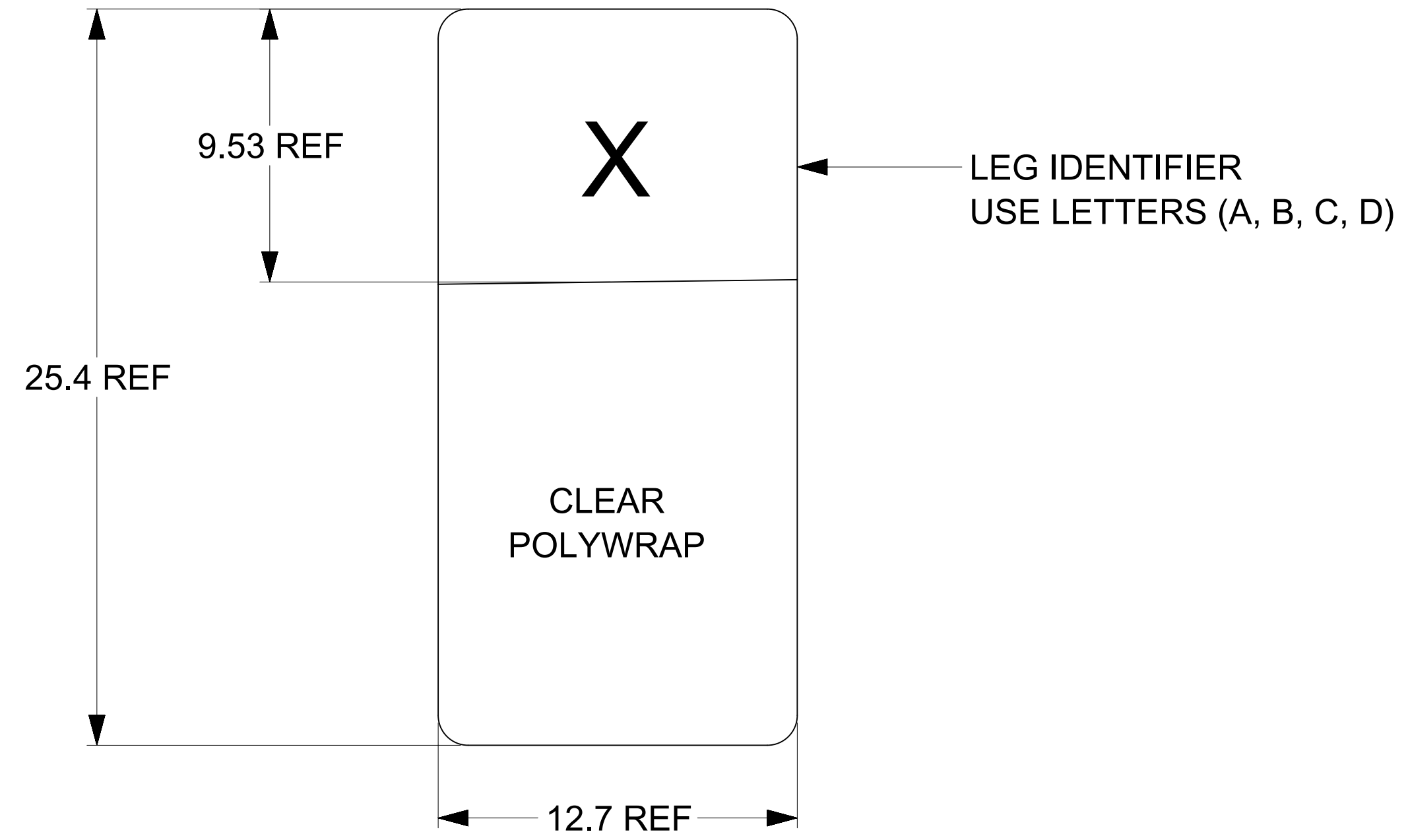


LEGEND:
 ---- = DRAIN LINES
 ---> = TRANSMIT TO RECEIVE ON HIGH SPEED CIRCUITS

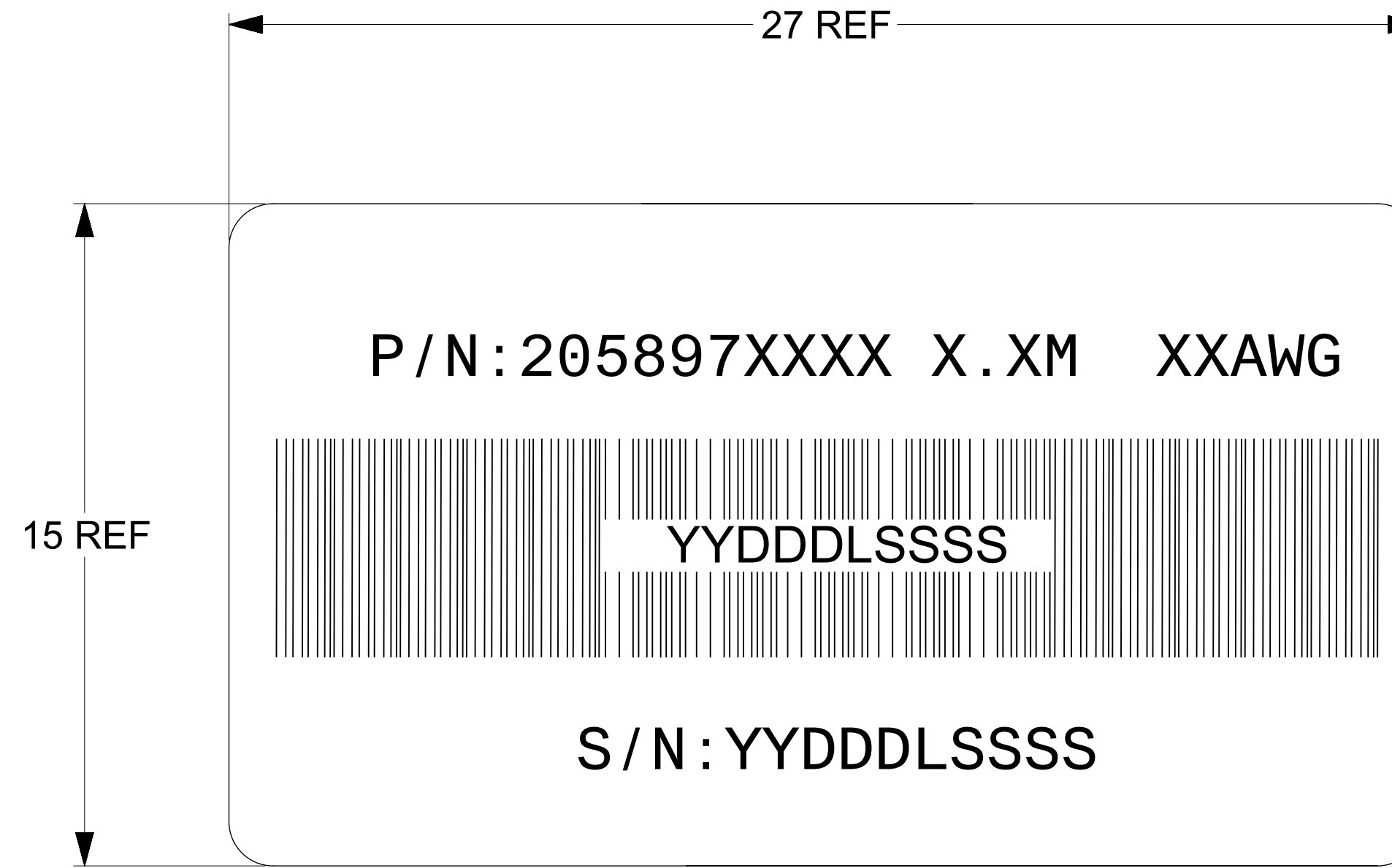
NOTES:
 1. DC BLOCKING CAPS ON RECIEVE SIDE ONLY
 2. CABLE COILED AND PACKAGED IN BEST FIT ESD BAG AND SEALED WITH ESD LABEL FOR SHIPPING.

| | | | | |
|---|---|---|--|--|
| QUALITY SYMBOLS F = 0 E = 0 D = 0 C = 0 B = 0 A = 0 0 = 0 | THIS DRAWING CONTAINS INFORMATION THAT IS PROPRIETARY TO MOLEX ELECTRONIC TECHNOLOGIES, LLC AND SHOULD NOT BE USED WITHOUT WRITTEN PERMISSION | | GENERAL TOLERANCES (UNLESS SPECIFIED) DIMENSION UNITS: mm SCALE: 1:1 ANGULAR TOL ± 1.0 ° | MOLEX ZQSFP+ TO 4ZSFP+ PAM4 56G CBL ASSY |
| | EC NO: 171930 DRWN: SJKG CHKD: SJKG REV APPR: ARAYBURN | 2018/01/29 2018/02/07 2018/02/07 | DRWN BY: SJKG DATE: 2017/10/31 CHKD BY: KNAGANNA DATE: 2017/11/22 APPR BY: EMEDINA02 DATE: 2017/11/22 | PRODUCT CUSTOMER DRAWING SERIES: 205897 MATERIAL NUMBER: SEE P/N TABLE CUSTOMER: GENERAL MARKET |
| ADDED NOTE ON SHEET 1: DRAFT WHERE APPLICABLE MUST REMAIN WITHIN DIMENSIONS | | DRAWING SIZE: D THIRD ANGLE PROJECTION | DOCUMENT NUMBER: 2058971052 DOC TYPE: PSD DOC PART: 000 SHEET NUMBER: 2 OF 3 | |

LEG ID LABEL



CABLE ID LABEL



P/N (SEE P/N TABLE)
 X.XM = LENGTH AS SHOWN IN TABLE
 XXAWG = AWG SIZE

YYDDLSSSS
 YY = LAST TWO DIGITS OF THE YEAR
 DDD = DAY OF THE YEAR
 L = LOCATION
 1 = US
 2 = MEXICO
 3 = CHINA
 4 = PHILIPPINES
 SSSS = (0001-9999)

| | | | | | | | | | | | | |
|---|-----------------------|--|---|--|--|--|---|--|---|---|--|--|
| THIS DRAWING CONTAINS INFORMATION THAT IS PROPRIETARY TO MOLEX ELECTRONIC TECHNOLOGIES, LLC AND SHOULD NOT BE USED WITHOUT WRITTEN PERMISSION | | | | | | | | | | | | |
| QUALITY SYMBOLS F = 0 E = 0 D = 0 C = 0 B = 0 A = 0 0 = 0 | ADDED NOTE ON SHEET 1 | | EC NO: 171930 DRWN: SJKG CHKD: SJKG REV APPR: ARAYBURN | | 2018/01/29 2018/02/07 2018/02/07 | | GENERAL TOLERANCES (UNLESS SPECIFIED) ANGULAR TOL ± 1.0 ° 4 PLACES ± 3 PLACES ± 2 PLACES ± 0.13 1 PLACE ± 0.25 0 PLACES ± | | DIMENSION UNITS: mm SCALE: 1:1 | | DRWN BY: SJKG DATE: 2017/10/31 | |
| | | | | | | | CHKD BY: KNAGANNA DATE: 2017/11/22 | | | | APPR BY: EMEDINA02 DATE: 2017/11/22 | |
| | | | | | | | DRAFT WHERE APPLICABLE MUST REMAIN WITHIN DIMENSIONS | | DRAWING SIZE: D THIRD ANGLE PROJECTION | | SERIES: 205897 MATERIAL NUMBER: SEE P/N TABLE CUSTOMER: GENERAL MARKET | |
| | | | | | | | | | | | PRODUCT CUSTOMER DRAWING | |
| RELEASE STATUS: P1 RELEASE DATE: 2018/02/07 16:39:25 | | | | | | | | | | DOCUMENT NUMBER: 2058971052 DOC TYPE: PSD DOC PART: 000 SHEET NUMBER: 3 OF 3 | | |



ZQSFP+ TO 4ZSFP+ PAM4 56G CBL ASSY

PRODUCT CUSTOMER DRAWING