

4

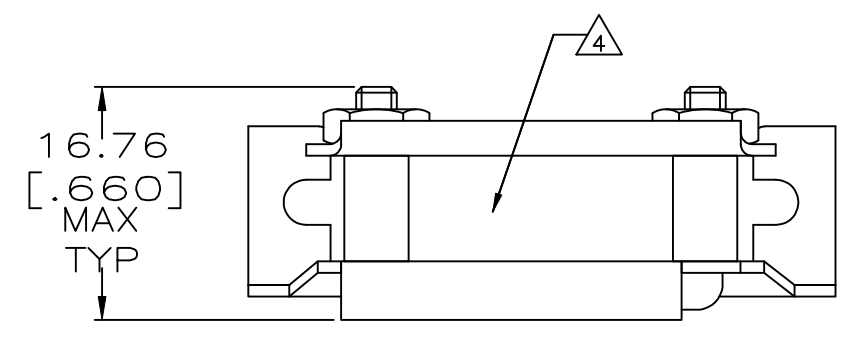
3

2

1

THIS DRAWING IS UNPUBLISHED. RELEASED FOR PUBLICATION  
 © COPYRIGHT - TE Connectivity Ltd. ALL RIGHTS RESERVED.

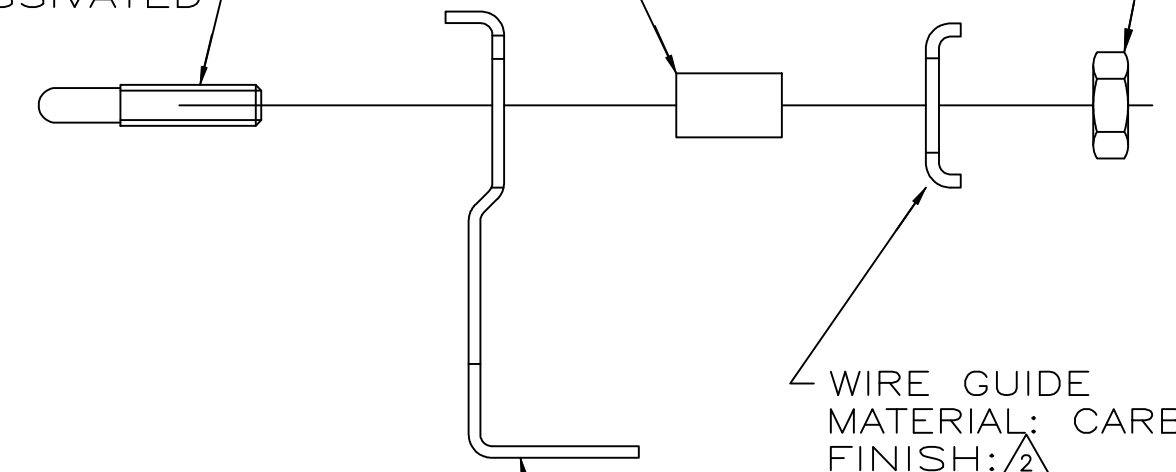
REVISIONS				
P	LTR	DESCRIPTION	DATE	APVD
G		REVISED PER ECO-08-031035	15DEC08	HMR GS
H		REVISED PER ECO-18-017239	02NOV2018	RS MZ



PROTECTIVE SLEEVE  
 MATERIAL: POLYVINYL CHLORIDE  
 COLOR: BLACK  
 2 EA

U BOLT  
 MATERIAL:  $\triangle 1$   
 FINISH: PASSIVATED

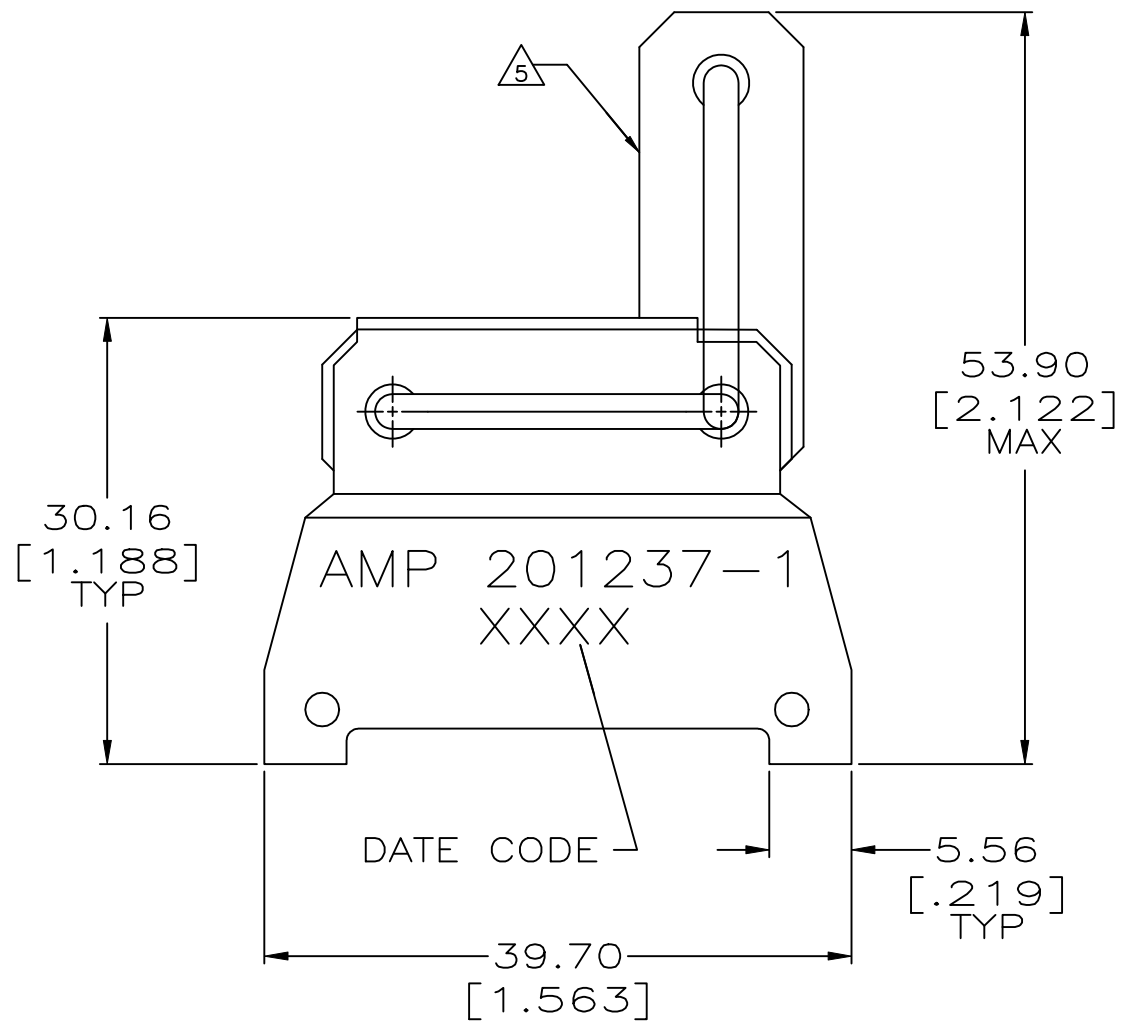
HEX NUT, 4-40 UNC  
 MATERIAL: CARBON STEEL  
 FINISH:  $\triangle 3$   
 2 EA



BRACKET  
 MATERIAL: STAINLESS STEEL

WIRE GUIDE  
 MATERIAL: CARBON STEEL  
 FINISH:  $\triangle 2$

- $\triangle 1$  STAINLESS STEEL PER QQ-S-763.
- $\triangle 2$  5.08um[.000200] MIN NICKEL.
- $\triangle 3$  ZINC PER ASTM-B-633.
- $\triangle 4$  161.29 SQ mm[.250 SQ IN] MAX CLAMP AREA.
- $\triangle 5$  ALTERNATE POSITION OF CABLE CLAMP FOR 90° CABLE OUTLET.



ASSEMBLED VIEW

	201237-2
OBSOLETE	201237-1
	PART NUMBER

THIS DRAWING IS A CONTROLLED DOCUMENT.		DWN C. REIFSNYDER 18 APR 96	TE Connectivity Ltd.	
		CHK R. STONE 24 MAY 96		
DIMENSIONS: mm [INCHES]		APVD G. STEINHAUER 21 JUN 96	NAME CLAMP KIT, UNASSEMBLED, STRAIN RELIEF, 20 PLACE, M SERIES	
		PRODUCT SPEC -	APPLICATION SPEC -	
TOLERANCES UNLESS OTHERWISE SPECIFIED:		WEIGHT -	SIZE A3	CAGE CODE 00779
0 PLC ± - 1 PLC ± - 2 PLC ± 0.38[.015] 3 PLC ± - 4 PLC ± - ANGLES ± -		CUSTOMER DRAWING	DRAWING NO C=201237	RESTRICTED TO -
MATERIAL SEE CALLOUTS			SCALE 2:1	SHEET 1 of 1
				REV H