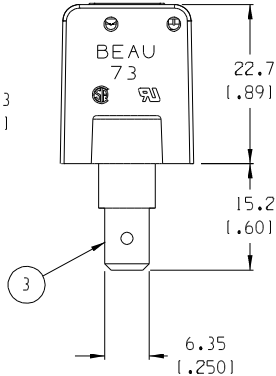
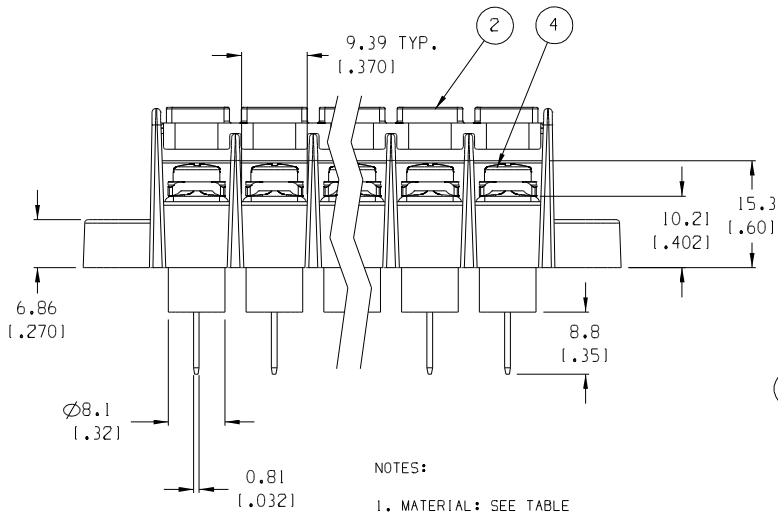


5 CIRCUIT SHOWN



NOTES:

1. MATERIAL: SEE TABLE
2. FINISHES: SEE TABLE
3. PRODUCT SPECIFICATION: NOT REQUIRED
4. PACKAGING: NOT REQUIRED
5. MATES WITH: NONE
6. "XX" REFERS TO THE QUANTITY OF CIRCUITS.

# OF CIRC.	DIM. "A"	DIM. "B"	DIM. "C"	DIM. "D"	ASSEMBLY MATERIAL NO.	
02	43.5	11.711	11.11 1.4381	33.34 1.3131	24.5 1.971	387390588
03	54.6	12.151	22.23 1.8751	44.45 1.7501	35.7 1.401	
04	65.7	12.591	33.34 1.3131	55.56 2.1881	46.8 1.841	
05	76.8	13.031	44.45 1.7501	66.68 2.6251	57.9 2.281	
06	87.9	13.461	55.56 2.1881	77.79 3.0631	69.0 2.721	
07	99.1	13.901	66.68 2.6251	88.90 3.5001	80.1 3.151	
08	110.2	14.341	77.79 3.0631	100.01 3.9381	91.2 3.591	
09	121.3	14.781	88.90 3.5001	111.13 4.3751	102.3 4.031	
10	132.4	15.211	100.01 3.9381	122.24 4.8131	113.4 4.471	
11	143.5	15.651	111.13 4.3751	133.35 5.2501	124.6 4.901	
12	154.6	16.091	122.24 4.8131	144.46 5.6881	135.7 5.341	
13	165.7	16.531	133.35 5.2501	155.58 6.1251	146.8 5.781	
14	176.8	16.961	144.46 5.6881	166.69 6.5631	157.9 6.221	
15	188.0	17.401	155.58 6.1251	177.80 7.0001	169.0 6.651	
16	199.1	17.841	166.69 6.5631	188.91 7.4381	180.1 7.091	
17	210.2	18.281	177.80 7.0001	200.03 7.8751	191.2 7.531	
18	221.3	18.711	188.91 7.4381	211.14 8.3131	202.3 7.971	
19	232.4	19.151	200.03 7.8751	222.25 8.7501	213.5 8.401	
20	243.5	19.591	211.14 8.3131	233.36 9.1881	224.6 8.841	

ITEM	QTY.	DESCRIPTION	MATERIAL	FINISH
4	XX	SCREW, #6-32, PHIL-SLOT, SQ. WASHER	BRASS	NICKEL PLATE
3	XX	TERMINAL, FAST TAB	BRASS	TIN PLATE
2	1	COVER, HINGED	THERMOPLASTIC	BLACK
1	1	INSULATOR, SR, CS, NO MTG.	THERMOPLASTIC	BLACK

EC NO. RELEASED DRAWN: CLY CH: K1 APPR:	DESCRIPTION MAJOR CRITICAL SPC S	GENERAL TOLERANCES: (UNLESS SPECIFIED)	SCALE 1.5:1 DESIGN UNITS DRAWN BY & DATE C. YORK 02-16-05	THIRD ANGLE PROJECTION	DIMENSIONS: <input checked="" type="checkbox"/> mm <input type="checkbox"/> INCH <input type="checkbox"/> mm <input type="checkbox"/> INCH <input type="checkbox"/> mm ONLY	PROJECT NO. - - SHT REV REVISE ON CAD ONLY		
		4 PLACES ±.0015 3 PLACES ±.038 ±.005 2 PLACES ±.13 ±.01 1 PLACE ±.3	CHECKED BY & DATE APPROVED BY & DATE	TITLE: SR BTS, CS, INSUL. FAST TAB, ASSY W/HINGED COVER	CAD FILENAME 73R9XX-H-49-50	MATERIAL NO. SEE CHART	DRAWING NO. SD-38739-012	SHEET NO. 1 OF 1
		ANGULAR: ±2°	DRAFT WHERE APPLICABLE MUST REMAIN WITHIN DIMENSIONS	THIS DRAWING CONTAINS INFORMATION THAT IS PROPRIETARY TO MOLEX INCORPORATED AND SHOULD NOT BE USED WITHOUT WRITTEN PERMISSION.	MOLEX INCORPORATED	SIZE B		
		A						