

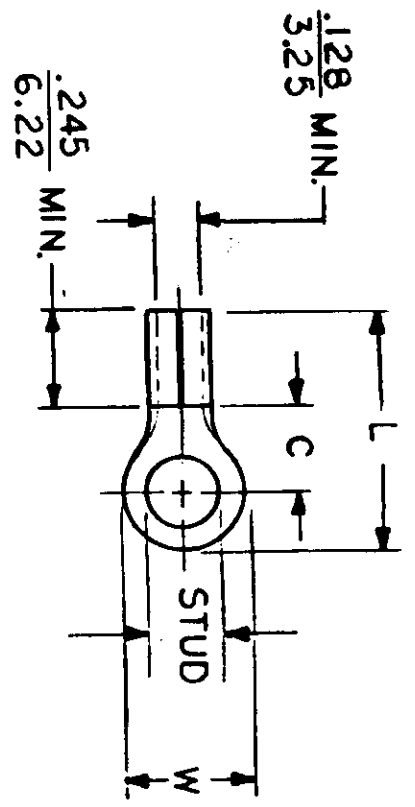
NOTES:

① MAT'L: PURE NICKEL
 PLATING: NONE

STUD SIZES: (\pm .005)

- 02 = .094 209 = .209
- 04 = .119 413 = .413
- 06 = .146
- 08 = .173
- 10 = .198
- 14 = .265
- 56 = .328
- 38 = .390

ALL DIMENSIONS = INCHES
M M



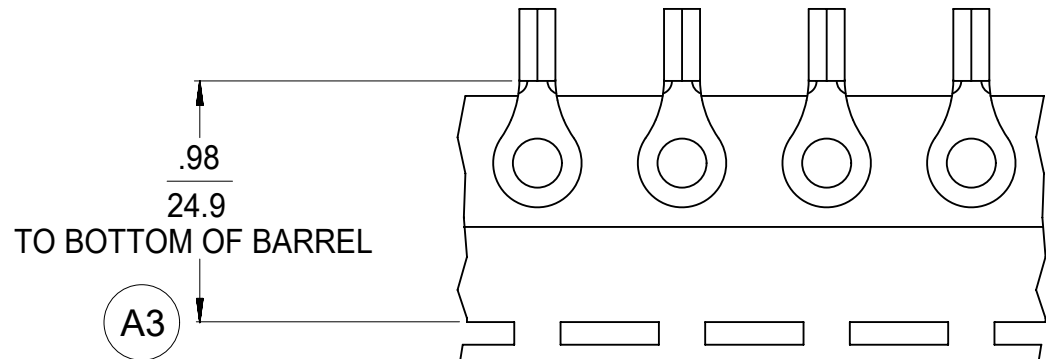
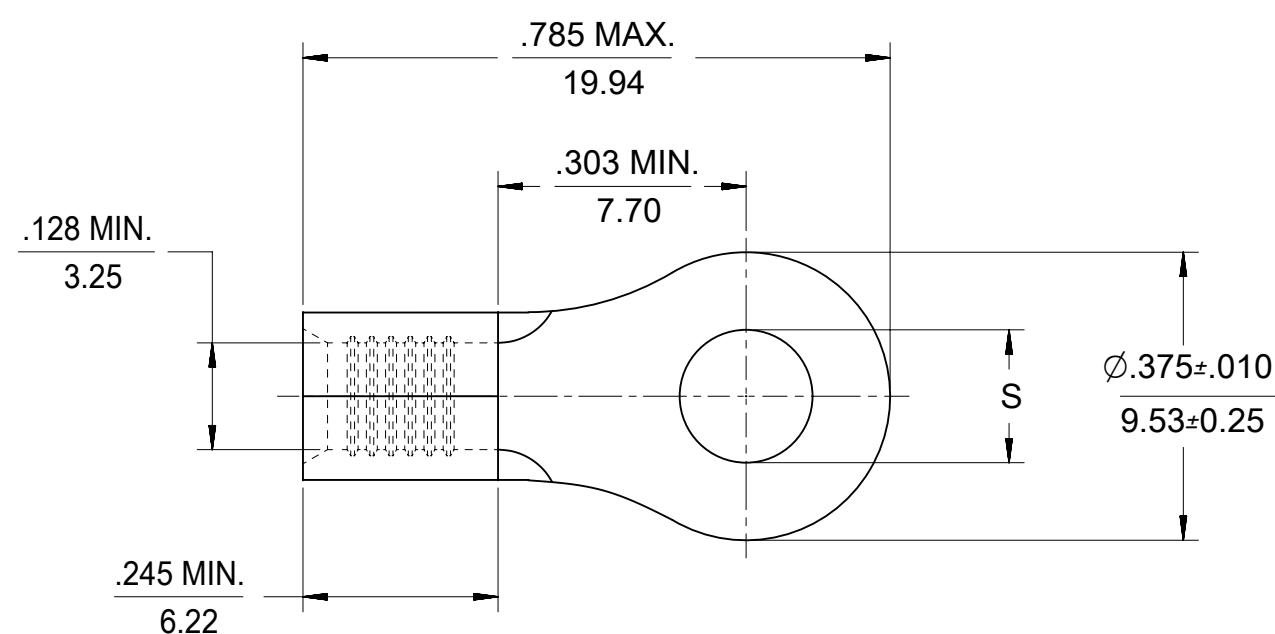
WIRE SIZE: 12-10 AWG
 40-6.0 MM²

PART NUMBER	"W"	"C"	"L"	SCALE:	NTS	DATE	TITLE: TEMP. TERM (1200°)	AVAILABLE STUD SIZES	DIMENSIONAL TOLERANCES UNLESS OTHERWISE SPECIFIED					
									FRAC.	DEC.	ANG.			
135	$\frac{.750}{19.05}$	$\frac{.611}{15.52}$	$\frac{1.280}{32.51}$					14, 56, 38, 76, 12						
C-U-128-	$\frac{.375}{9.53}$	$\frac{.303}{7.70}$	$\frac{.785}{19.94}$					04, 06, 08, 10, 209						
C-U-130-	$\frac{.530}{13.46}$	$\frac{.393}{9.98}$	$\frac{.952}{24.18}$					10, 14, 56, 38						
135	$\frac{.282}{7.16}$	$\frac{.306}{7.77}$	$\frac{.741}{18.82}$					04, 06, 08						
C-U-140-	$\frac{.592}{15.04}$	$\frac{.468}{11.89}$	$\frac{1.056}{26.82}$					10, 14, 56, 38, 209, 413						

FILE NO. C-CD-101-04

DWG. NO. **A** CUSTOMER DWG.

MAT'L NO. (LOOSE PIECE)	ENG. NO.	MAT'L NO. (TAPE MOUNTED)	ENG. NO.	STUD SIZE	"S" ±.005 (0.13)	STOCK THICKNESS	FINISH
190690200	C-128-04	190690147	C-128-04T	4	.126 (3.20)	COPPER .040 (1.02)	SEE NOTE 1
190690202	C-128-06	-----	-----	6	.146 (3.71)		
190690205	C-128-08	190690208	C-128-08T	8	.173 (4.39)		
190690209	C-128-10	190690212	C-128-10T	10	.198 (5.03)		
190690215	C-128-209	-----	-----	209	.209 (5.18)	NICKEL .038 (0.97)	NONE
192030159	C-U-128-06	-----	-----	6	.146 (3.71)		
192030160	C-U-128-08	-----	-----	8	.173 (4.39)		
192030113	C-U-128-10	192030114	C-U-128-10T	10	.198 (5.03)		
190690682	C-128-10-AU	-----	-----	10	.198 (5.03)	COPPER .040 (1.02)	SEE NOTE 2



- NOTES:
1. FINISH: TIN PLATING, 100(2.5)µin(µm) MIN
 2. FINISH: GOLD, 50(1.25)µin(µm) MIN. OVER NICKEL, 50(1.25)µin(µm) MIN. PLATING.
 3. WIRE SIZE: 12-10 AWG, 4.0-6.0 MM²
 3. PARTS ARE RoHS COMPLIANT.

SYMBOLS		THIS DRAWING CONTAINS INFORMATION THAT IS PROPRIETARY TO MOLEX ELECTRONIC TECHNOLOGIES, LLC AND SHOULD NOT BE USED WITHOUT WRITTEN PERMISSION	
▽ = 0	DIMENSION UNITS	SCALE	CURRENT REV DESC:
▽ = 0	INCH/MM	1:1	
▽ = 0	GENERAL TOLERANCES (UNLESS SPECIFIED)		
▽ = 0		MM	INCH
▽ = 0	4 PLACES ±	±	EC NO: 626861
▽ = 0	3 PLACES ±	±	DRWN: DMYRICK 2019/11/05
▽ = 0	2 PLACES ±	±	CHK'D: JMACNEIL 2019/11/06
▽ = 0	1 PLACE ±	±	APPR: JMACNEIL 2019/11/06
▽ = 0	0 PLACES ±	±	INITIAL REVISION:
▽ = 0	ANGULAR TOL ± °		DRWN:
▽ = 0			APPR:
▽ = 0	DRAFT WHERE APPLICABLE MUST REMAIN WITHIN DIMENSIONS	THIRD ANGLE PROJECTION	DRAWING
▽ = 0			SERIES
			MATERIAL NUMBER
			CUSTOMER
			SHEET NUMBER

molex

RING TONGUE TERMINAL
KRIMPTITE, 128 SERIES 12-10 AWG

PRODUCT CUSTOMER DRAWING

DOCUMENT NUMBER: SD-19069-020
DOC TYPE: PSD
DOC PART: 001
REVISION: A3

MATERIAL NUMBER: 19069
CUSTOMER: GENERAL MARKET
SHEET NUMBER: 1 OF 1