



Product Change Notification

Date Issued :	March 16, 2023	PCN Number :	513456
Reason for Change :	Capacity change or tool replacement		
Description of Change :	This notification is to inform you about replacement tooling being added for Molex Lincoln Nebraska to meet the current and future demands of this product referenced below. There will be no changes in the fit, form or function of product when compared to the existing tooling.		
Assessment of Change :	First Article Inspection SPC / Capability Studies		
Planned Implementation Date :	September 18, 2023		
Sample Availability Date:	August 01, 2023		
Internal Molex Qualification Date :	August 01, 2023		
Last date to request Samples by Customer :	August 25, 2023		
Traceability Code Markings / Date :	Product made after planned implementation date can contain the change		

Before Picture

■ 30069

— Mini-Fit Vertical Header

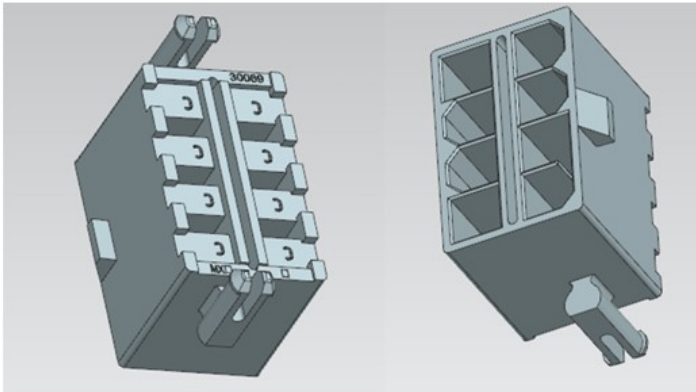


Photo is used as representation of product only. Mini-Fit Vertical Headers may come in different circuit sizes and colors

After Picture

Overview

- To ensure exceptional quality, Molex Lincoln, Nebraska is going to replace tooling which produces the affected part numbers
 - New tooling will be an exact replica of current tooling
 - Tooling being added to keep up with current and future demand
- There is NO impact to Fit, Form or Function
- Samples available upon request after date shown above
- Part Numbers Impacted
 - See attached list

RELEASED

You may address inquires regarding this PCN by clicking on the below link
mailto:pcn_coordinator@molex.com?subject=PCN_Notification:513456
or contact your Local Sales Engineer.

Note: While responding, please retain " PCN Notification : **PCN Notification: 513456** " in the e-mail Subject line for faster response.

[Molex, LLC](#)
2222 Wellington Court
Lisle, IL 60532
TEL (800) 786-6539
www.molex.com

Part numbers affected:

15-97-7043
15-97-7083
15-97-7103
15-97-7123